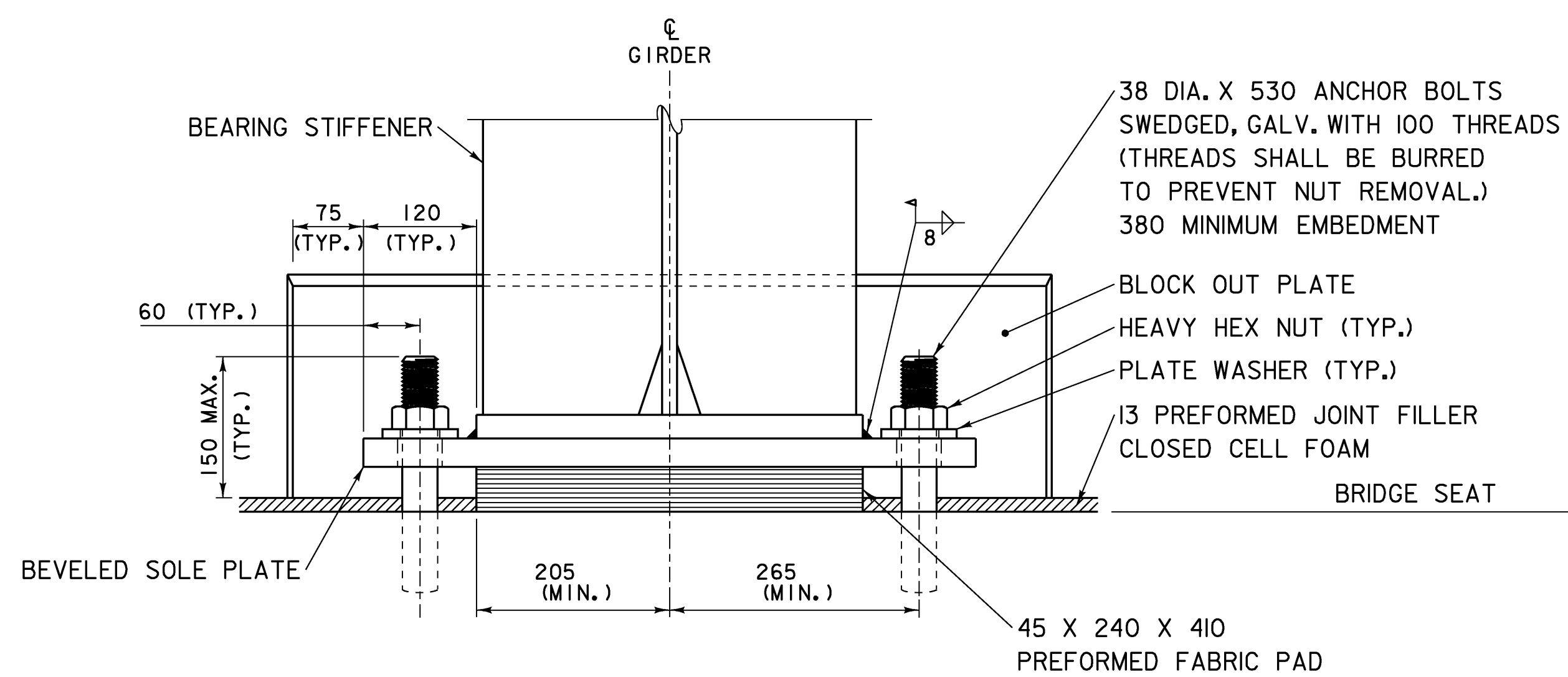
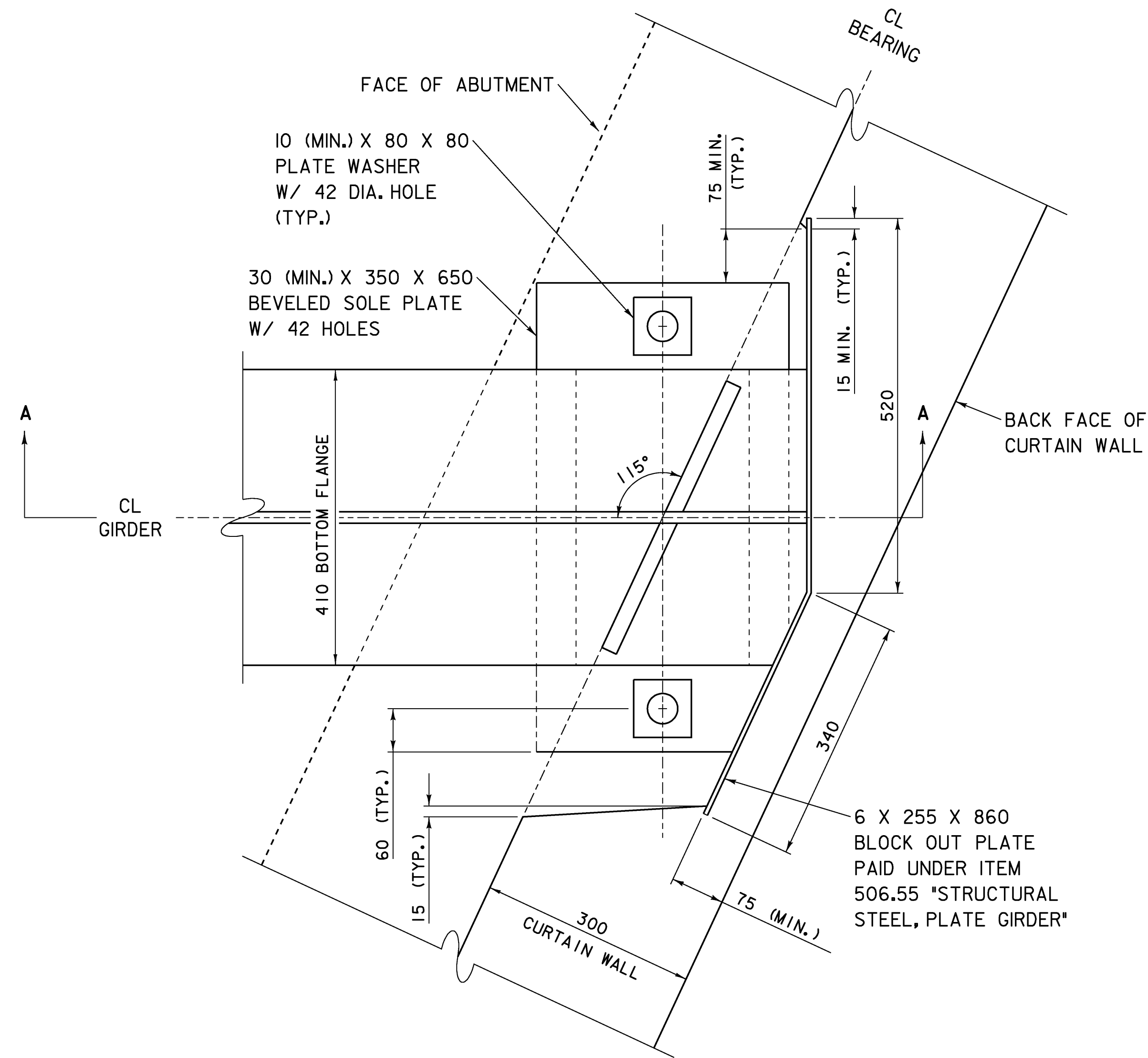
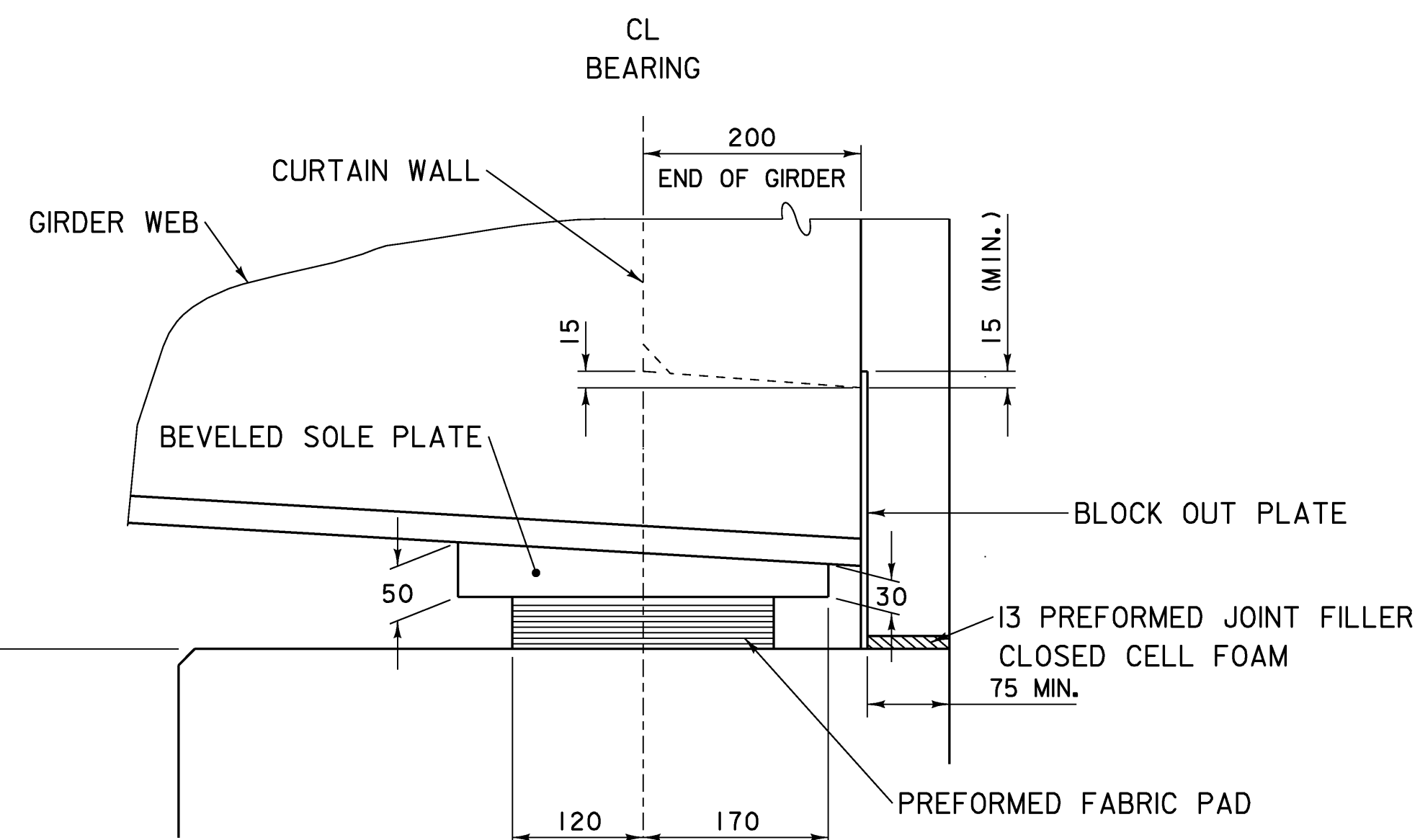
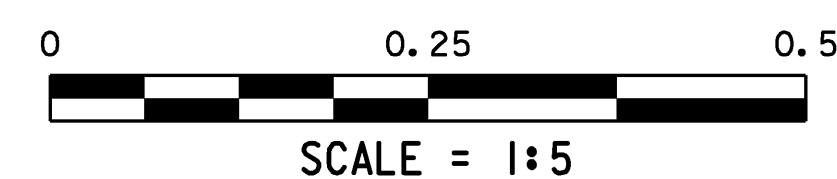


SOLE PLATE DETAIL



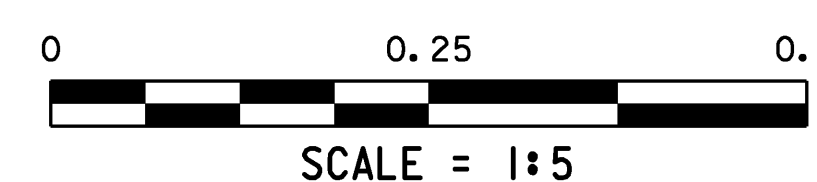
FRONT ELEVATION

PLAN VIEW



SECTION A-A

FIXED BEARING @ ABUTMENT NO. 2



SUPERSTRUCTURE BEARING DETAILS 2

PROJECT NAME: LINCOLN	PLOT DATE: 03-FEB-2009
PROJECT NUMBER: BRO 1445(25)	DRAWN BY: C. MOONEY
FILE NAME: s96j266str.dgn	CHECKED BY: R. WHITCOMB
PROJECT LEADER: R. WHITCOMB	SHEET 35 OF 58
DESIGNED BY: S. SCRIBNER	
SUPERSTRUCTURE BEARING DETAILS 2	