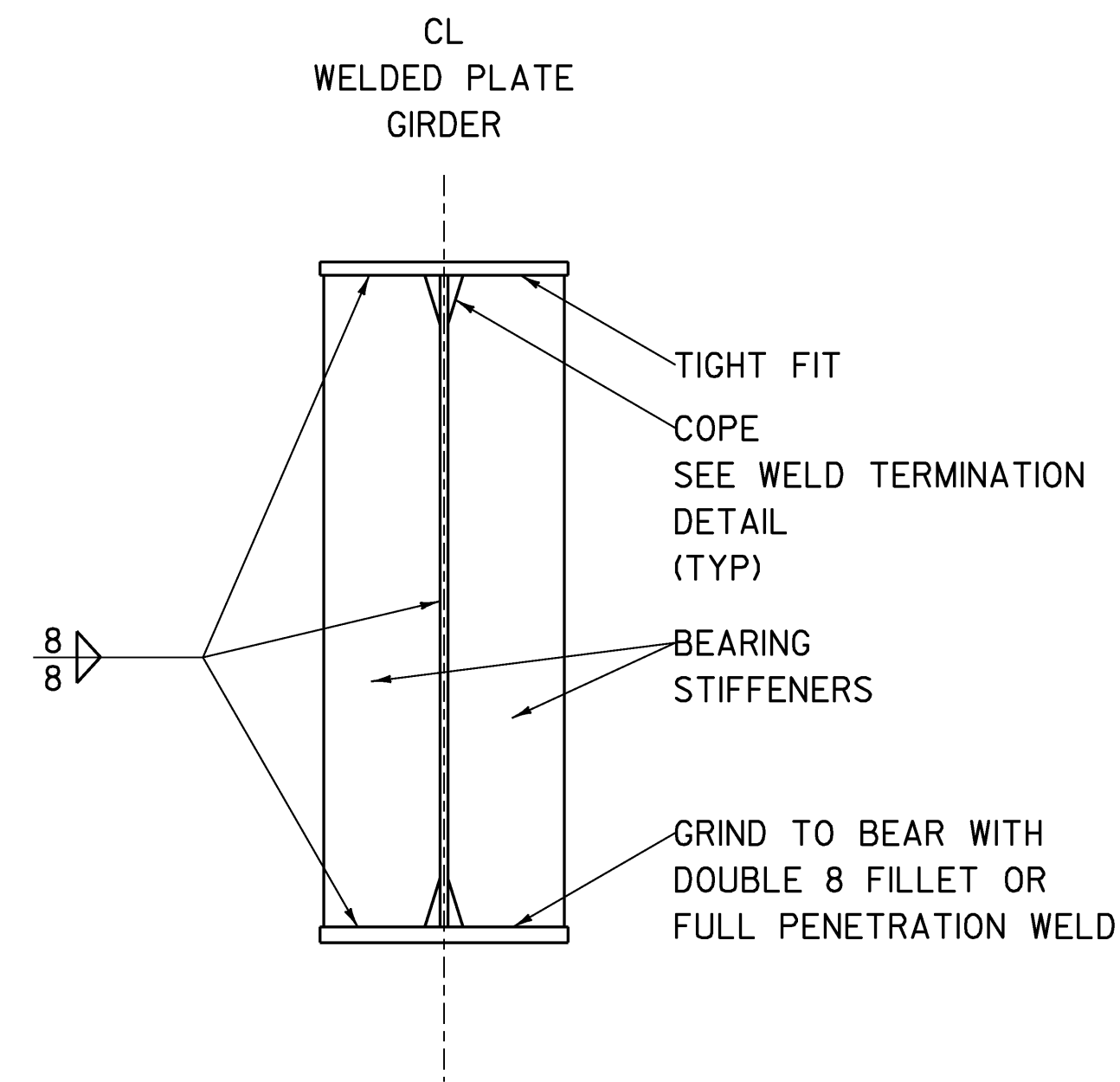


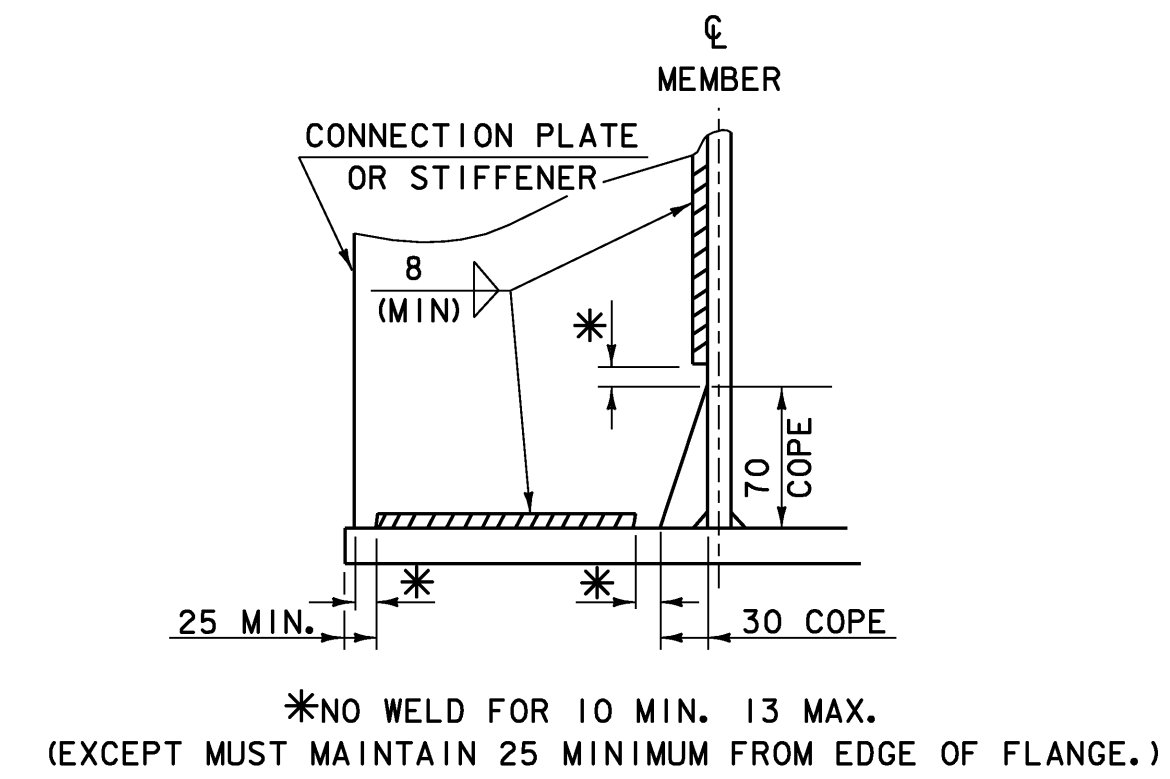
**INTERMEDIATE CONNECTION  
PLATES FOR WELDED PLATE GIRDERS**

NOT TO SCALE



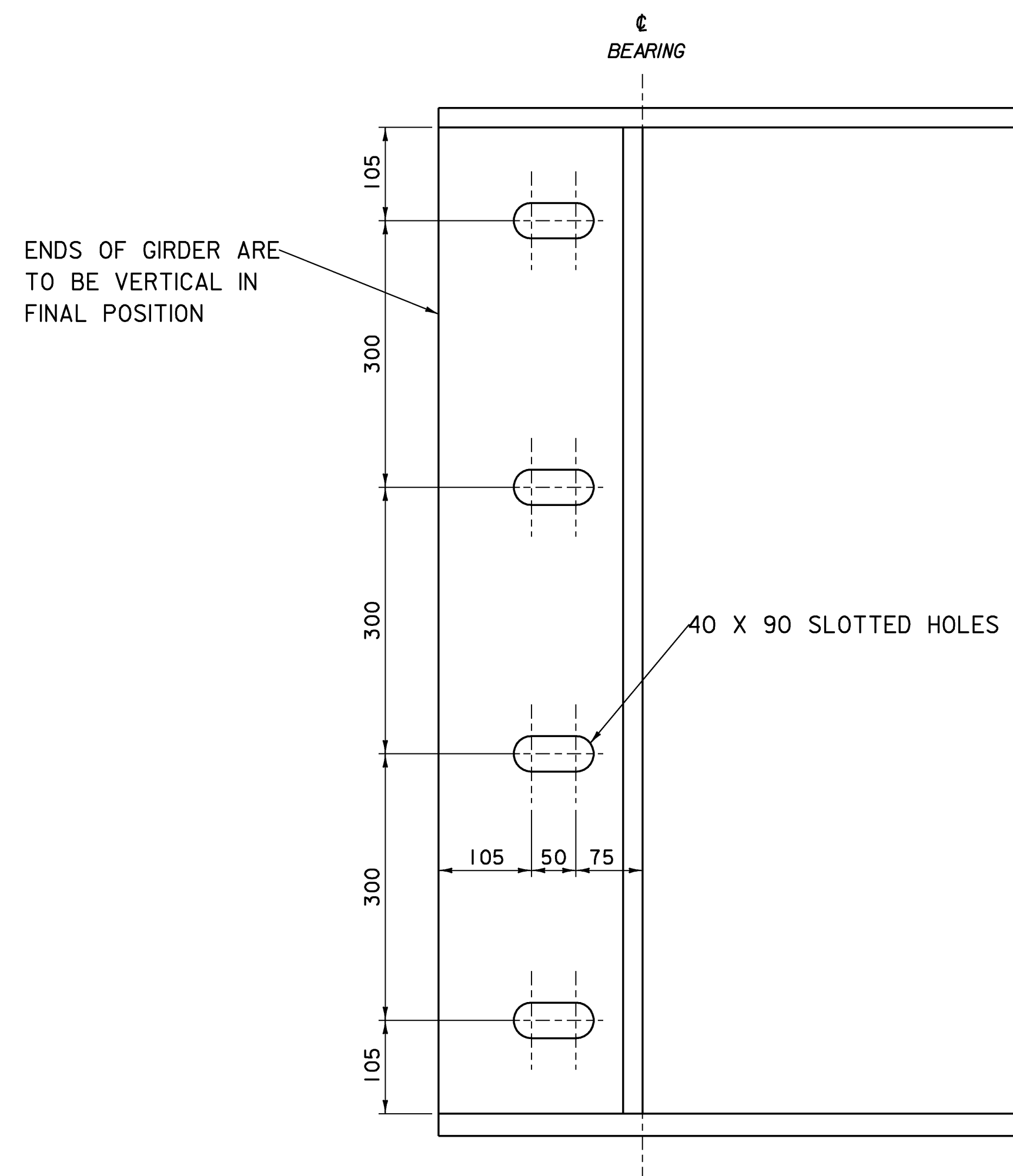
**ABUTMENT BEARING STIFFENERS  
FOR WELDED PLATE GIRDERS**

NOT TO SCALE



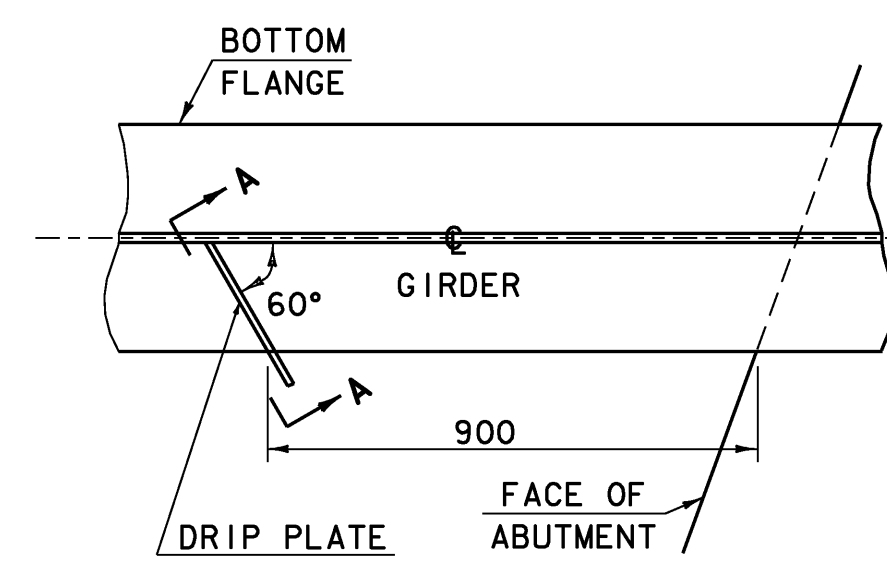
**WELD TERMINATION AND COPING  
DETAILS FOR STEEL MEMBERS**

NOT TO SCALE



**ELEVATION VIEW END OF STEEL  
MEMBER AT ABUTMENT**

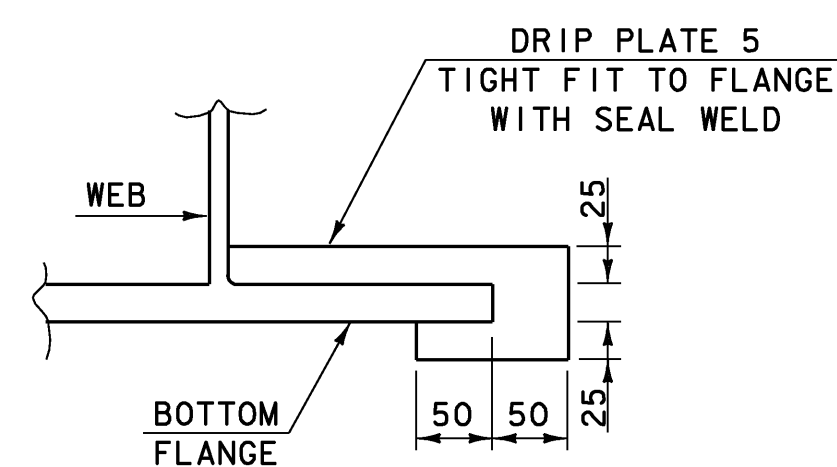
NOT TO SCALE



**PLAN DRIP PLATE**

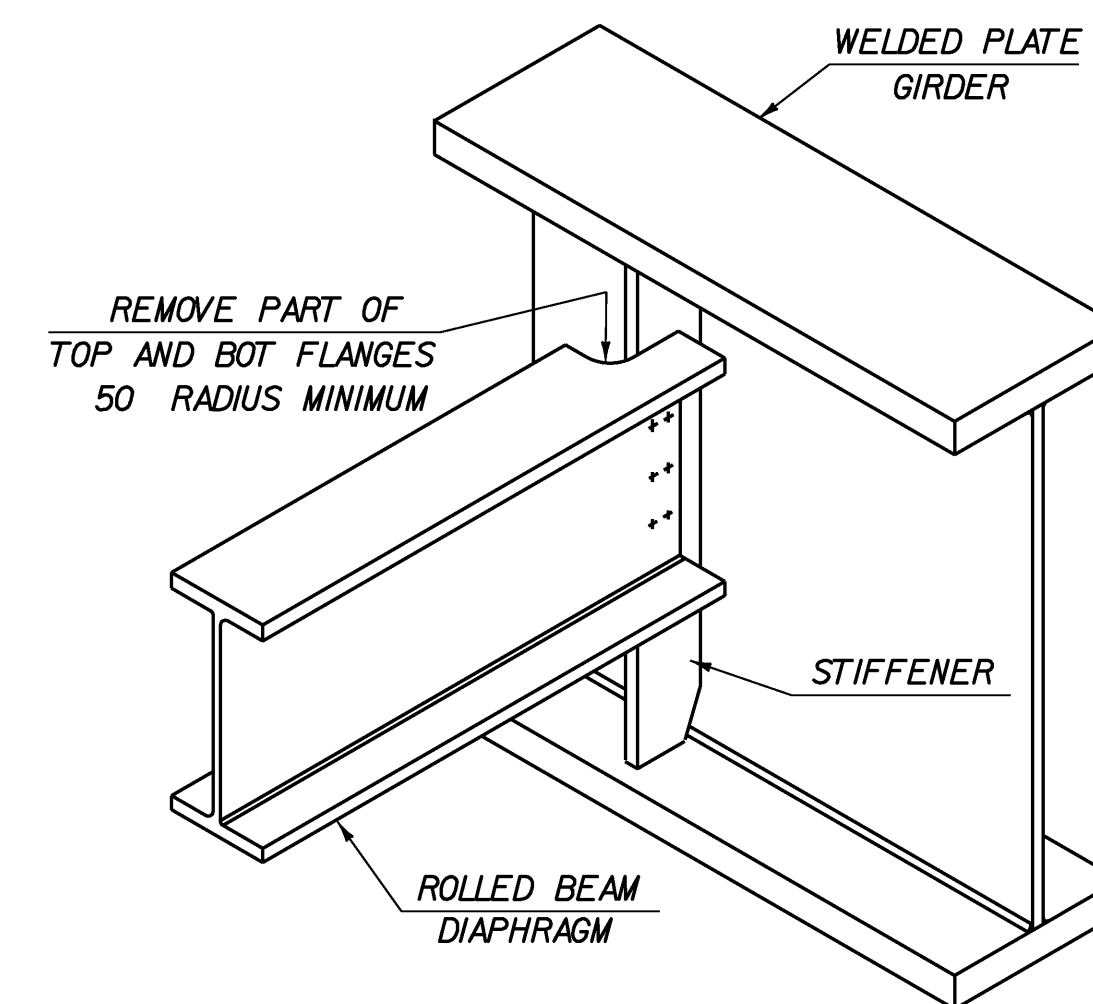
NOT TO SCALE

NOTE: DRIP PLATES SHALL BE PLACED ON OUTSIDE EDGE OF THE TWO FASCIA GIRDERS ON EACH END OF THE BRIDGE, FOUR DRIP PLATES TOTAL.



**SECTION A - A**

NOT TO SCALE



**ROLLED BEAM USED AS DIAPHRAGM**

NOT TO SCALE

**SUPERSTRUCTURE  
FRAMING DETAILS**

PROJECT NAME: LINCOLN	PLOT DATE: 29-JAN-2009
PROJECT NUMBER: BRO 1445(25)	DRAWN BY: C. MOONEY
FILE NAME: s96j266str.dgn	CHECKED BY: R. WHITCOMB
PROJECT LEADER: R. WHITCOMB	SHEET 33 OF 58
DESIGNED BY: S. SCRIBNER	
SUPERSTRUCTURE FRAMING DETAILS	