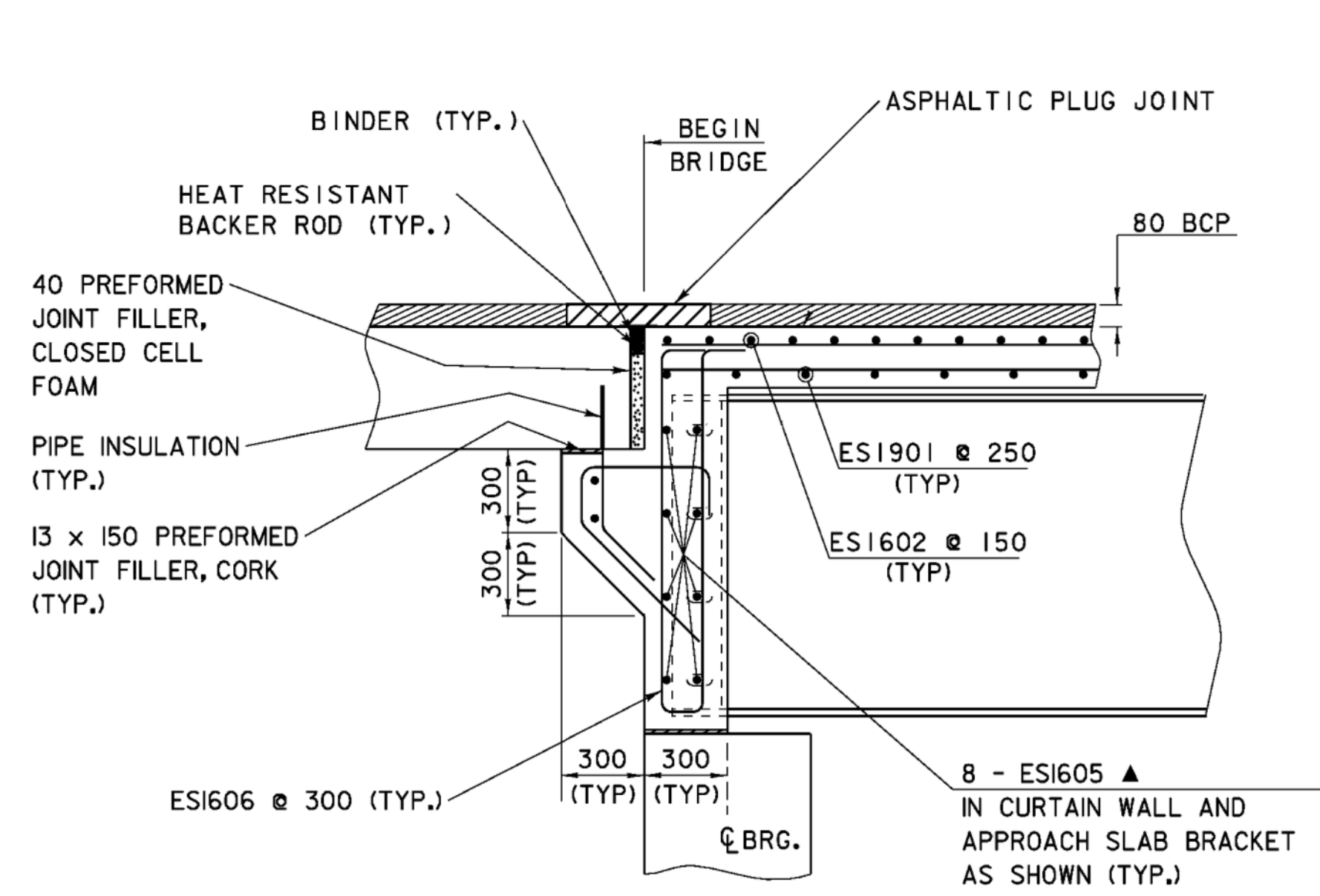


DETAIL "A"
 0 0.5 1
 SCALE = 1:10

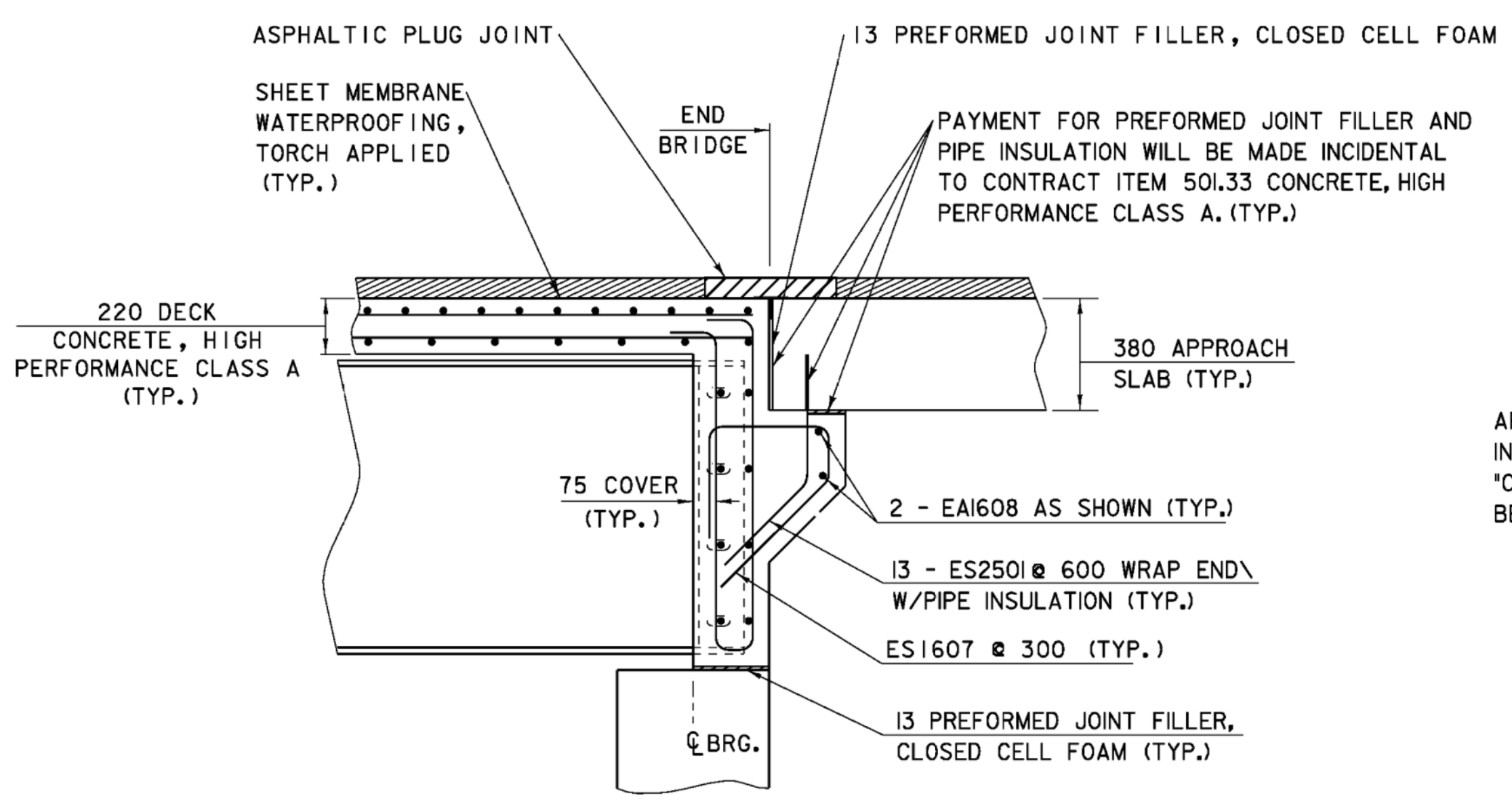
BRIDGE TYPICAL SECTION

0 1 2
 SCALE = 1:20

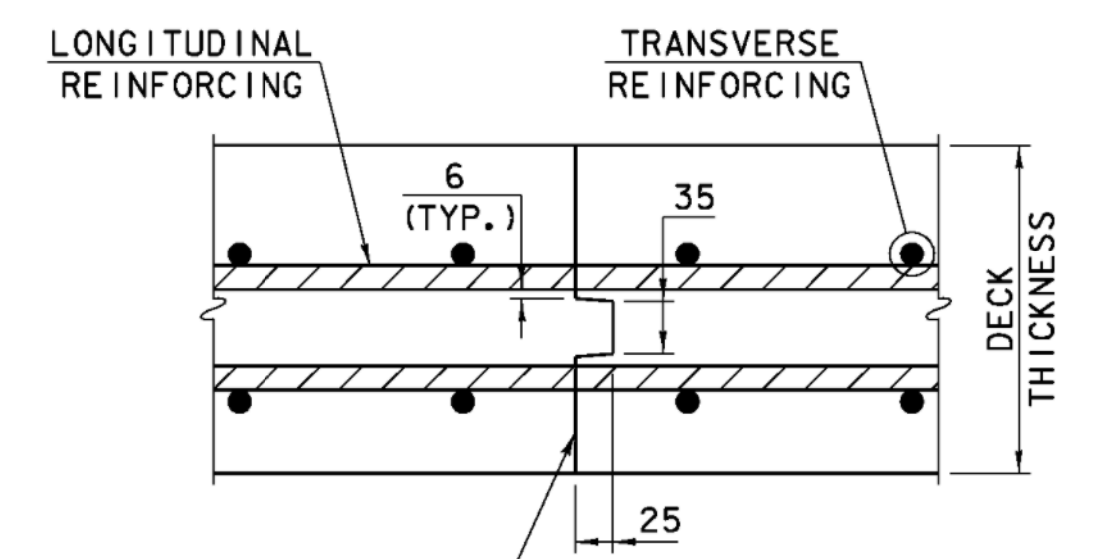
* BCP = SPECIAL PROVISION (BITUMINOUS CONCRETE PAVEMENT, SMALL QUANTITY)



ABUTMENT NO. 1



ABUTMENT NO. 2



APPLY EPOXY BONDING COMPOUND INCIDENTAL TO ITEM 501.33, "CONCRETE, HIGH PERFORMANCE CLASS A" BEFORE PLACING NEW CONCRETE.

TRANSVERSE BRIDGE DECK CONSTRUCTION JOINT DETAILS

0 0.25 0.5
 SCALE = 1:5

ABUTMENT END DETAILS

0 1 2
 SCALE = 1:20

NOTES:

- NF = NEAR FACE
- FF = FAR FACE
- EF = EACH FACE
- ▲ = CUT TO FIT IN FIELD
- 75 COVER UNLESS OTHERWISE SPECIFIED ON THE PLANS.
- 660 MIN. LAP SPLICE UNLESS OTHERWISE SPECIFIED ON THE PLANS.

SUPERSTRUCTURE TYPICAL SECTIONS

| | | | |
|---------------------------------|----------------|----------------|-------------|
| PROJECT NAME: | LINCOLN | PLOT DATE: | 03-FEB-2009 |
| PROJECT NUMBER: | BRO 1445(25) | DRAWN BY: | C. MOONEY |
| FILE NAME: | s96j266str.dgn | DESIGNED BY: | S. SCRIBNER |
| PROJECT LEADER: | R. WHITCOMB | CHECKED BY: | R. WHITCOMB |
| SUPERSTRUCTURE TYPICAL SECTIONS | | SHEET 29 OF 58 | |