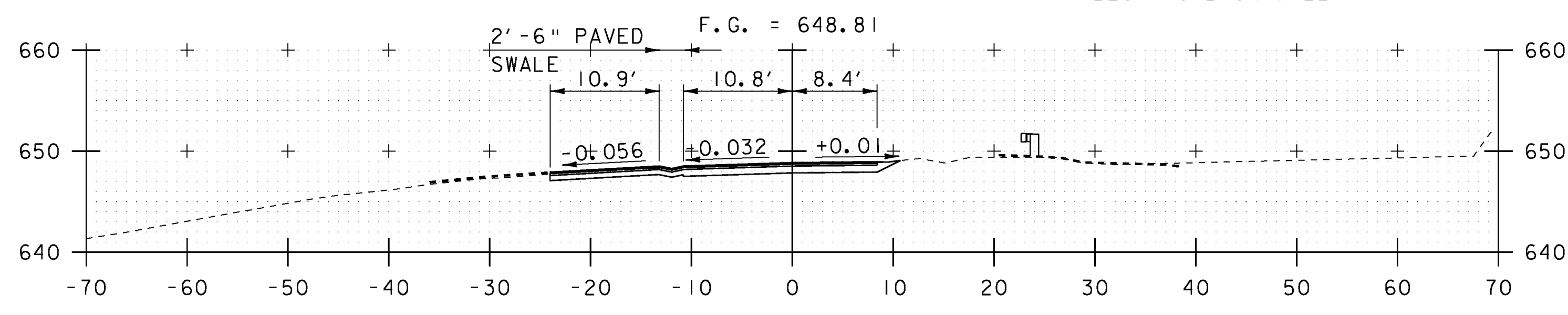


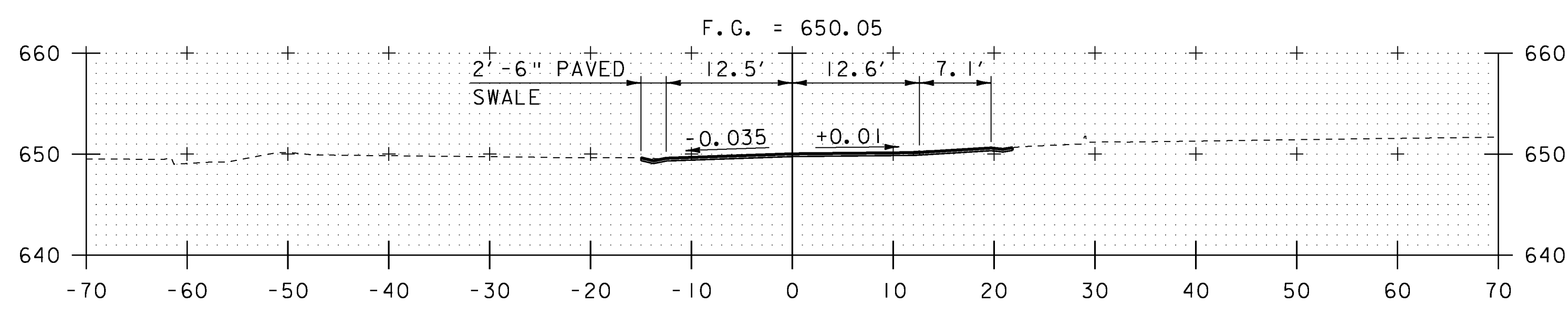
STA. 10+81.00
BEGIN GABION WALL

10+75

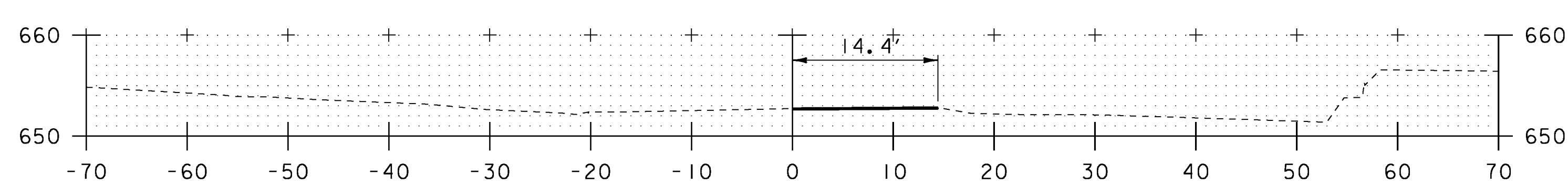
STA. 10+75.00
BEGIN PROJECT
BEGIN GABION WALL



10+67 (DRIVEWAY SECTION)

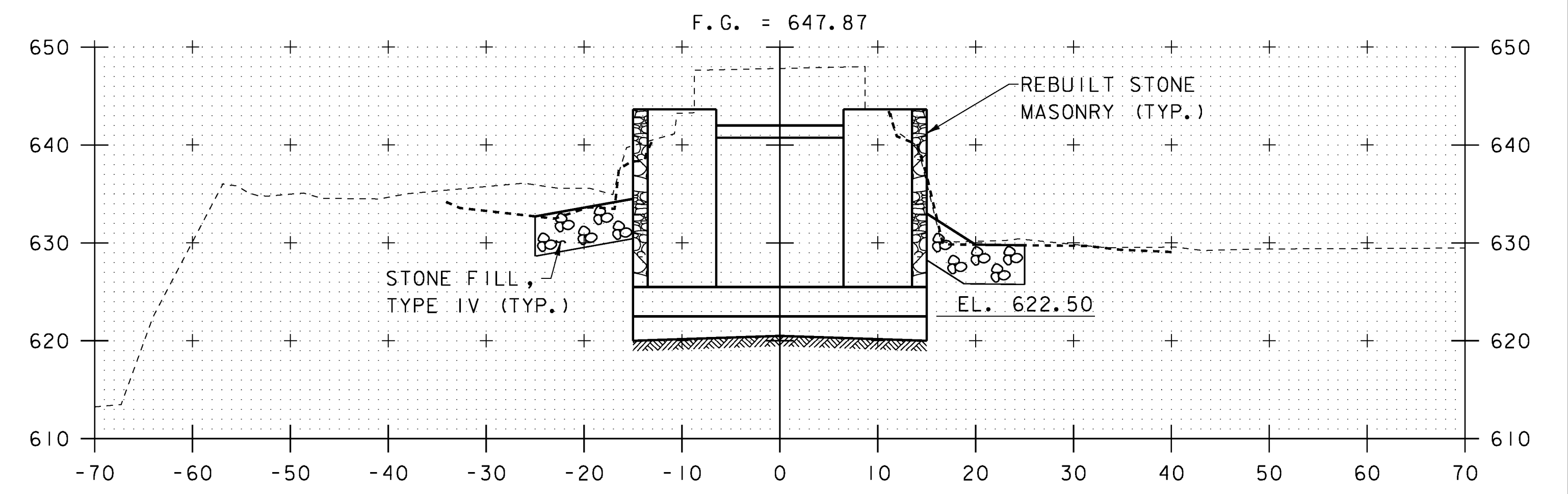


10+50



10+25

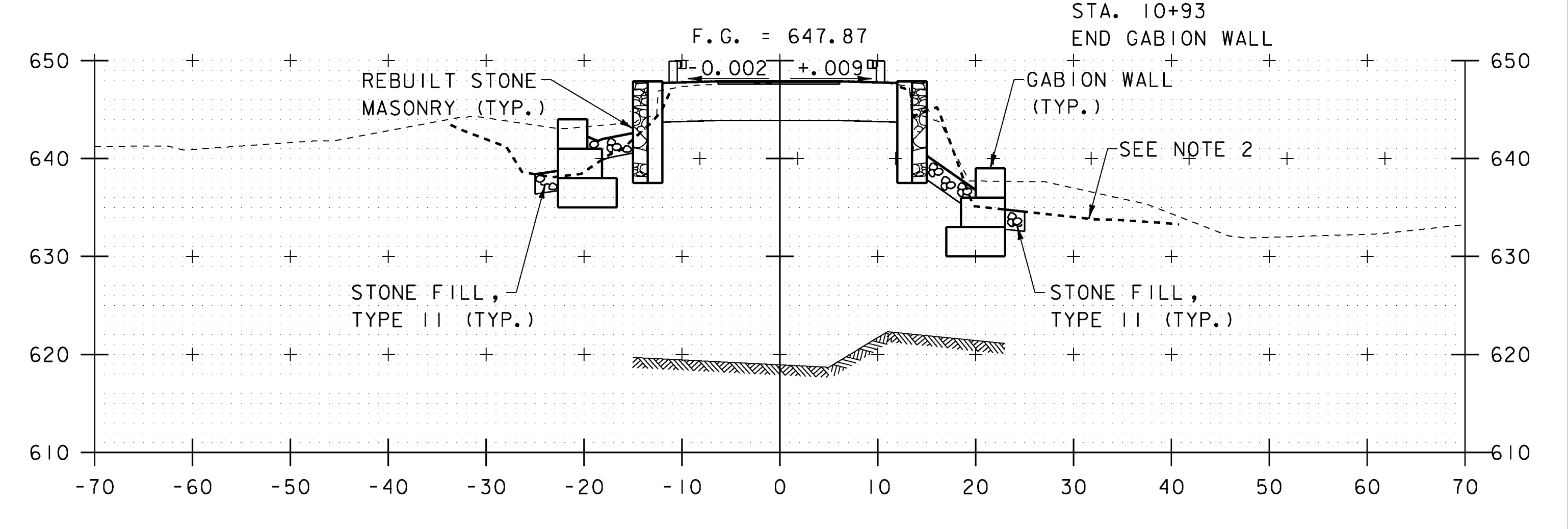
STA. 10+25.00
BEGIN APPROACH
MATCH EXISTING



STA. 10+93
END GABION WALL

11+00

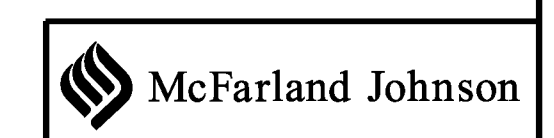
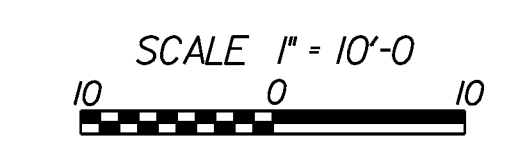
STA. 10+91.43
BEGIN BRIDGE



10+90

NOTES

1. THE EXISTING TOPOGRAPHY AND CHANNEL FEATURES DEPICTED ON THIS SHEET WERE OBTAINED PRIOR TO FLOODING AND DO NOT REFLECT CURRENT CONDITIONS.
2. THE BOLD DASHED LINES REPRESENT THE FINDINGS OF A PARTIAL POST-FLOOD SURVEY OF EXISTING CONDITIONS CONDUCTED IN JANUARY 2012.



PROJECT NAME: WOODSTOCK	WOODSTOCK
PROJECT NUMBER: BHO 1444(52)	ST 1444(58)
FILE NAME: z96j262xsl.dgn	PLOT DATE: 29-JUN-2012
PROJECT LEADER: M.Sargent	DRAWN BY: P. Dustin
DESIGNED BY: P. Dustin	CHECKED BY: R. Joy
ROADWAY CROSS SECTIONS (1 OF 2)	SHEET 64 OF 68