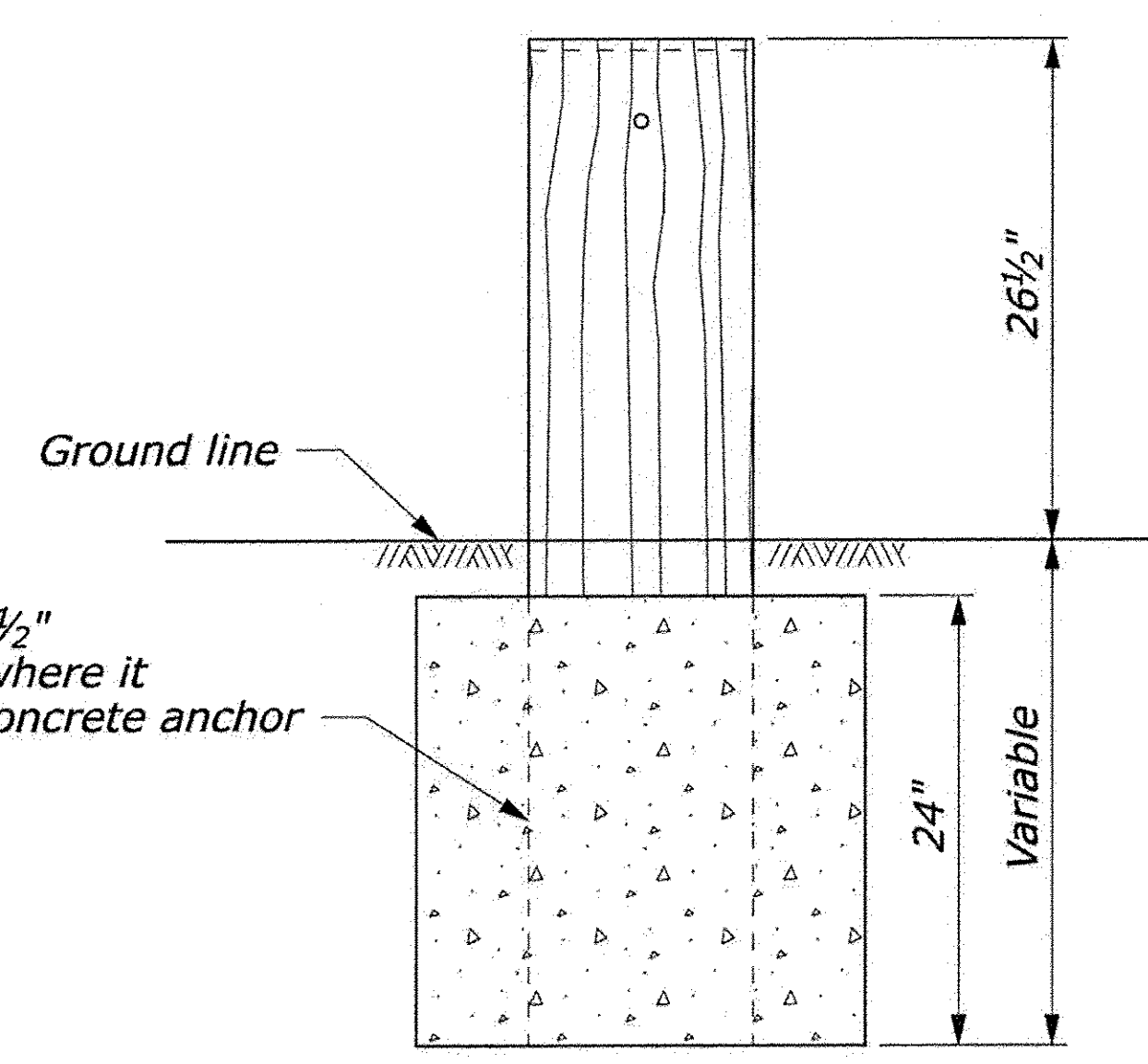
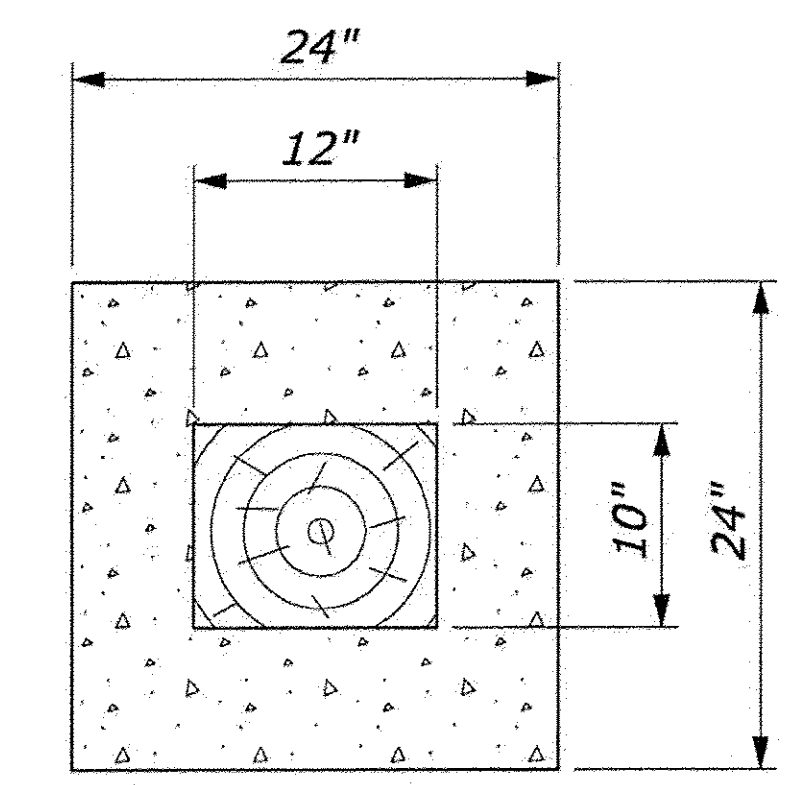
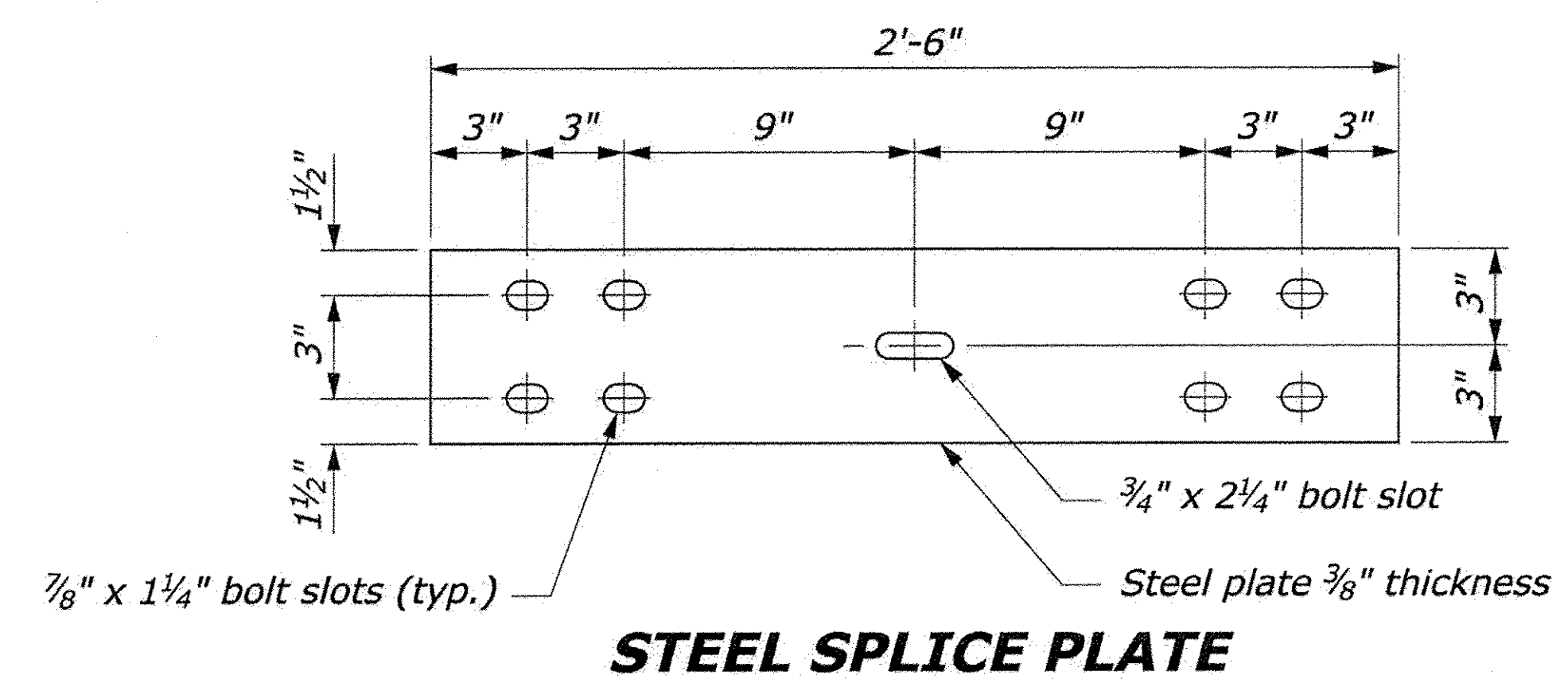
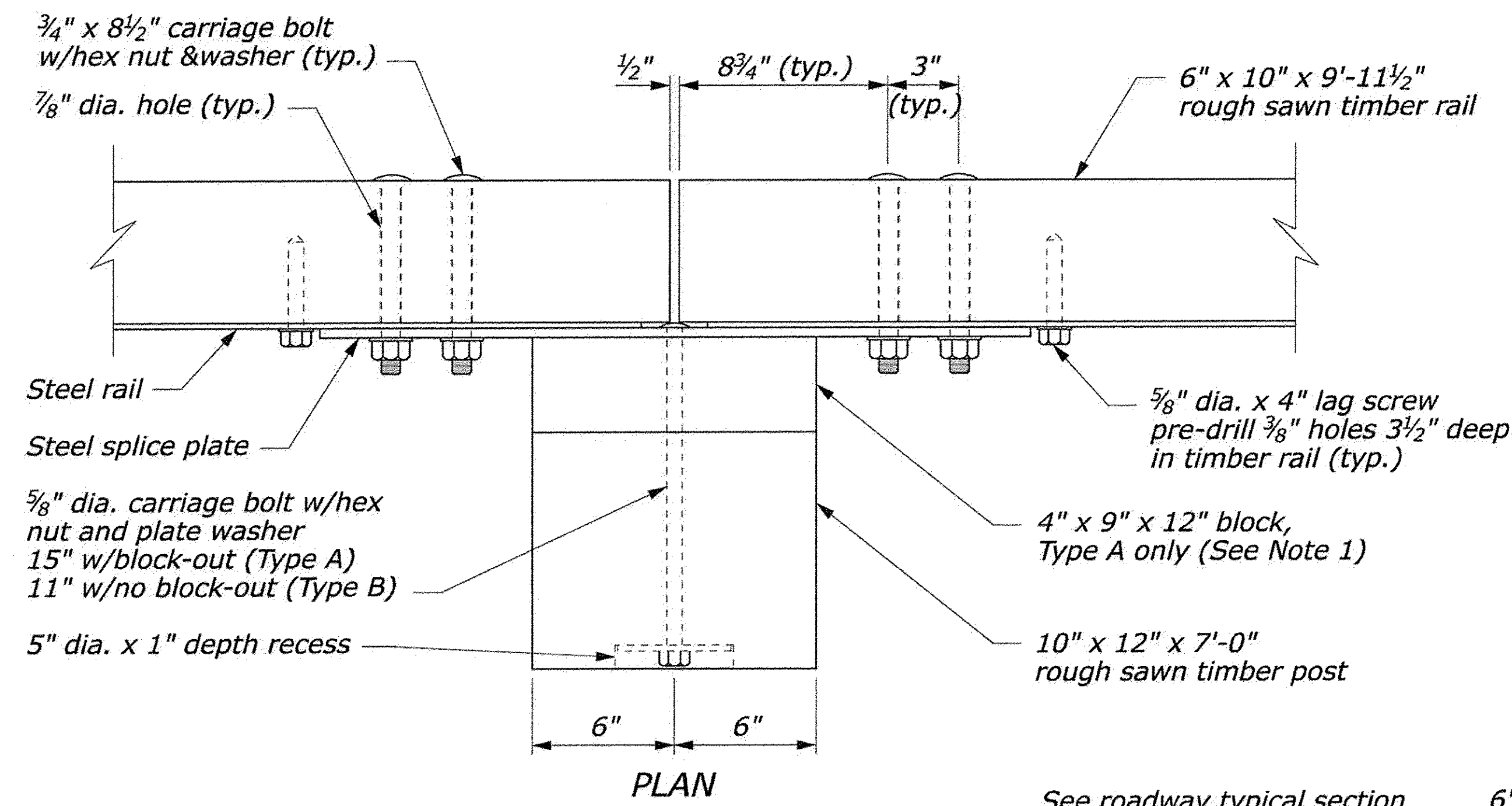
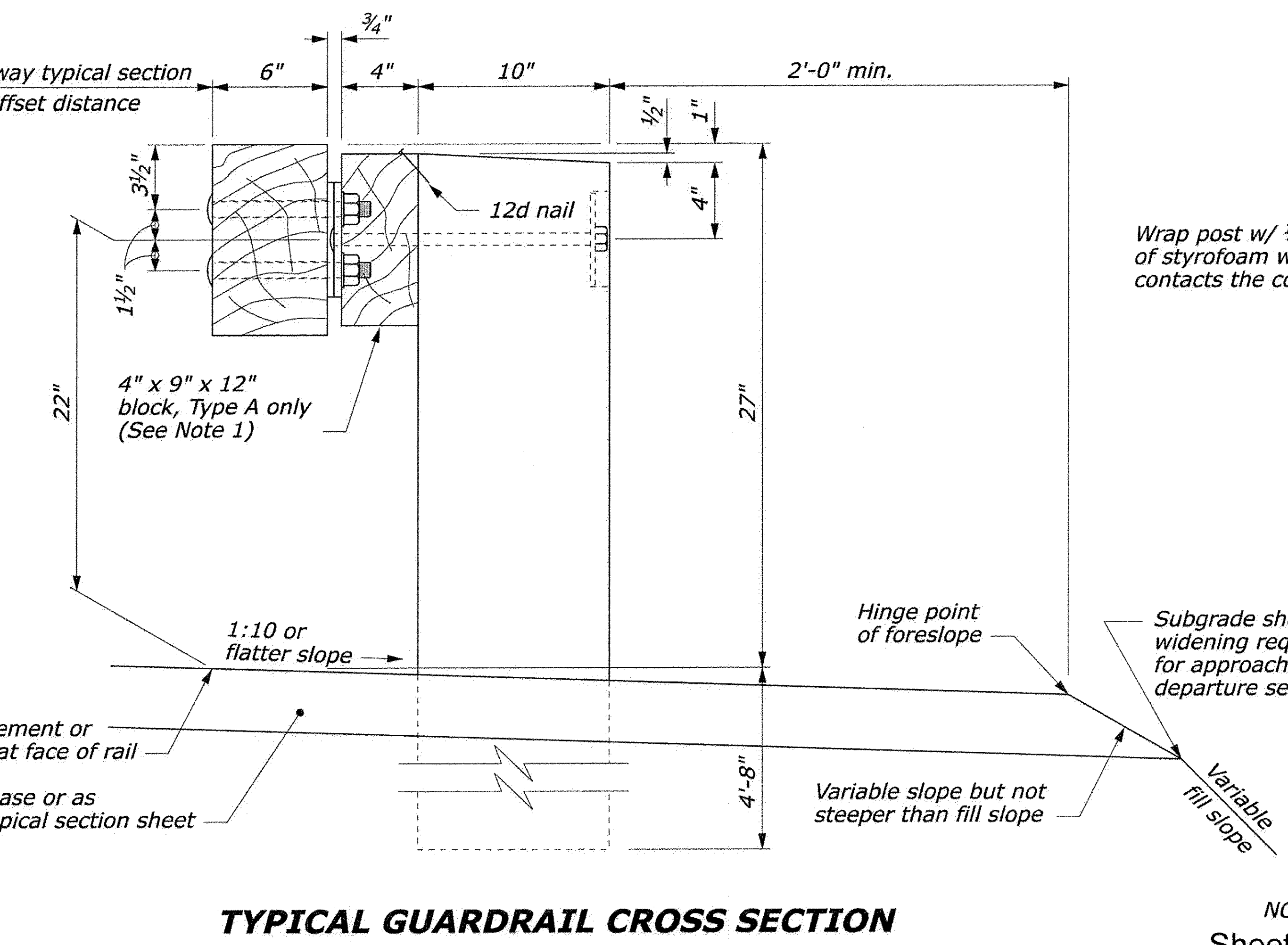
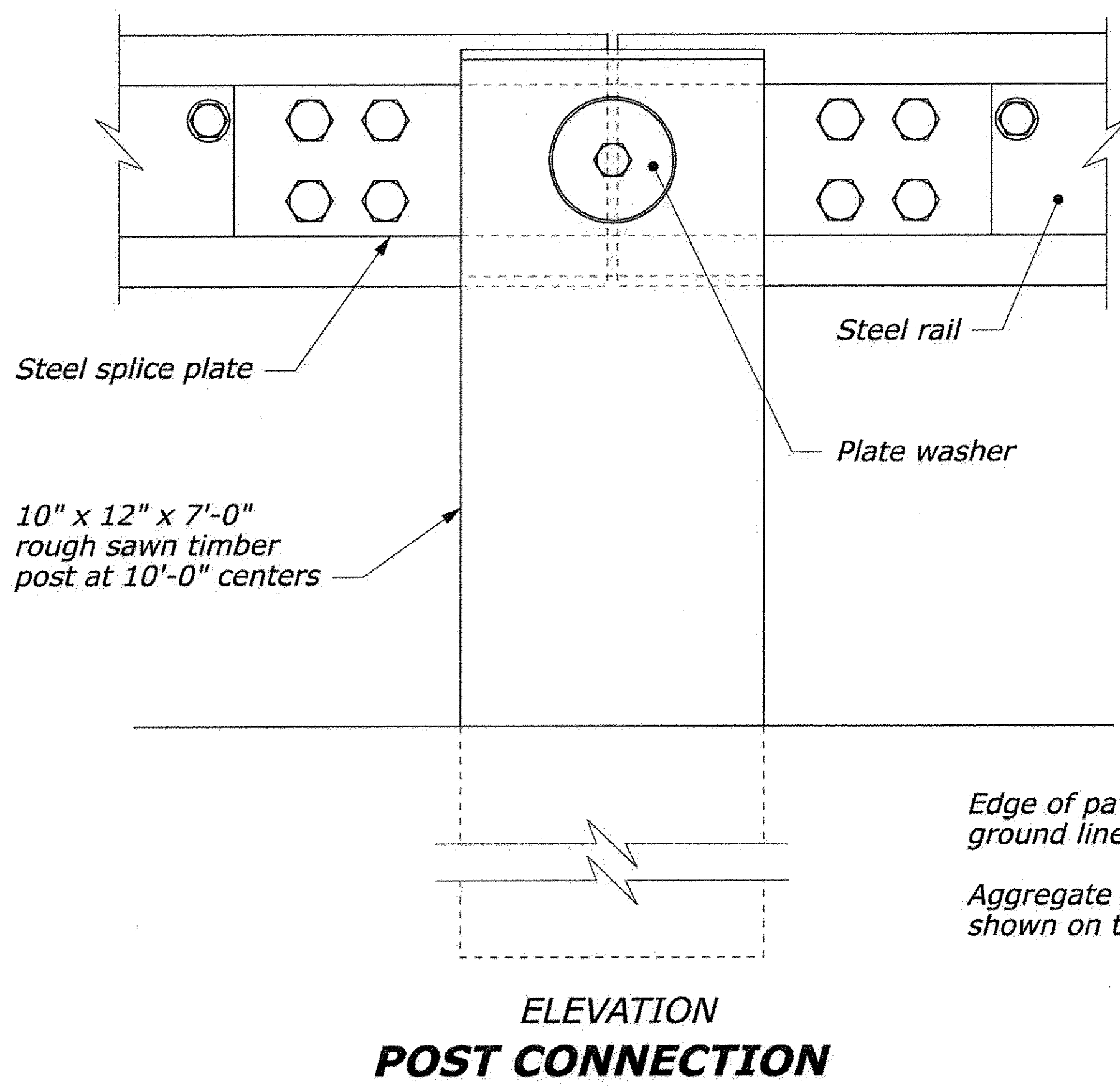


- NOTE:**
1. Use the Type A, blocked-out, system or the Type B, non-blocked-out, system as specified in the plans.
 2. Place a terminal section (See Standards 617-61 at northeast approach.
 3. See additional notes on sheet 57.



24" dia. round anchor is an acceptable alternative. Reduced size acceptable in solid rock.

CONCRETE ANCHOR FOR SHORT GUARDRAIL POST
 Woodstock BHO 1444(52)
 Woodstock ST 1444(58)



NO SCALE
 Sheet 58 of 68

U.S. DEPARTMENT OF TRANSPORTATION FEDERAL HIGHWAY ADMINISTRATION FEDERAL LANDS HIGHWAY	
U.S. CUSTOMARY STANDARD	
STEEL-BACKED TIMBER GUARDRAIL TYPE A & TYPE B	
STANDARD APPROVED FOR USE 3/1990 REVISED: 4/1994 6/2005	STANDARD 617-60

20-Sep-2007 06:42 AM F:\StandDraw\std1760.dgn [US Customary]