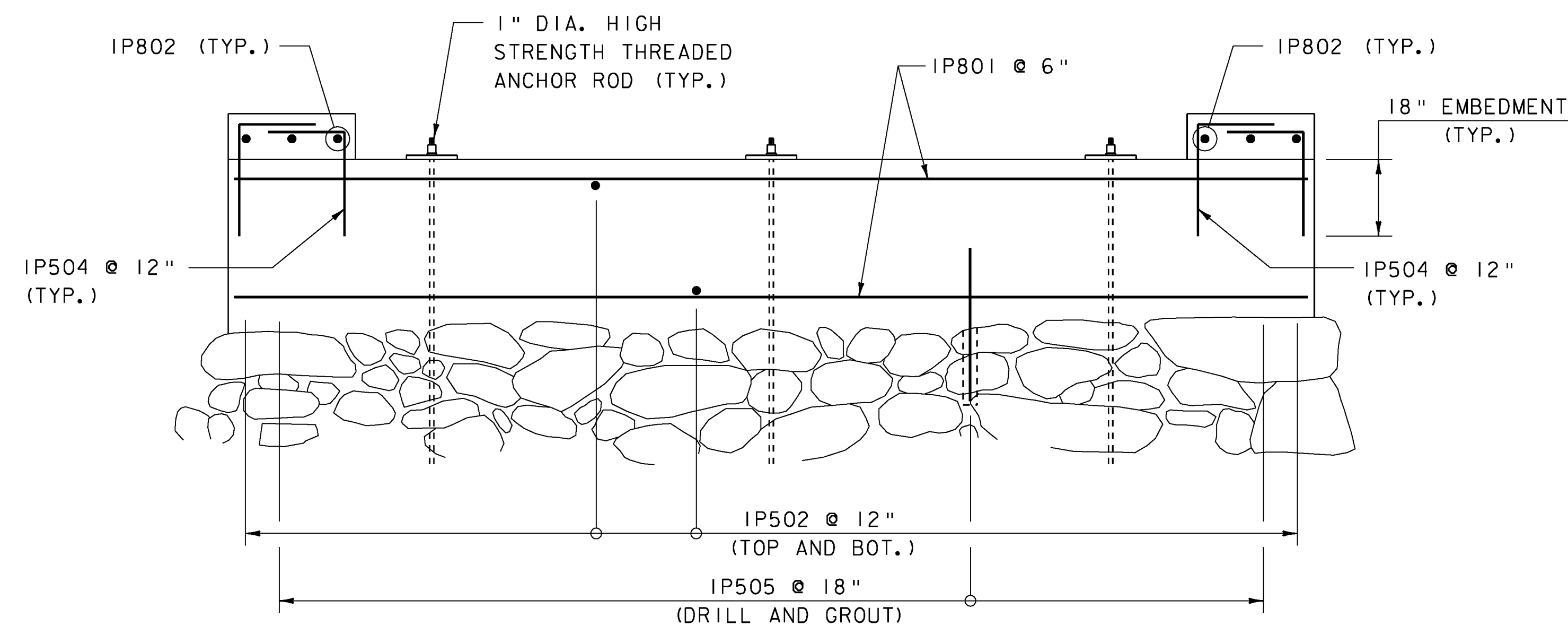


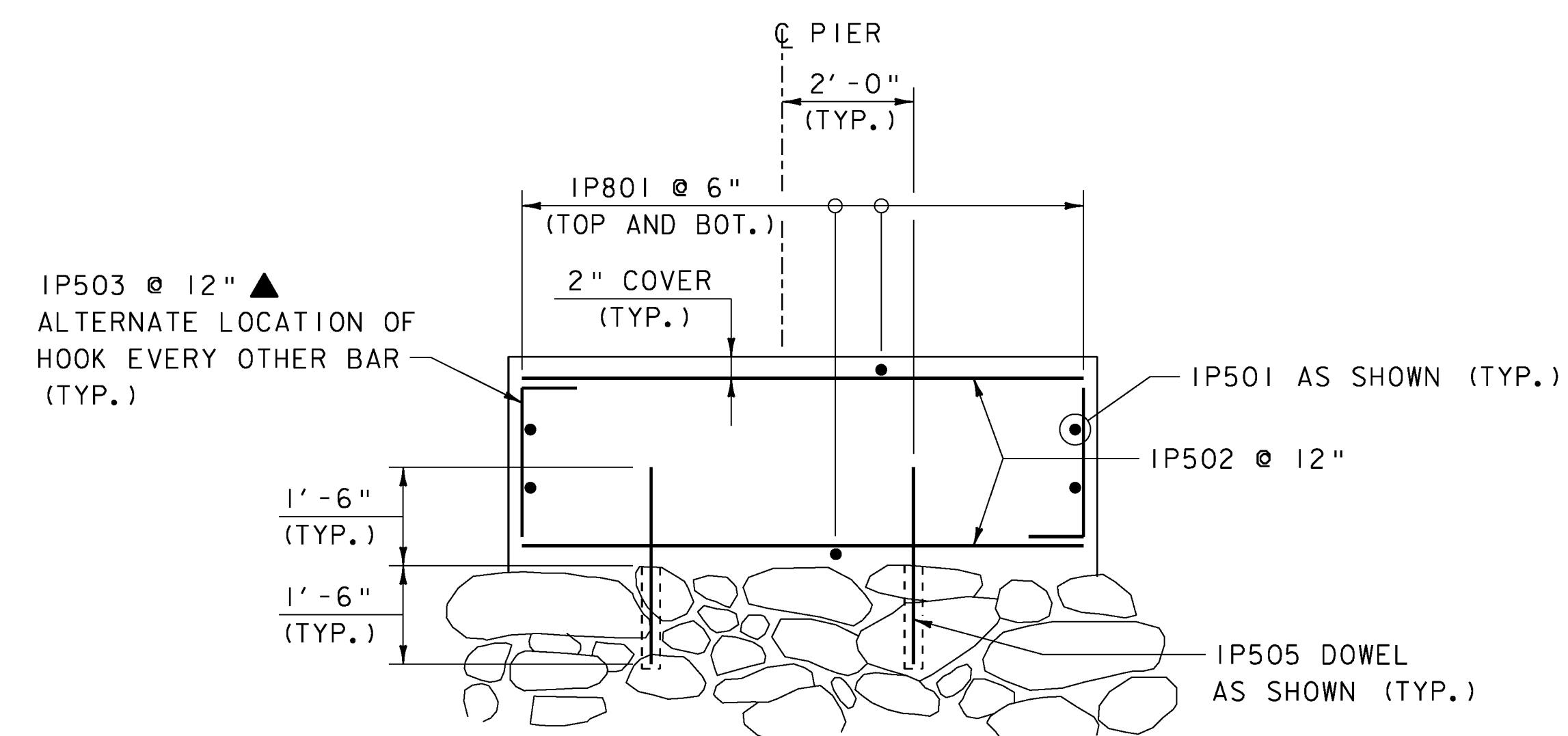
PIER REINFORCEMENT PLAN

SCALE: 1/2" = 1'-0"



SECTION A-A

SCALE: 1/2" = 1'-0"



SECTION B-B

SCALE: 1/2" = 1'-0"

SCALE 1/2" = 1'-0"



PROJECT NAME:	WOODSTOCK	WOODSTOCK
PROJECT NUMBER:	BHO 1444(52)	ST 1444(58)
FILE NAME:	z96J262pr2.dgn	PLOT DATE: 29-JUN-2012
PROJECT LEADER:	M. Sargent	DRAWN BY: S. Merkwon
DESIGNED BY:	W. Durack	CHECKED BY: R. Joy
PIER DETAILS		SHEET 55 OF 68