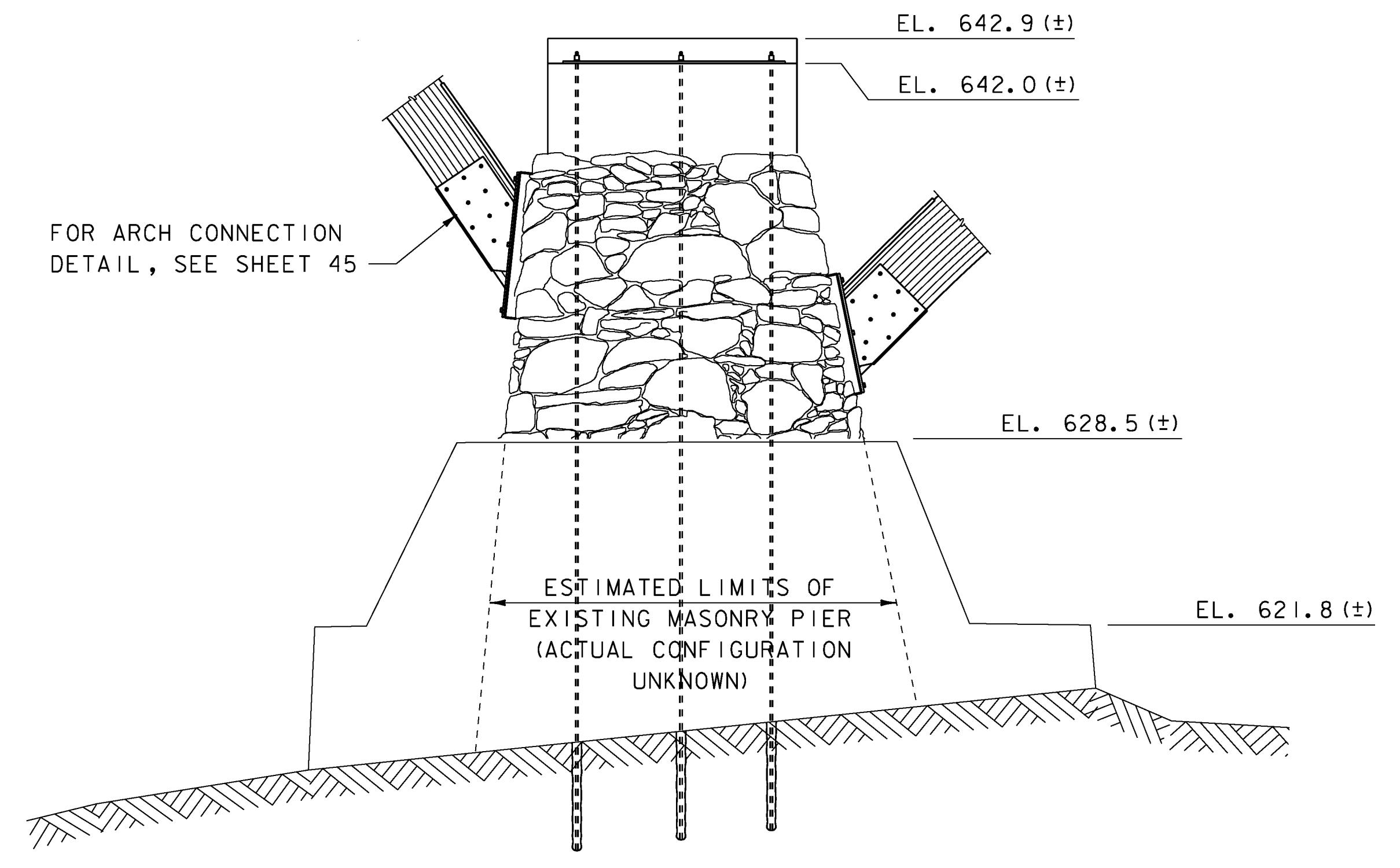


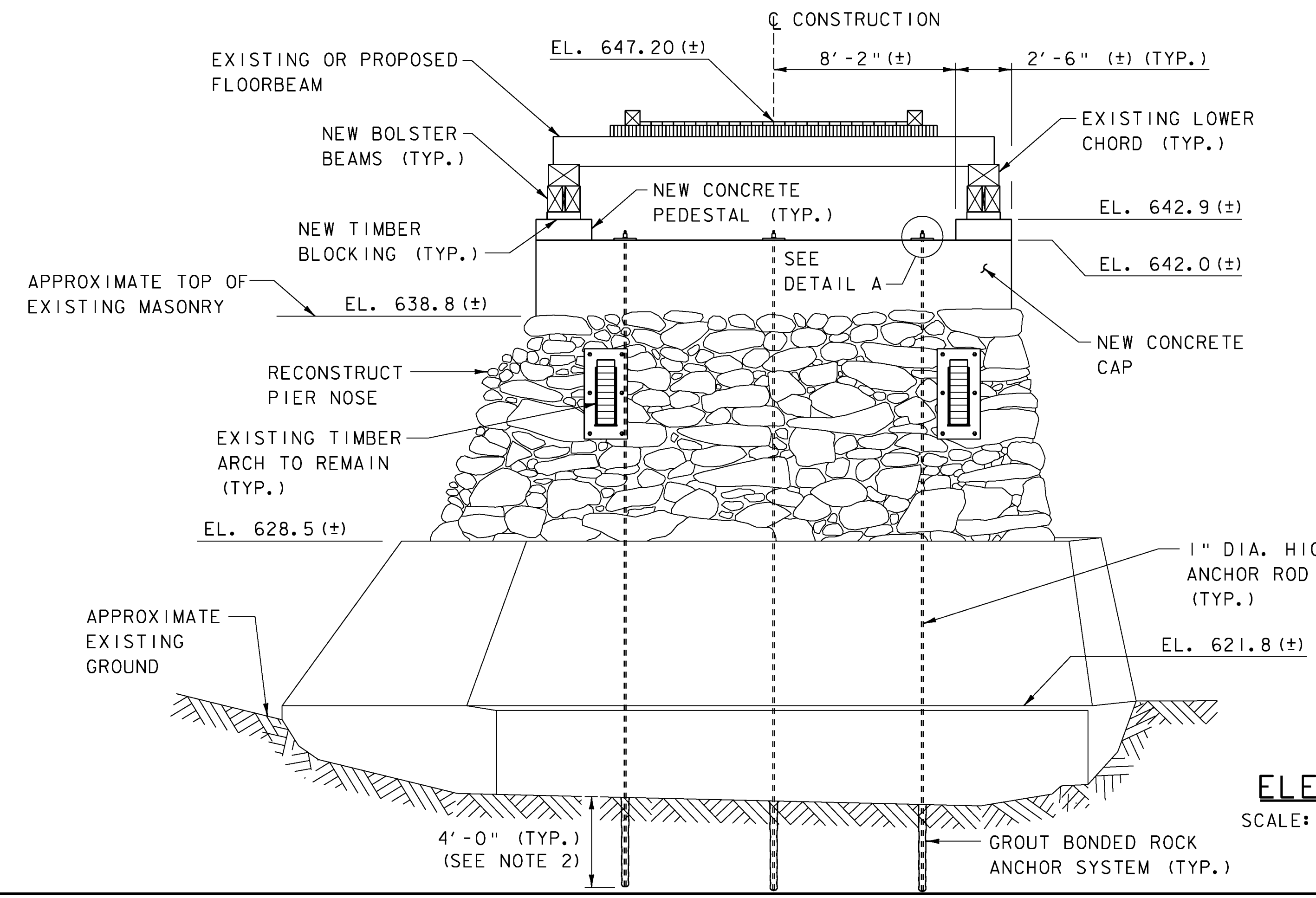
**PLAN**

SCALE: 1/4" = 1'-0"  
(TIMBER NOT SHOWN IN PLAN FOR CLARITY)



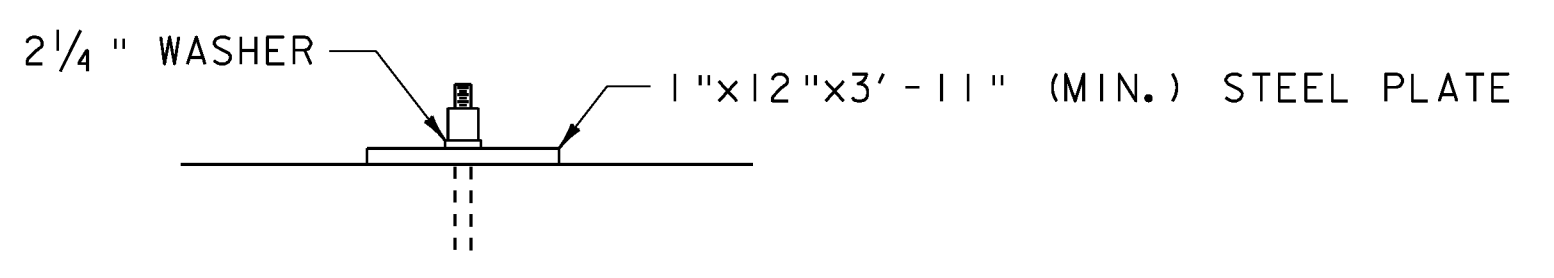
**SECTION A-A**

SCALE: 1/4" = 1'-0"



**ELEVATION**

SCALE: 1/4" = 1'-0"



**DETAIL A**

SCALE: 1" = 1'-0"

**NOTES**

1. FOR DESCRIPTION OF PIER WORK, SEE PROJECT NOTES SHEET 24 AND SPECIAL PROVISIONS.
2. ROCK ANCHOR EMBEDMENT SHALL BE VERIFIED BY MANUFACTURER PRIOR TO CONSTRUCTION.

SCALE 1/4" = 1'-0"  
1 0 2 4 6



PROJECT NAME: WOODSTOCK	WOODSTOCK
PROJECT NUMBER: BHO 1444(52)	ST 1444(58)
FILE NAME: z96J262pr1.dgn	PLOT DATE: 29-JUN-2012
PROJECT LEADER: M. Sargent	DRAWN BY: S. Merkwan
DESIGNED BY: S. Della/W. Durack	CHECKED BY: R. Joy
PIER	SHEET 54 OF 68