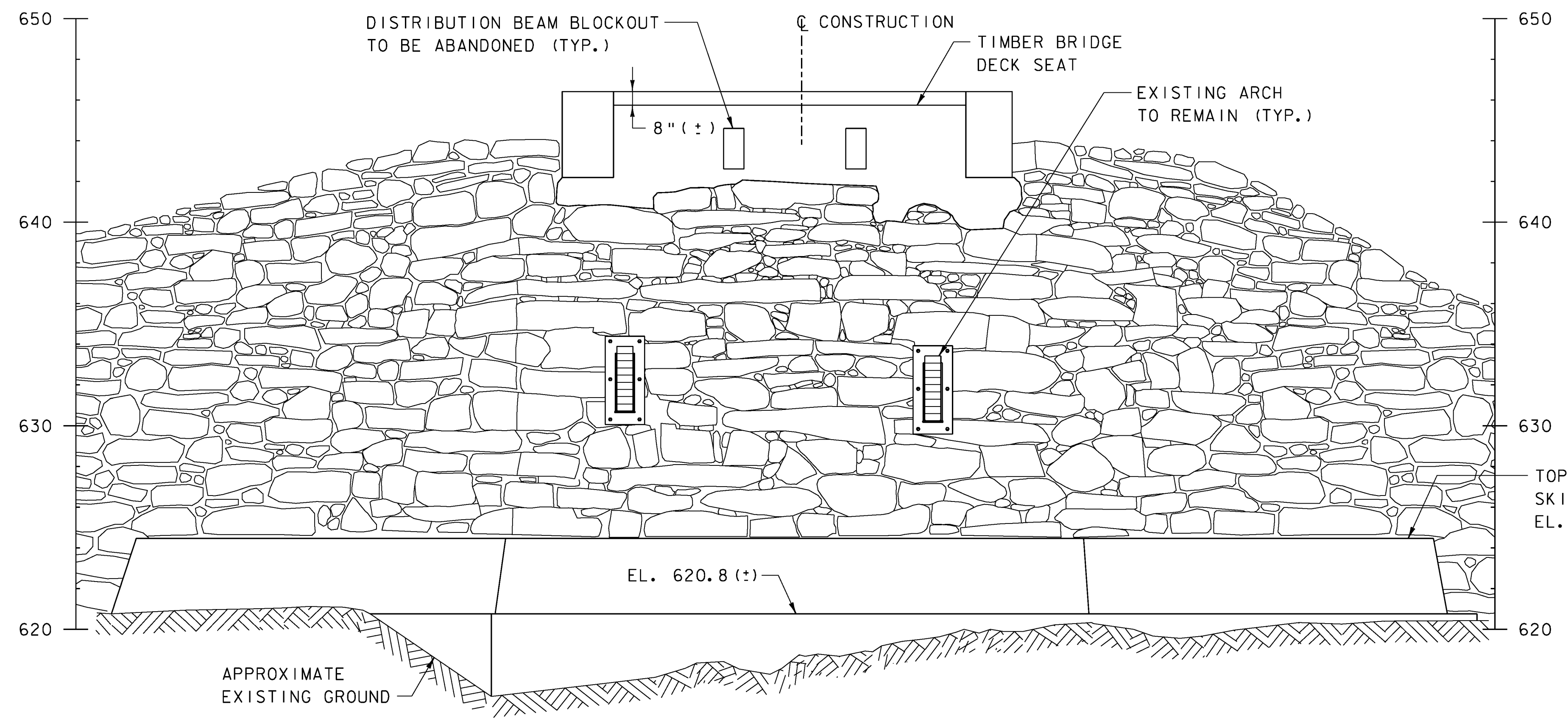


NOTE:
SUPERSTRUCTURE NOT
SHOWN FOR CLARITY.

PAY LIMITS OF ITEM 900.645, SPECIAL PROVISION
(REPAIRING STONE MASONRY, JAHN PERMEABLE MORTAR SYSTEM)
(EAST ABUTMENT)

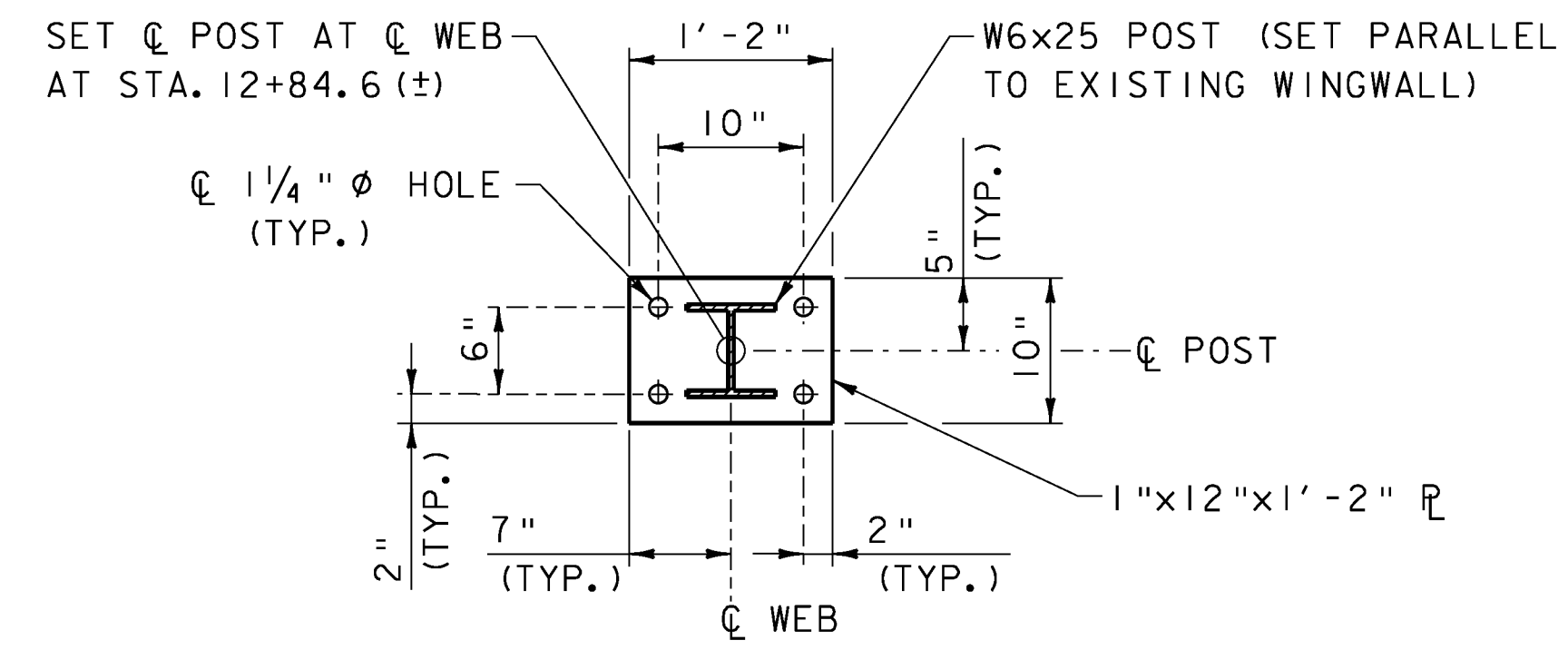
PLAN

SCALE: 1/4" = 1'-0"



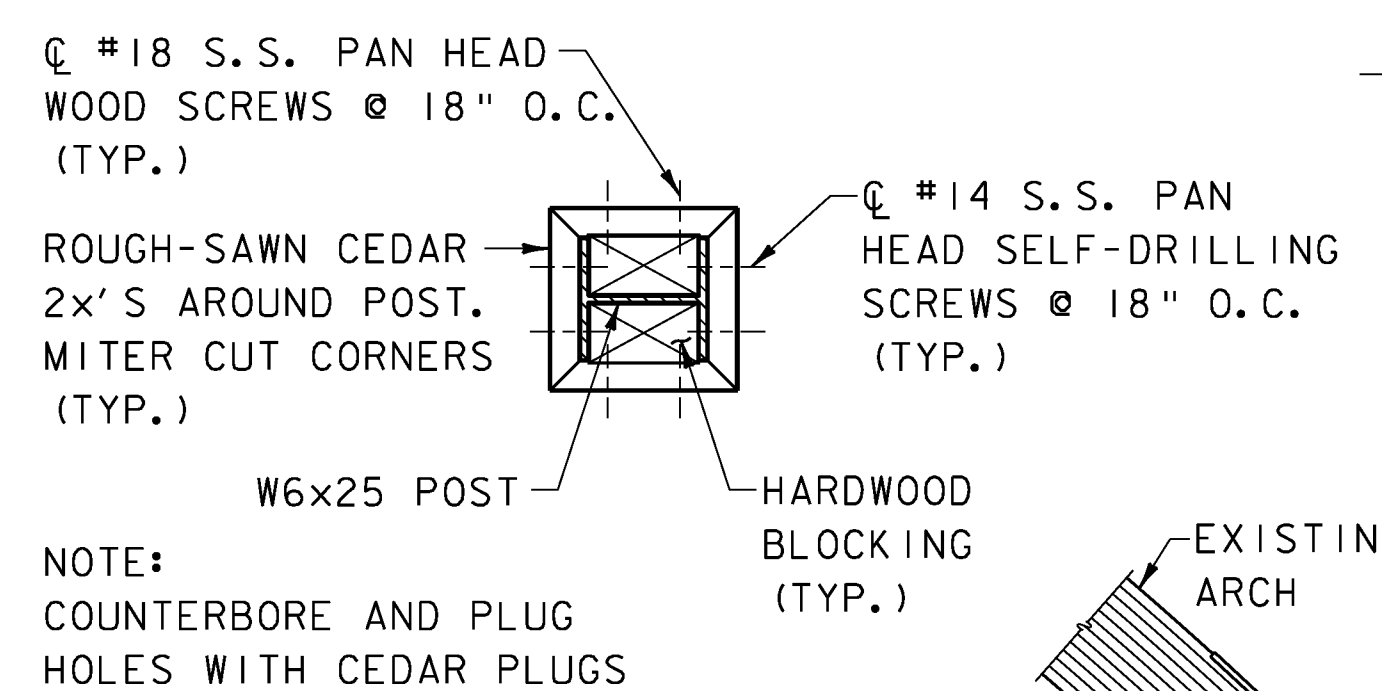
ELEVATION

SCALE: 1/4" = 1'-0"



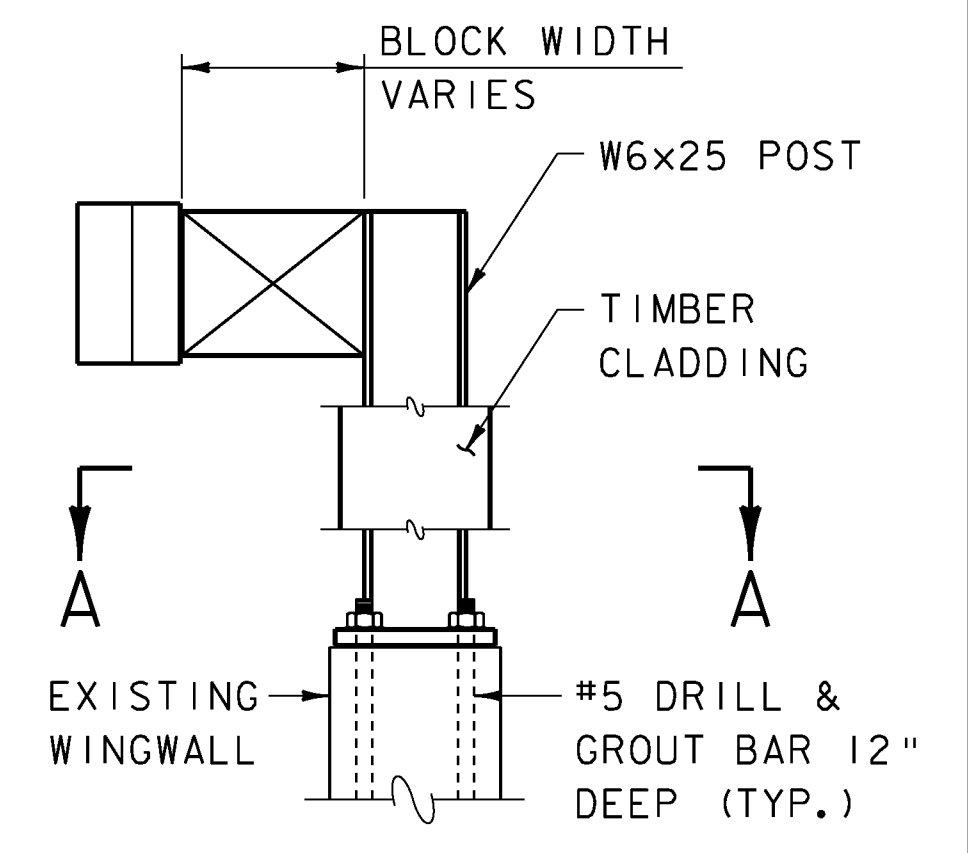
POST AND BASE PLATE

SCALE: 4" = 1'-0"



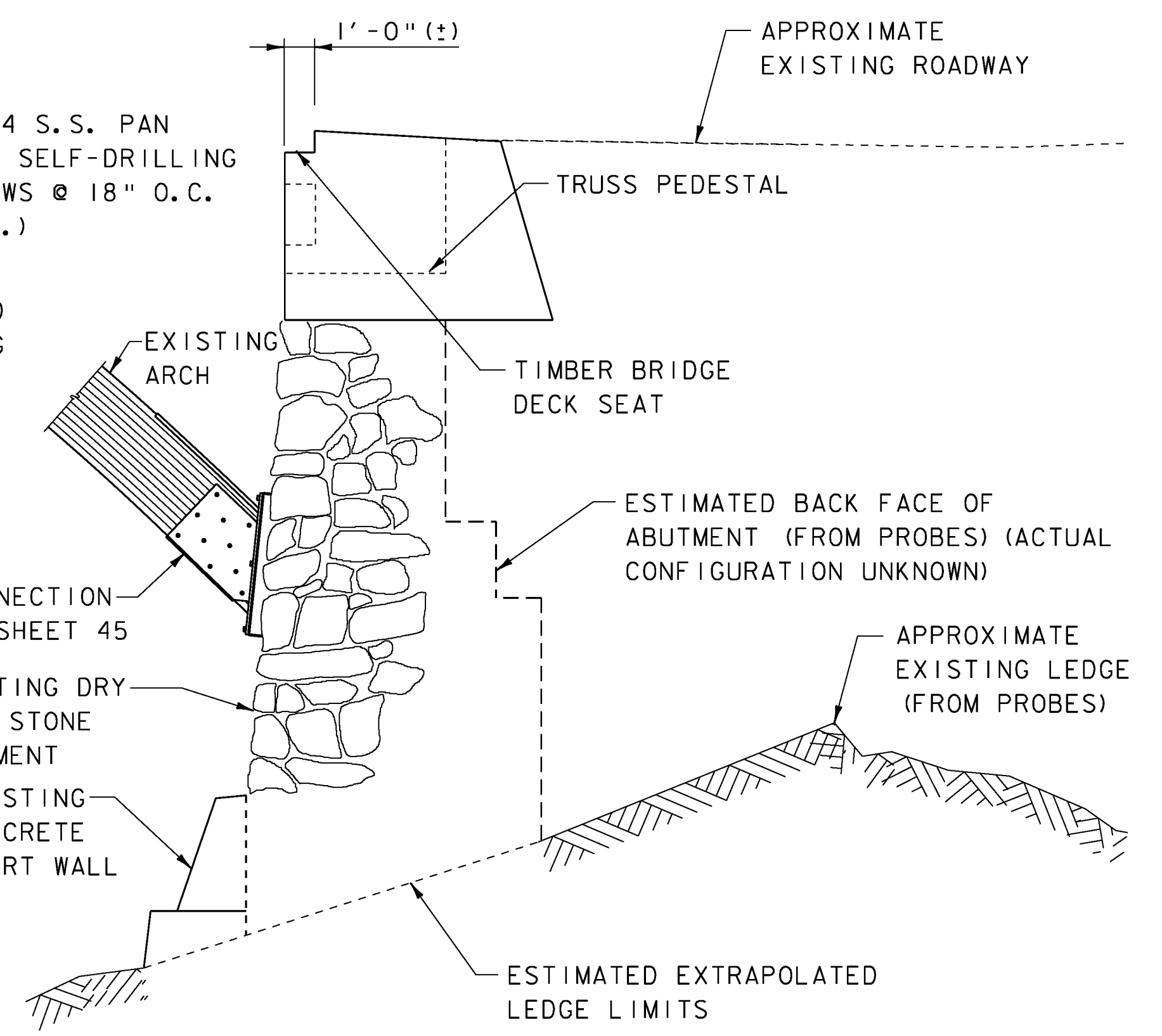
SECTION A-A

NOT TO SCALE



RAIL ELEVATION

SCALE: 4" = 1'-0"

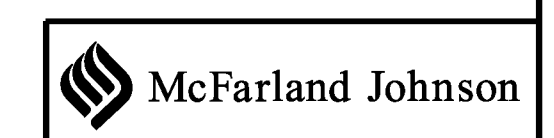
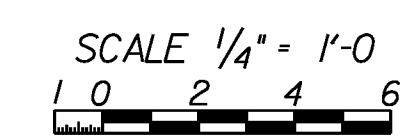


TYPICAL ABUTMENT SECTION B-B

SCALE: 1/4" = 1'-0"

NOTES

1. FOR DESCRIPTION OF ABUTMENT WORK, SEE PROJECT NOTES SHEET 24.
2. FOR BOLSTER BEAM DETAILS, SEE SHEET 46.
3. PORTIONS OF THE FACE OF THE EXISTING CONCRETE MAY NEED TO BE CHIPPED AWAY TO PROVIDE CLEARANCE FOR BOLSTER BEAM U-BOLTS. COST SHALL BE INCIDENTAL TO ITEM 900.645, SPECIAL PROVISION (REPAIRING STONE MASONRY, JAHN PERMEABLE MORTAR SYSTEM) (EAST ABUTMENT).



| | | | |
|-----------------------|----------------------|-------------|-------------|
| PROJECT NAME: | WOODSTOCK | WOODSTOCK | |
| PROJECT NUMBER: | BHO 1444(52) | ST 1444(58) | |
| FILE NAME: | z96j262ab2.dgn | PLOT DATE: | 29-JUN-2012 |
| PROJECT LEADER: | M. Sargent | DRAWN BY: | S. Merkwon |
| DESIGNED BY: | S. Merkwon/P. Dustin | CHECKED BY: | R. Joy |
| ABUTMENT NO. 2 | | SHEET | 53 OF 68 |