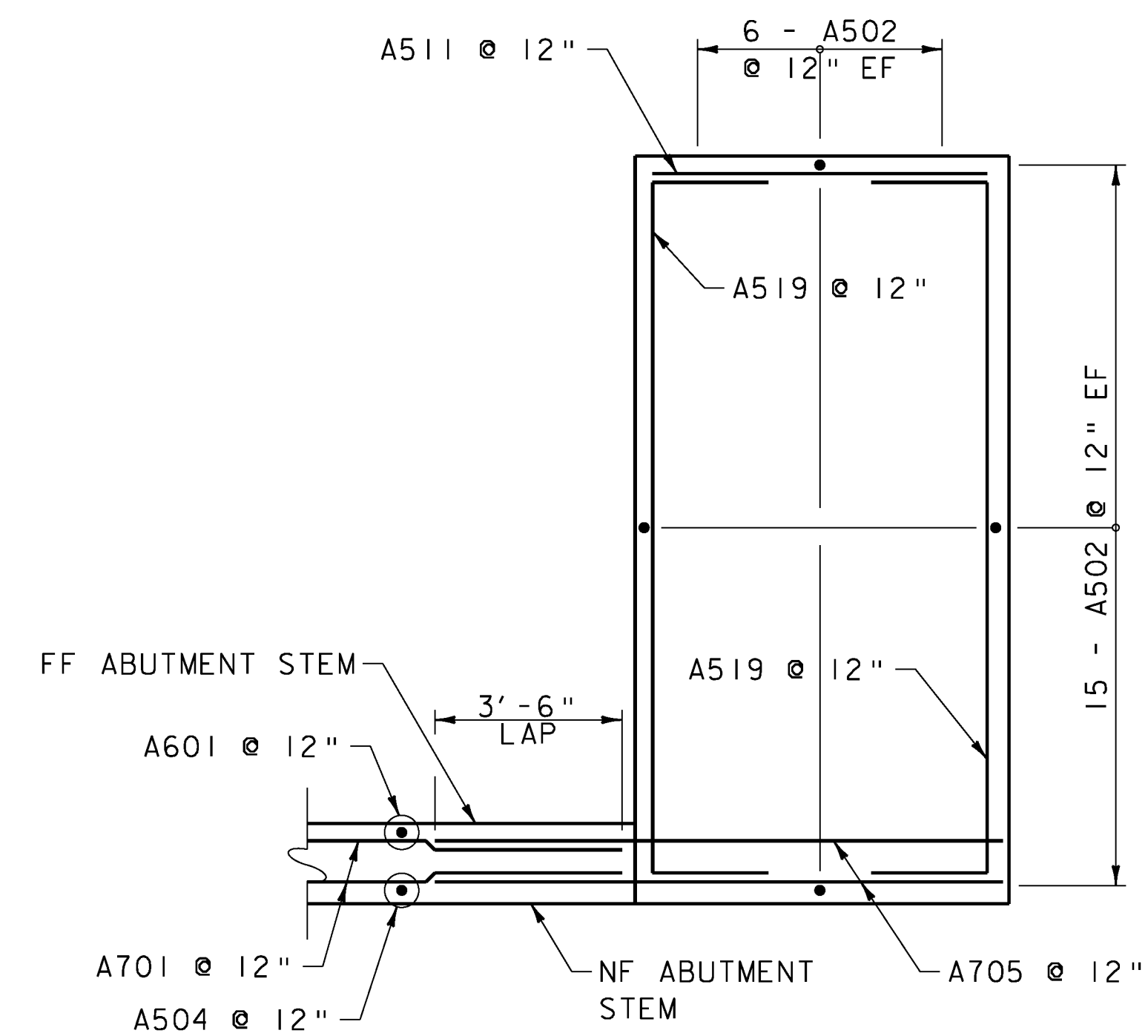


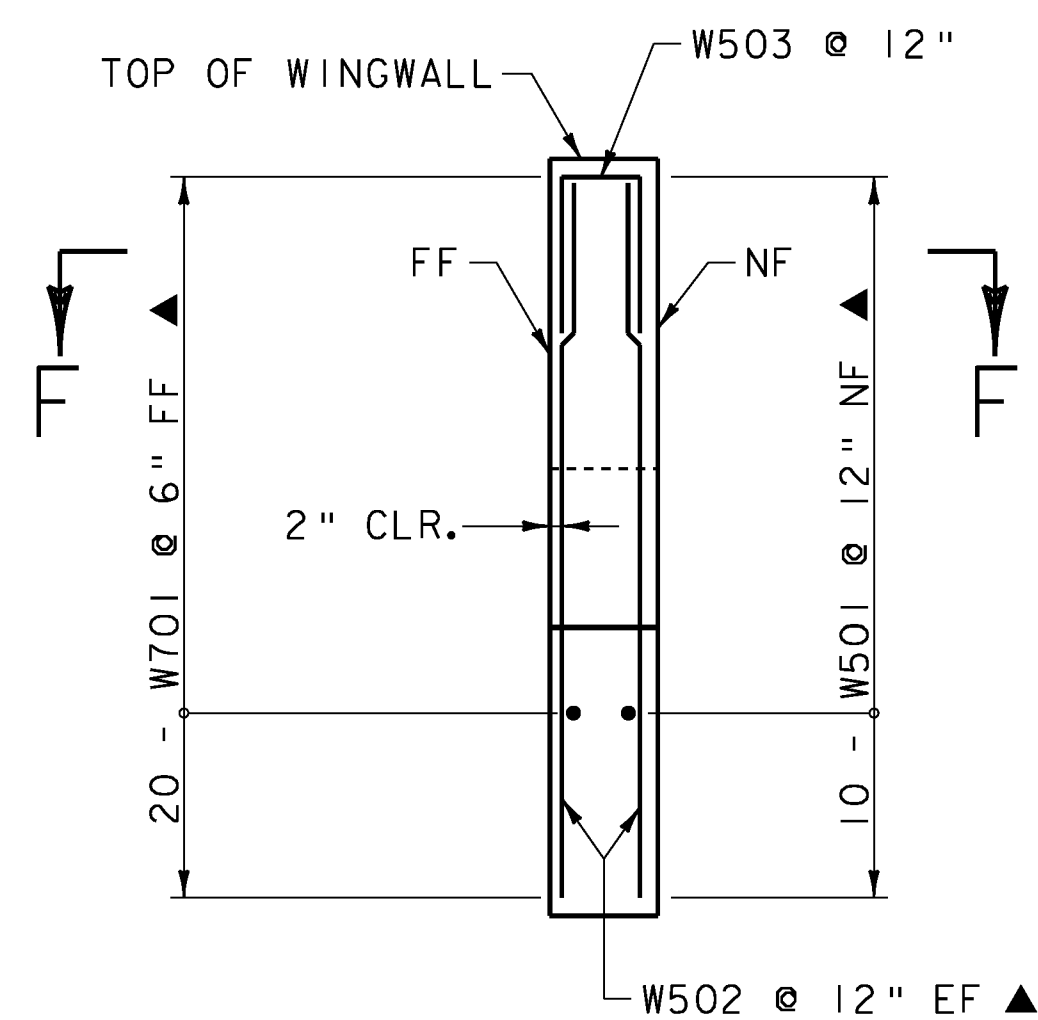
SECTION D-D

SCALE: 3/8" = 1'-0"



SECTION E-E

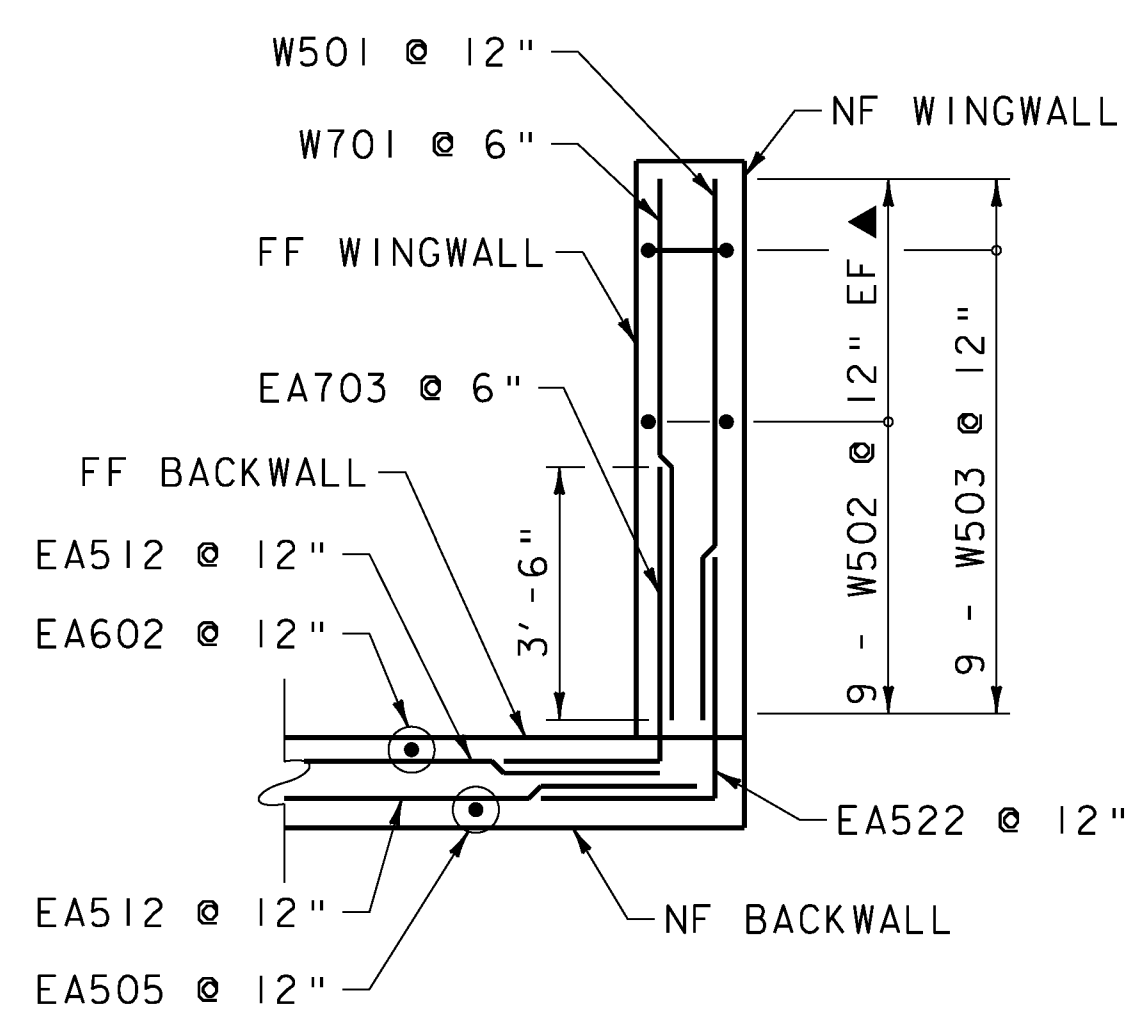
SCALE: 3/8" = 1'-0"



WINGWALL #1 & #2

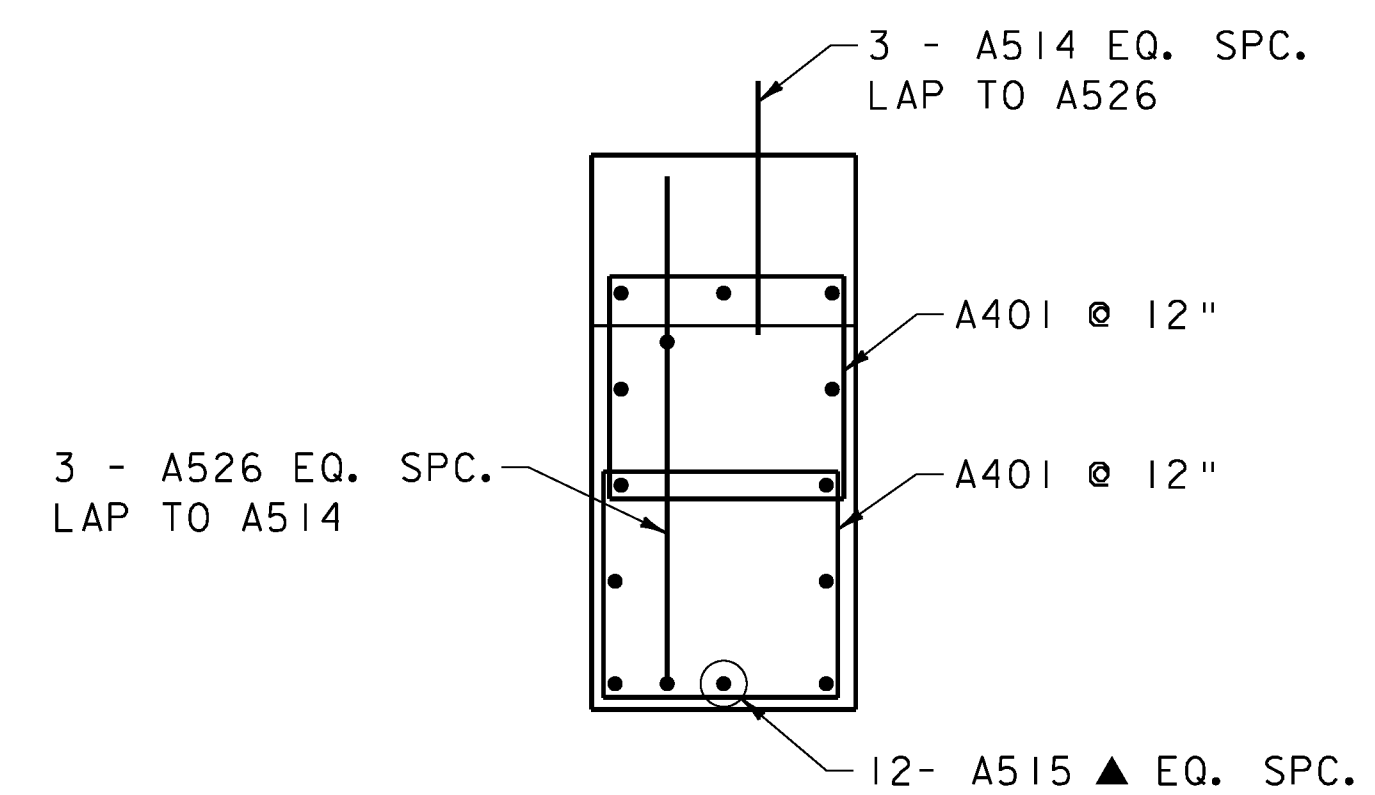
TYPICAL SECTION

SCALE: 3/8" = 1'-0"



SECTION F-F

SCALE: 3/8" = 1'-0"



SECTION G-G

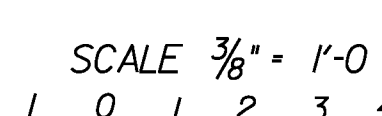
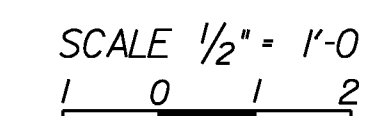
SCALE: 1/2" = 1'-0"

LEGEND

- NF NEAR FACE
- FF FAR FACE
- EF EACH FACE
- ▲ CUT TO FIT IN FIELD

NOTES

1. 3" CLEAR UNLESS OTHERWISE SPECIFIED ON PLANS.
2. ALL LAPS ARE 2'-2" UNLESS OTHERWISE SPECIFIED ON PLANS.



PROJECT NAME:	WOODSTOCK	WOODSTOCK	
PROJECT NUMBER:	BHO 1444(52)	ST 1444(58)	
FILE NAME:	z96J262ad4.dgn	PLOT DATE:	29-JUN-2012
PROJECT LEADER:	M. Sargent	DRAWN BY:	P. Dustin
DESIGNED BY:	S. Della/J. Lund	CHECKED BY:	R. Joy
PROPOSED ABUTMENT NO. 1 DETAILS (4 OF 4)		SHEET 52 OF 68	