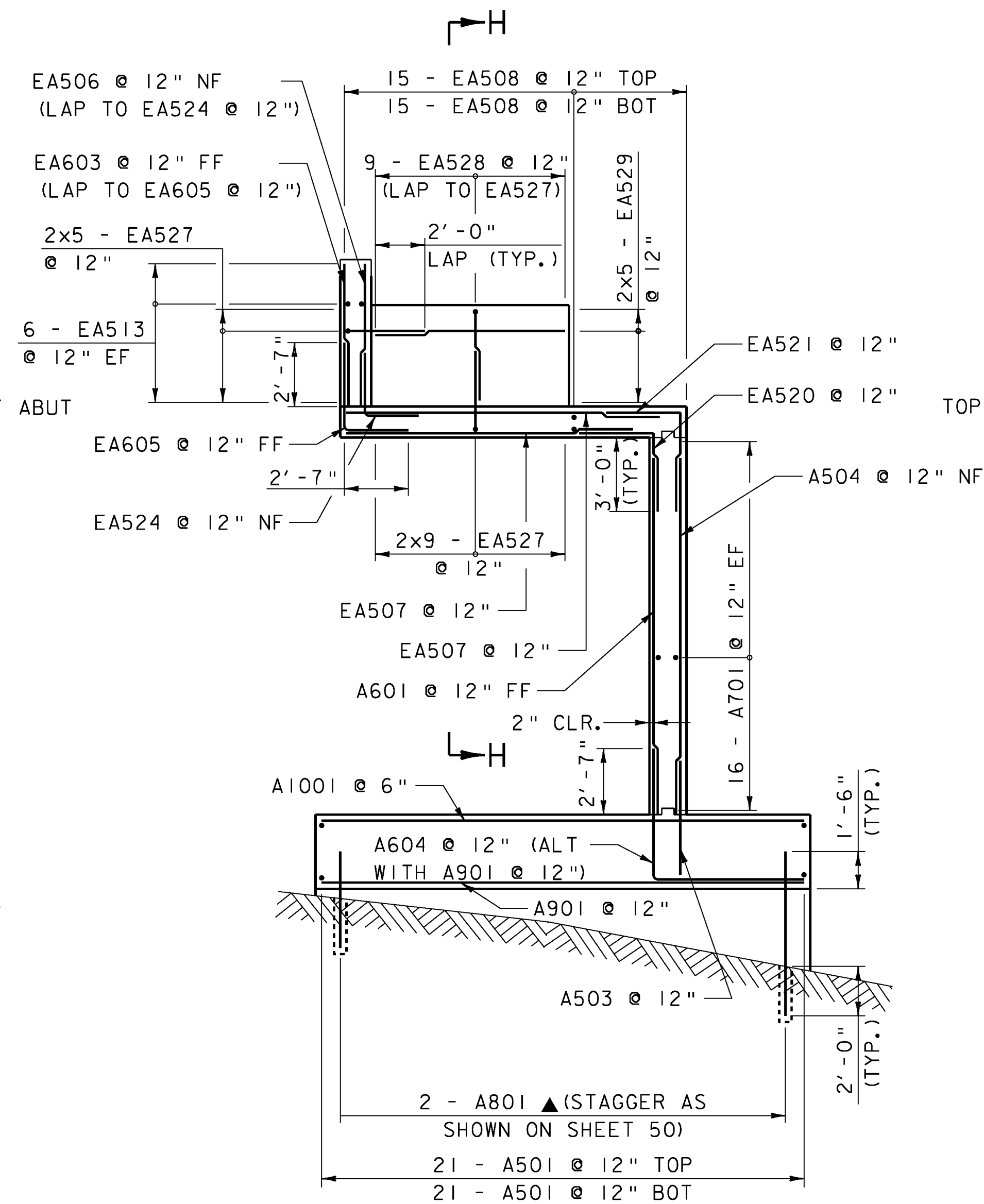


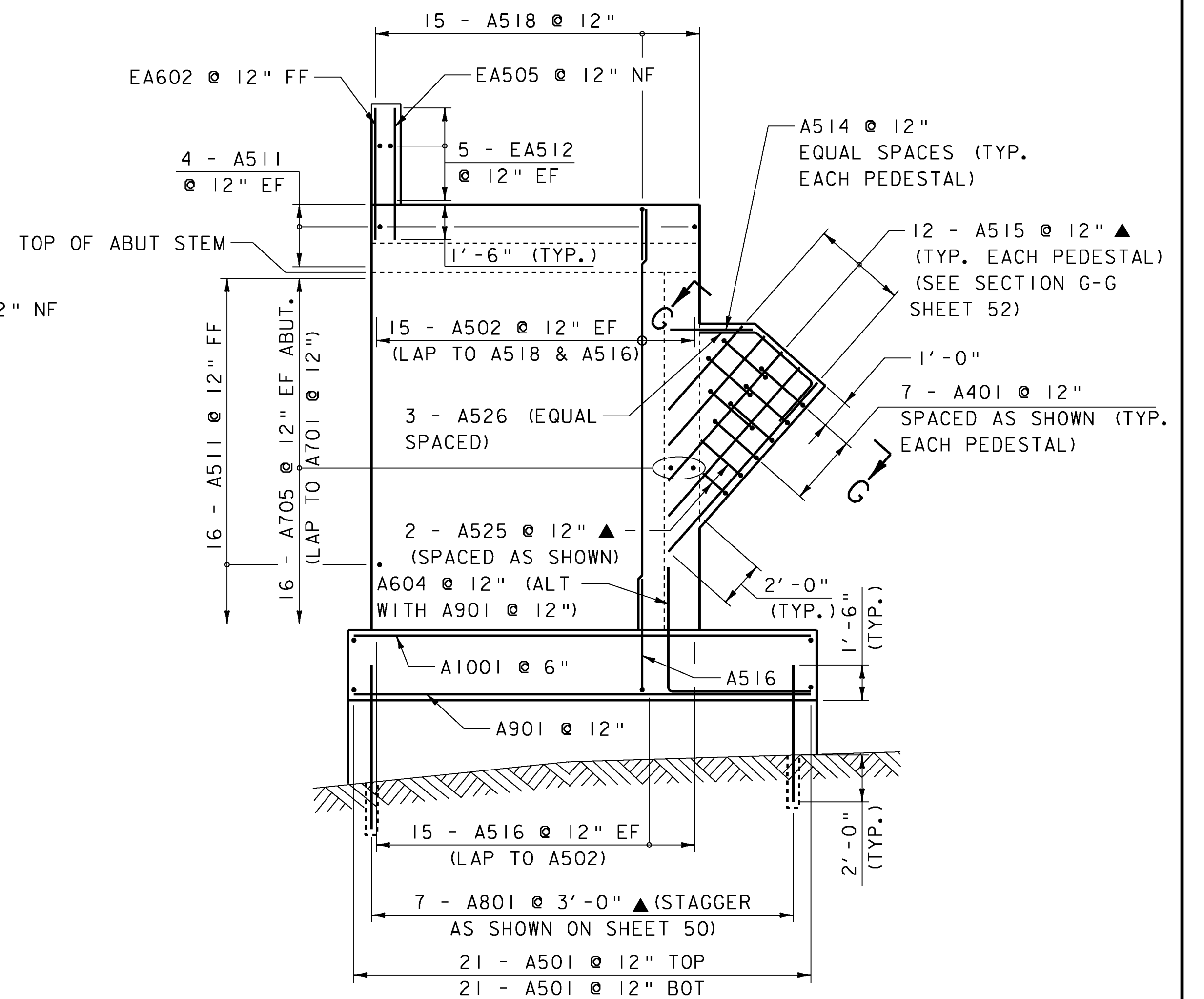
SECTION A-A

SCALE: 1/4" = 1'-0"



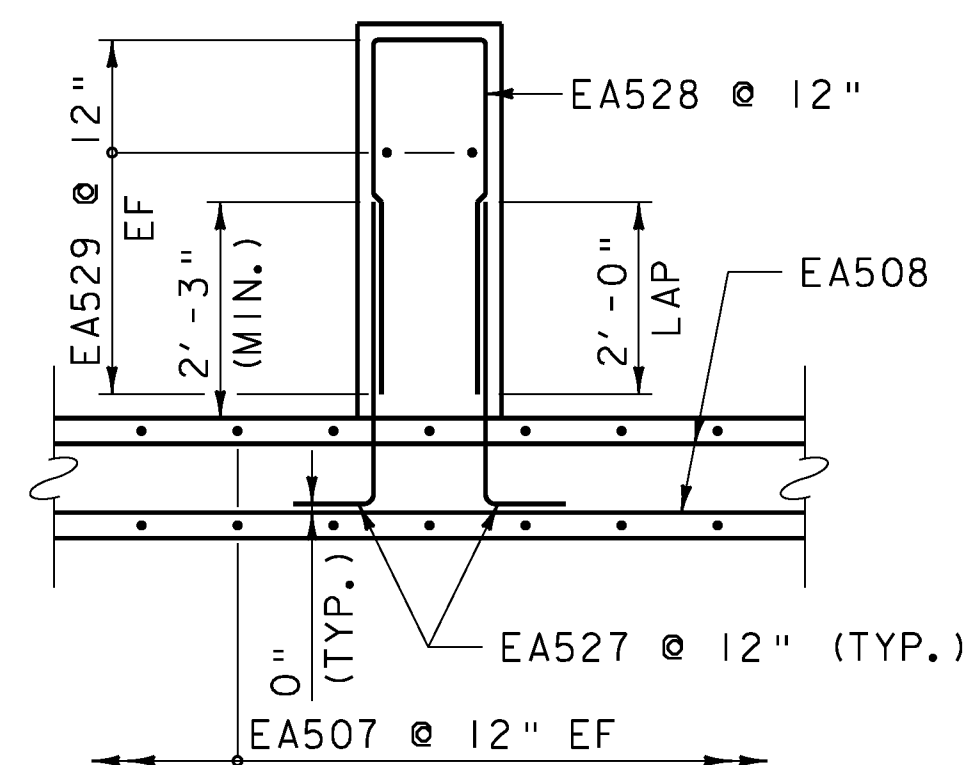
SECTION B-B

SCALE: 1/4" = 1'-0"



SECTION C-C

SCALE: 1/4" = 1'-0"



SECTION H-H

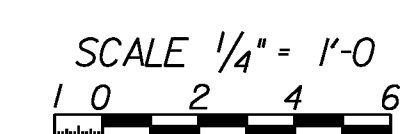
SCALE: 1/4" = 1'-0"

LEGEND

- NF NEAR FACE
- FF FAR FACE
- EF EACH FACE
- ▲ CUT TO FIT IN FIELD

NOTES

1. 3" CLEAR UNLESS OTHERWISE SPECIFIED ON PLANS.
2. ALL LAPS ARE 2'-2" UNLESS OTHERWISE SPECIFIED ON PLANS.



PROJECT NAME:	WOODSTOCK	WOODSTOCK
PROJECT NUMBER:	BHO 1444(52)	ST 1444(58)
FILE NAME:	z96J262ad3.dgn	PLOT DATE: 29-JUN-2012
PROJECT LEADER:	M. Sargent	DRAWN BY: P. Dustin
DESIGNED BY:	S. Della/J. Lund	CHECKED BY: R. Joy
PROPOSED ABUTMENT NO. 1 DETAILS (3 OF 4)		SHEET 51 OF 68