

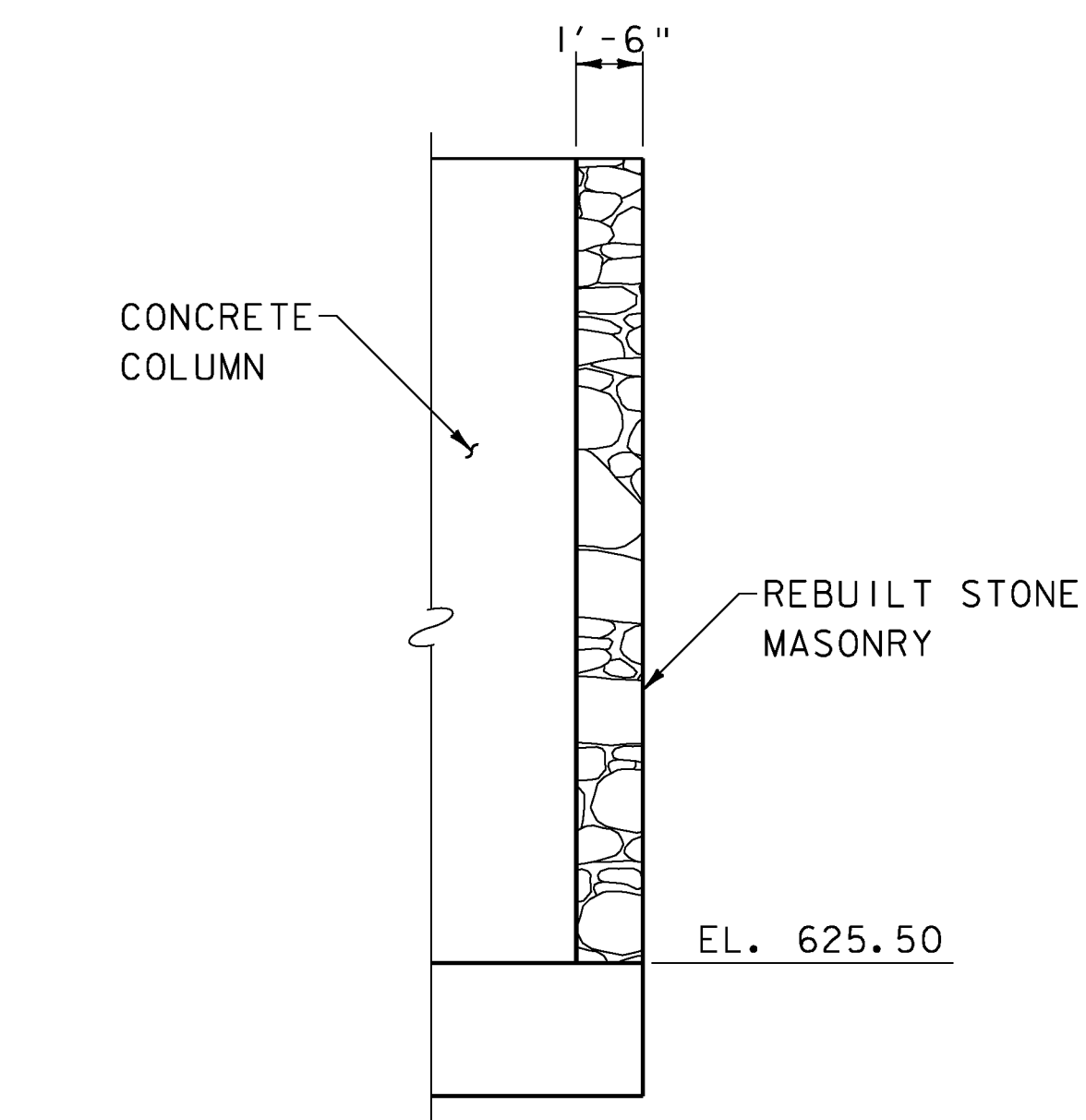
WINGWALL NO. 2 ELEVATION

SCALE: 1/4" = 1'-0"

WINGWALL NO. 1 ELEVATION

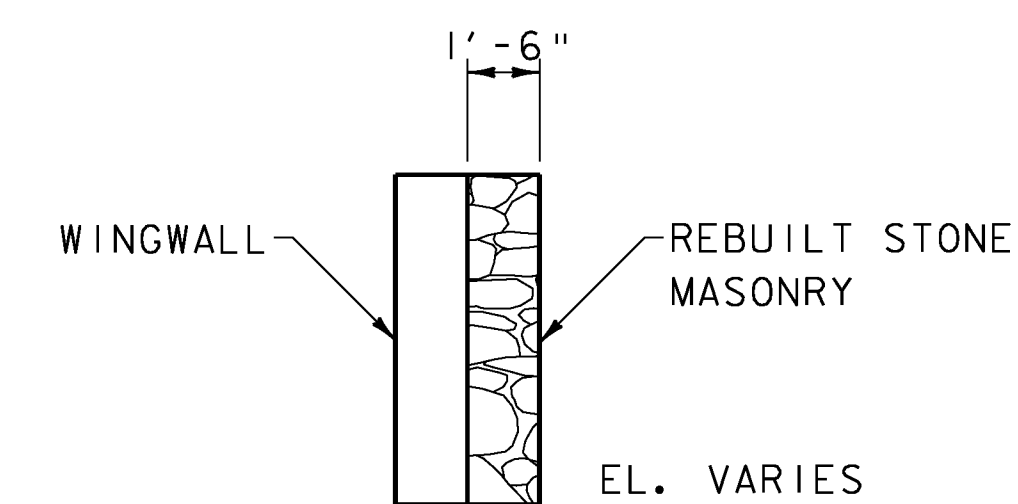
SCALE: 1/4" = 1'-0"

REBUILT STONE MASONRY NOT SHOWN IN ELEVATION VIEWS FOR CLARITY.



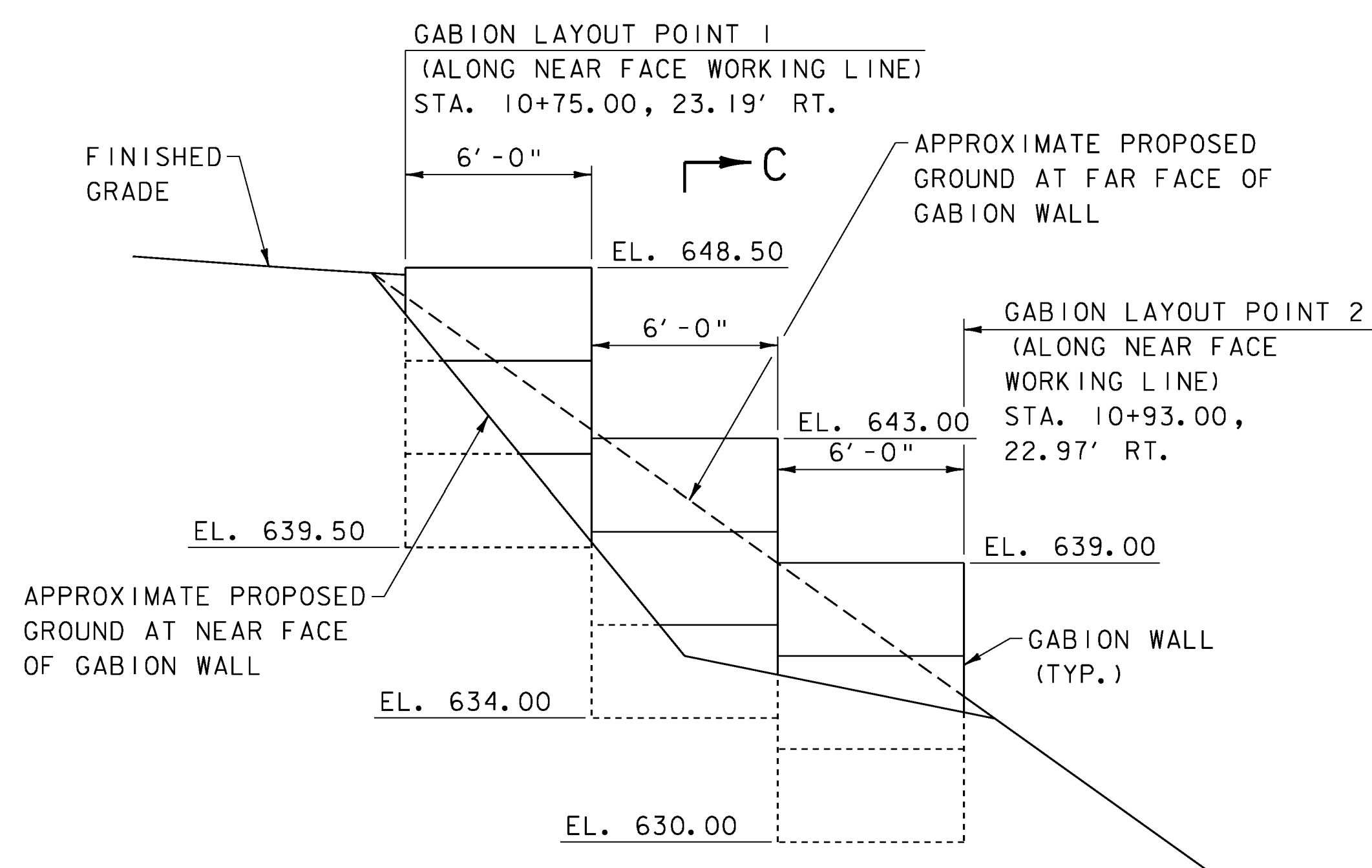
SECTION A-A

SCALE: 1/4" = 1'-0"



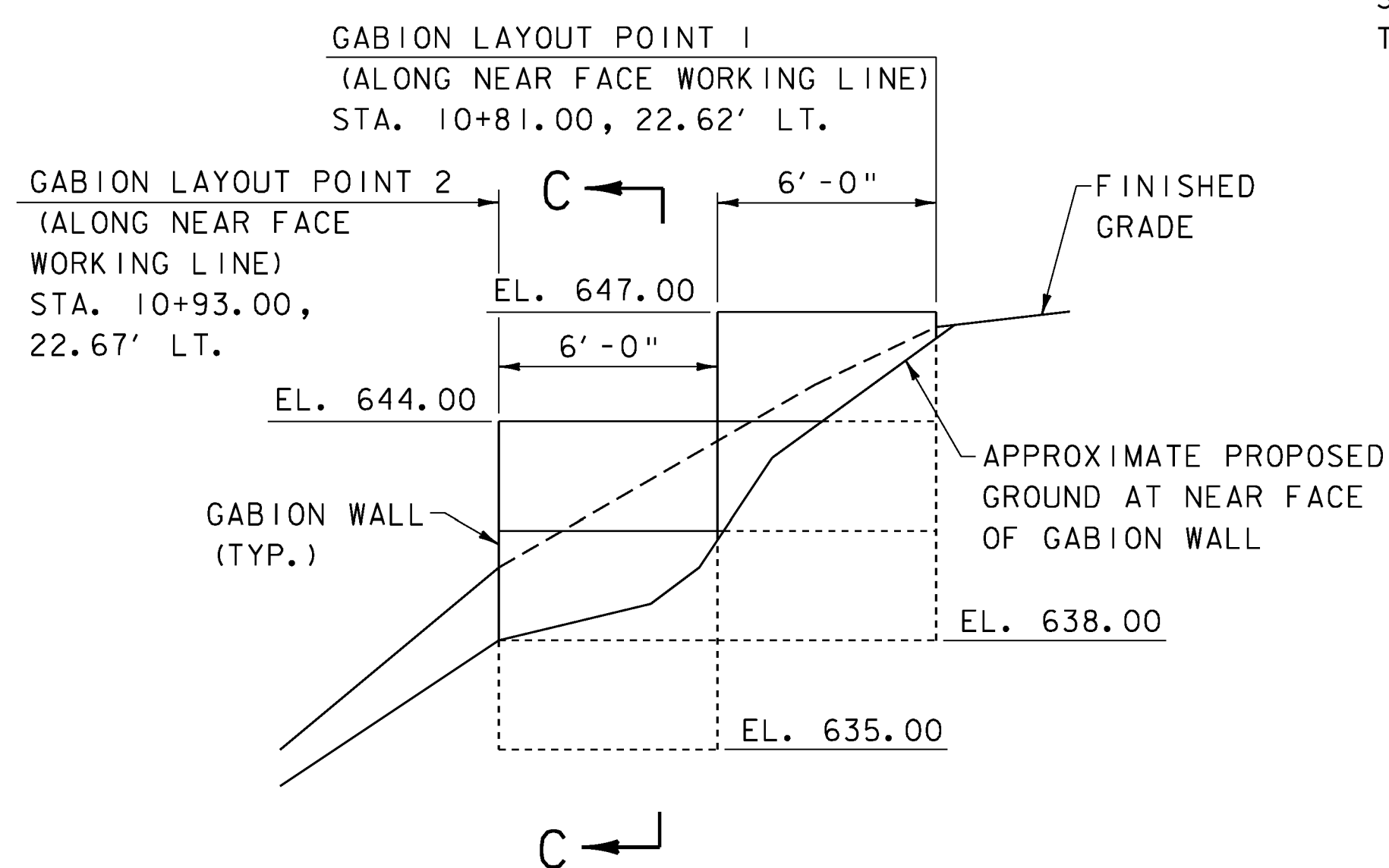
SECTION B-B

SCALE: 1/4" = 1'-0"



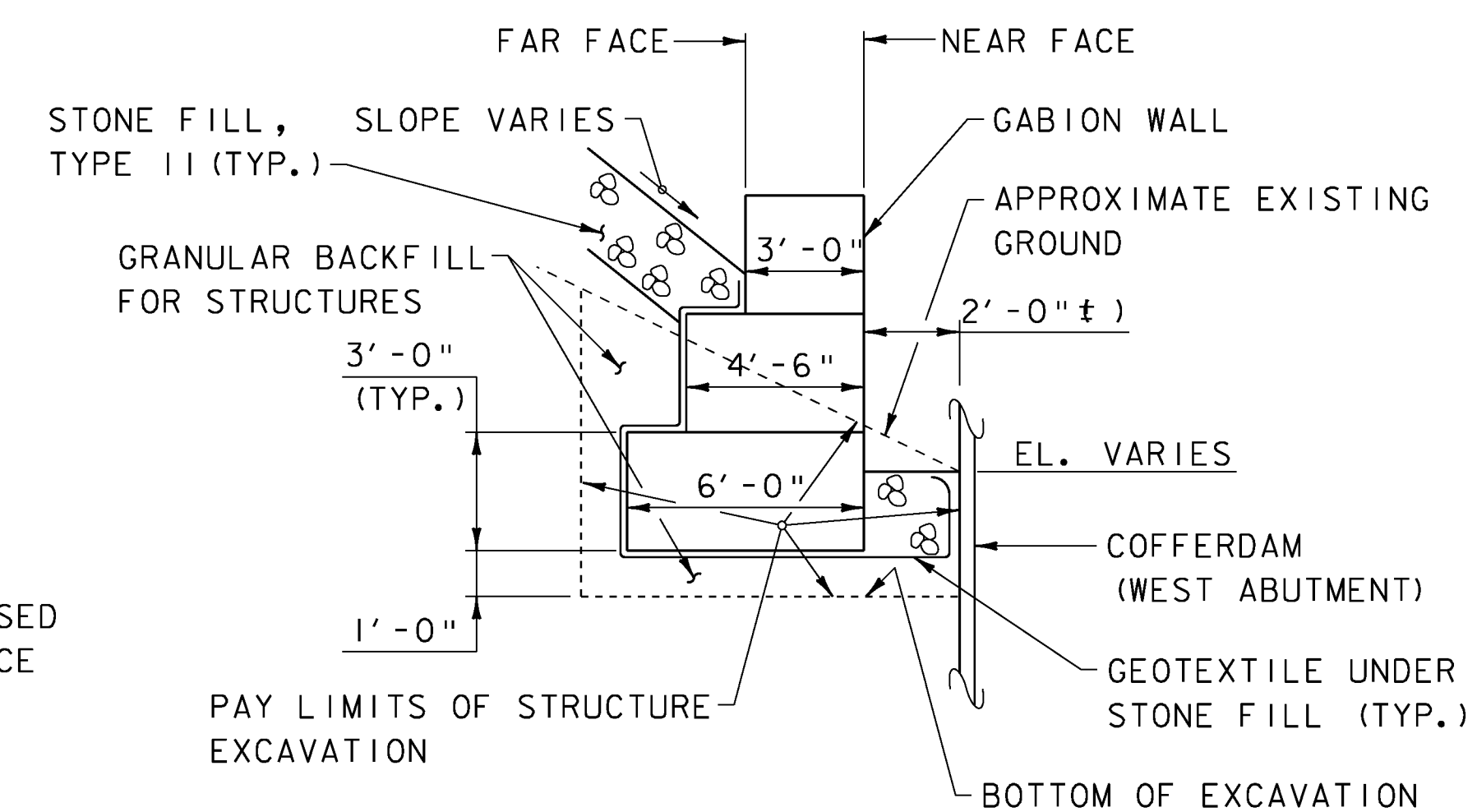
SOUTHWEST GABION WALL ELEVATION

(LOOKING NORTH)
SCALE: 1/4" = 1'-0"



NORTHWEST GABION WALL ELEVATION

(LOOKING SOUTH)
SCALE: 1/4" = 1'-0"

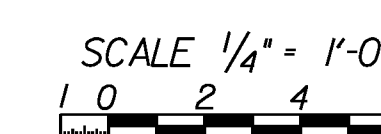


SECTION C-C

SCALE: 1/4" = 1'-0"

NOTES

1. FOR CONSTRUCTION NOTES, SEE SHEETS 23 AND 24.



PROJECT NAME: WOODSTOCK	WOODSTOCK
PROJECT NUMBER: BHO 1444(52)	ST 1444(58)
FILE NAME: z96J262adl.dgn	PLOT DATE: 29-JUN-2012
PROJECT LEADER: M. Sargent	DRAWN BY: P. Dustin
DESIGNED BY: S. Della	CHECKED BY: R. Joy
PROPOSED ABUTMENT NO. 1 DETAILS (1 OF 4)	
SHEET 49 OF 68	