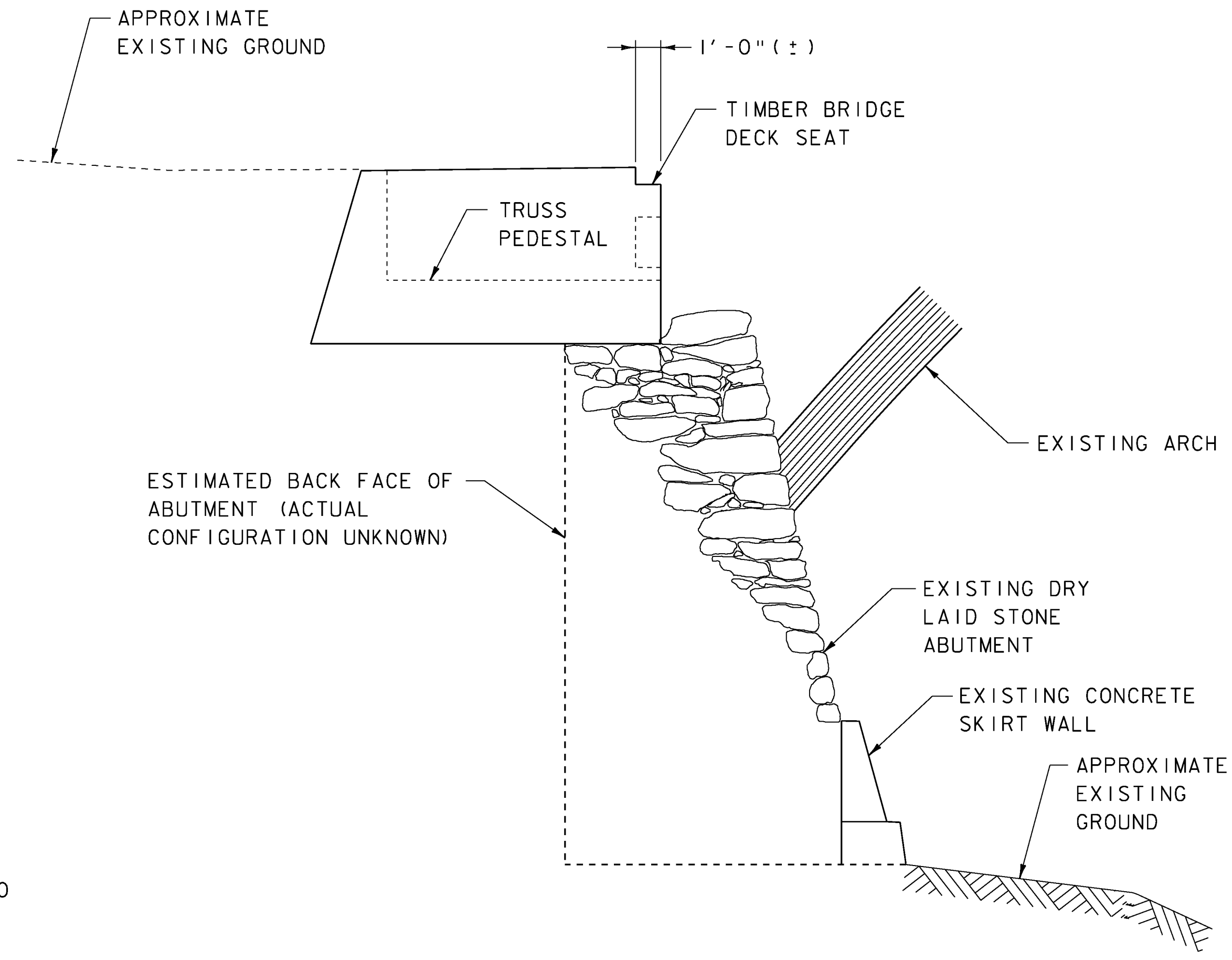


NOTE:
SUPERSTRUCTURE NOT
SHOWN FOR CLARITY.

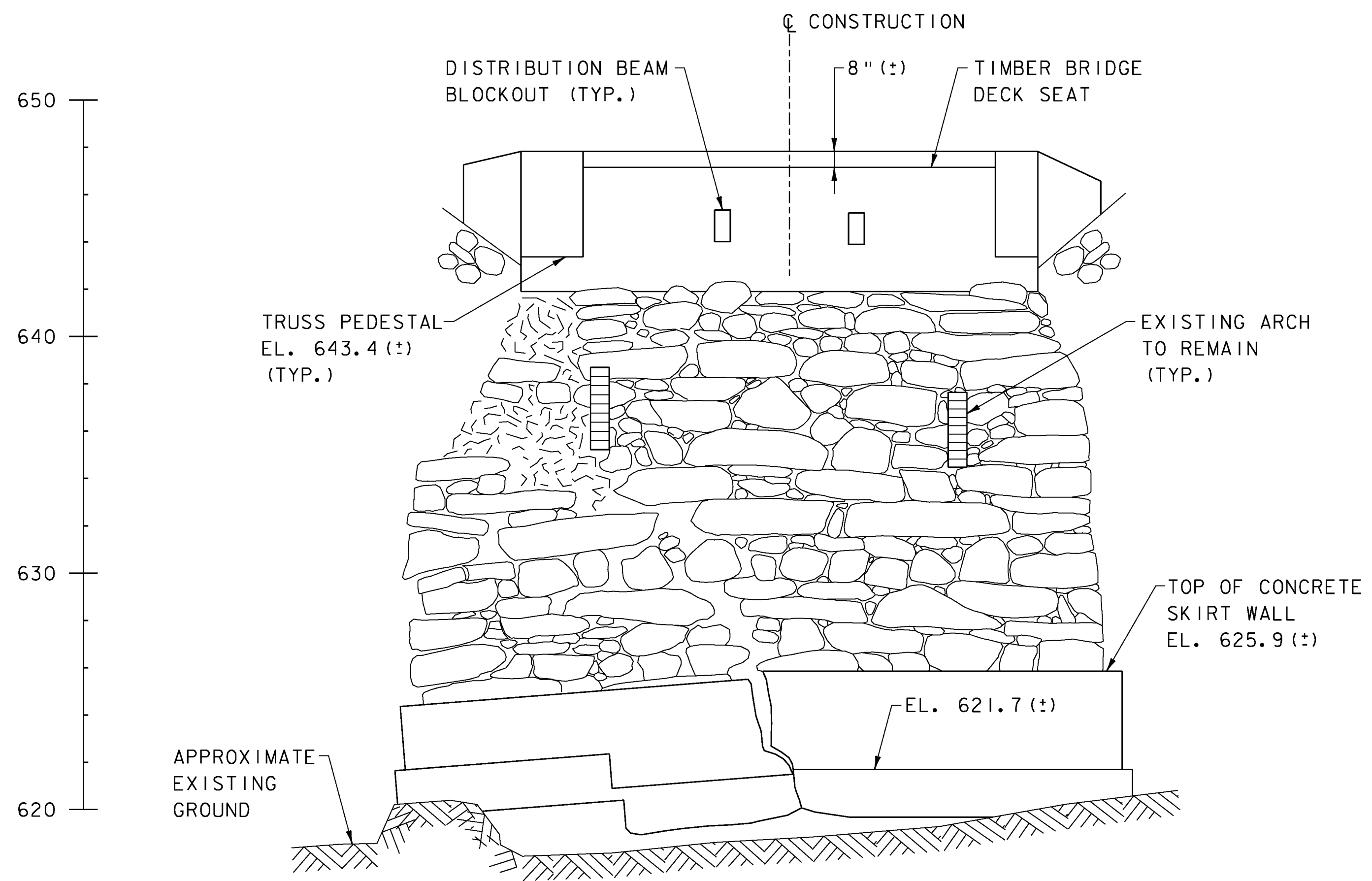
PLAN

SCALE: 1/4" = 1'-0"



TYPICAL SECTION

SCALE: 1/4" = 1'-0"

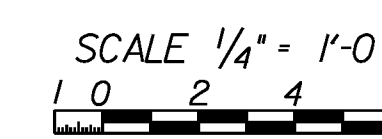


ELEVATION

SCALE: 1/4" = 1'-0"

NOTE

1. THIS DRAWING HAS BEEN PROVIDED FOR REFERENCE ONLY.



PROJECT NAME:	WOODSTOCK	WOODSTOCK	
PROJECT NUMBER:	BHO 1444(52)	ST 1444(58)	
FILE NAME:	z96j262abe.dgn	PLOT DATE:	29-JUN-2012
PROJECT LEADER:	M. Sargent	DRAWN BY:	S. Merkwon
DESIGNED BY:	S. Merkwon	CHECKED BY:	R. Joy
EXISTING ABUTMENT NO.1		SHEET	47 OF 68