

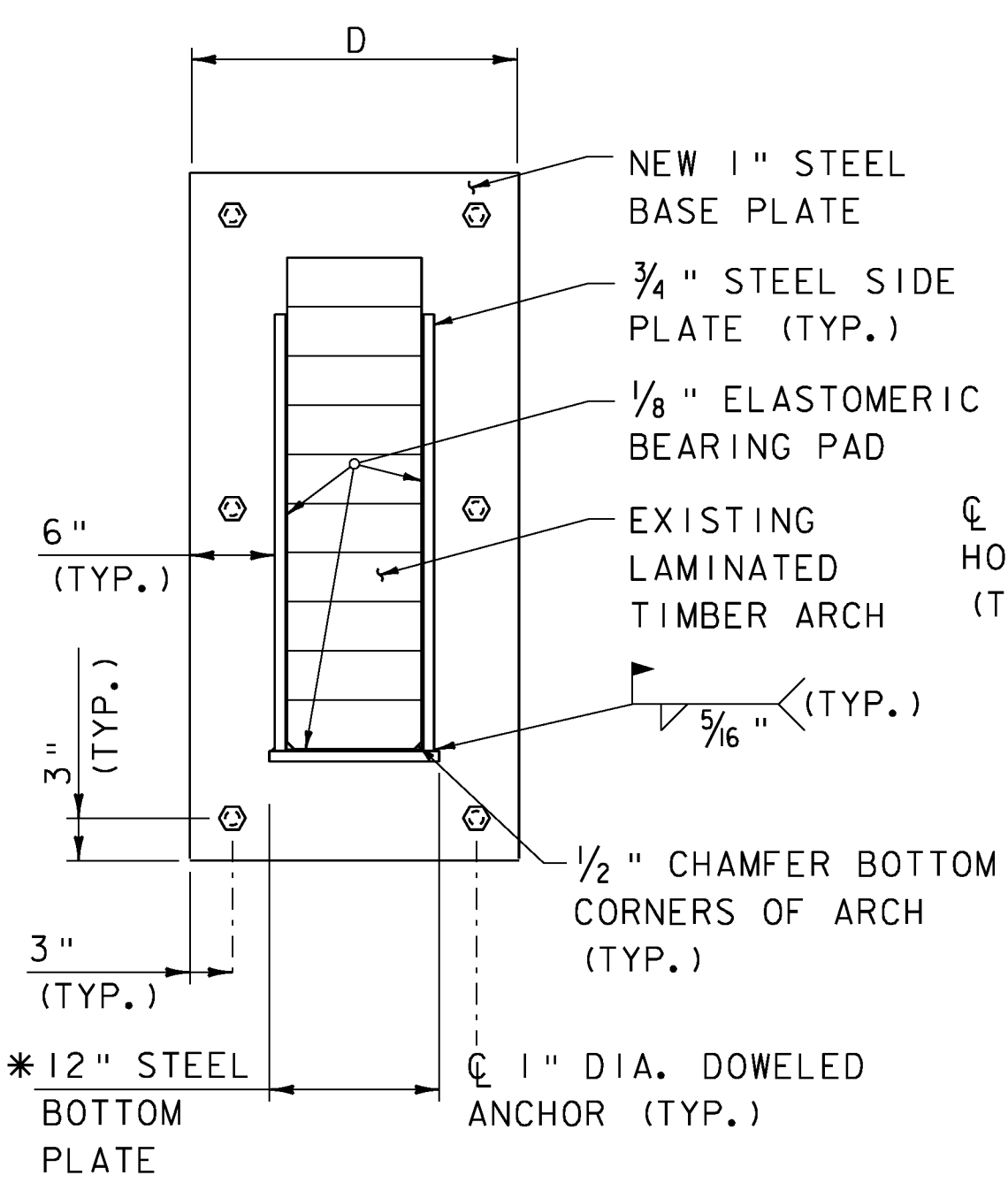
* CAST 15 INCHES MIN. INTO CONCRETE. BURR THREADS LIGHTLY AFTER NUT INSTALLATION TO PREVENT REMOVAL

ABUTMENT NO. 1 ARCH CONNECTION
(NORTH TRUSS - LOOKING NORTH)
SCALE: 3/4" = 1'-0"

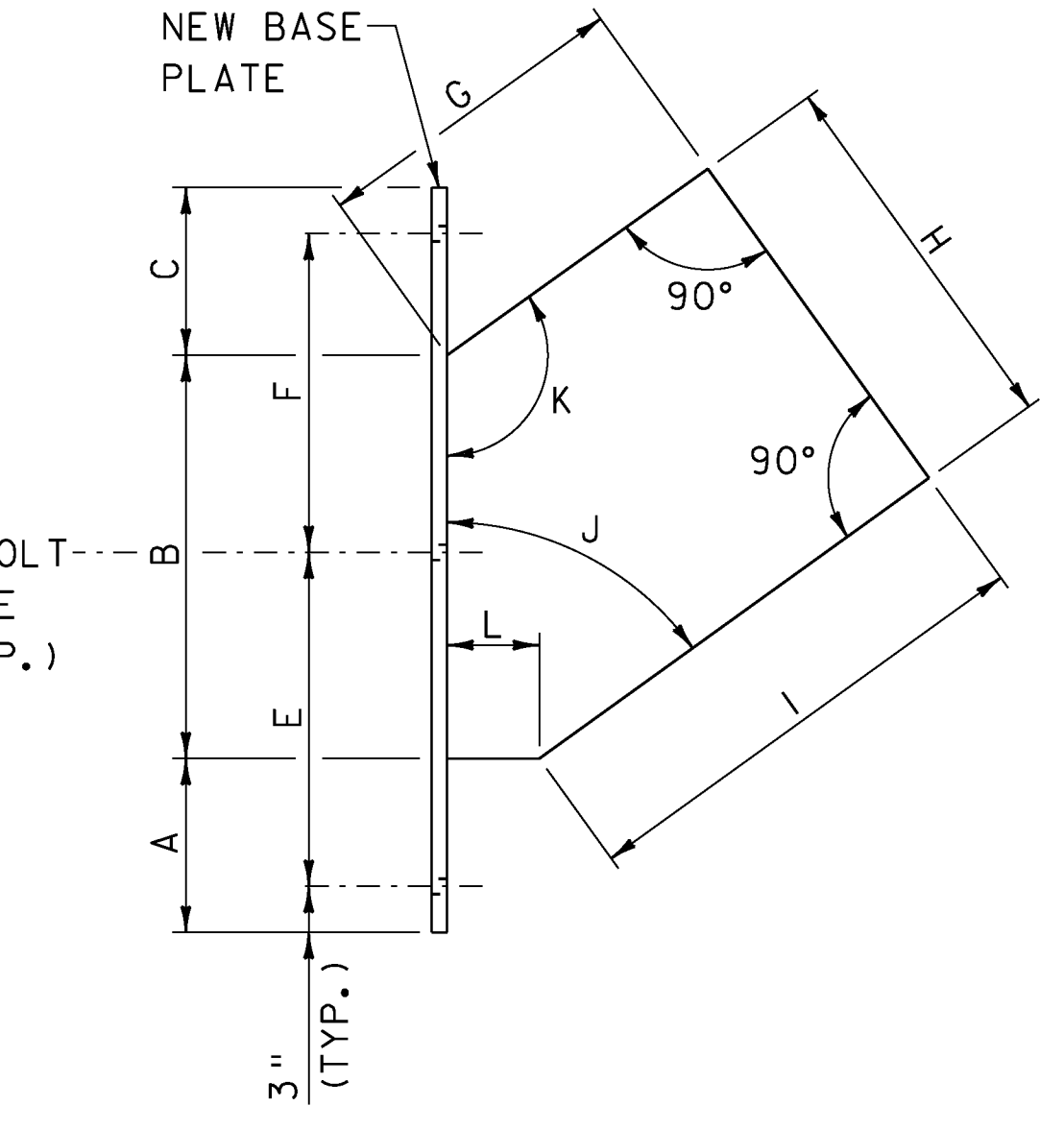
WEST PIER ARCH CONNECTION
(NORTH TRUSS - LOOKING NORTH)
SCALE: 3/4" = 1'-0"

EAST PIER ARCH CONNECTION
(NORTH TRUSS - LOOKING NORTH)
SCALE: 3/4" = 1'-0"

ABUTMENT NO. 2 ARCH CONNECTION
(NORTH TRUSS - LOOKING NORTH)
SCALE: 3/4" = 1'-0"

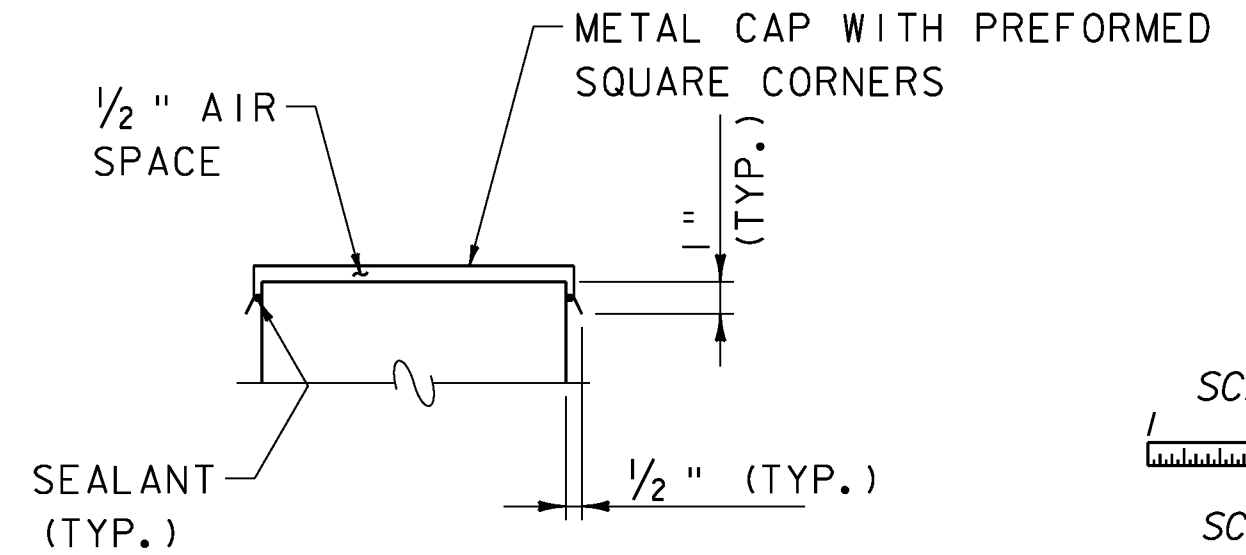


SECTION A-A
SCALE: 1/2" = 1'-0"

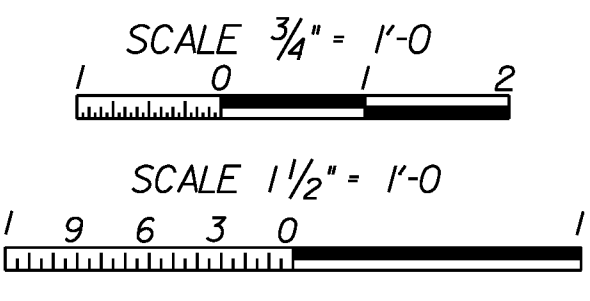


SIDE PLATE ELEVATION
SCALE: 1 1/2" = 1'-0"

STEEL PLATE DIMENSION TABLE (SEE NOTE 2)																
	ABUTMENT NO. 1 (NORTH)		ABUTMENT NO. 1 (SOUTH)		WEST PIER (NORTH)		WEST PIER (SOUTH)		EAST PIER (NORTH)		EAST PIER (SOUTH)		ABUTMENT NO. 2 (NORTH)		ABUTMENT NO. 2 (SOUTH)	
	EST.	ACTUAL	EST.	ACTUAL	EST.	ACTUAL	EST.	ACTUAL	EST.	ACTUAL	EST.	ACTUAL	EST.	ACTUAL	EST.	ACTUAL
BASE PLATE A	8"		8"		8"		8"		11 1/2"		11 1/2"		1'-1"		1'-1"	
B	2'-0"		2'-0"		2'-6"		2'-6"		2'-5 3/4"		2'-5 3/4"		2'-7 1/4"		2'-7 1/4"	
C	10"		10"		1'-1"		1'-1"		1'-1 1/4"		1'-1 1/4"		1'-1 3/4"		1'-1 3/4"	
D	2'-0"		2'-0"		2'-0"		2'-0"		2'-0"		2'-0"		2'-0"		2'-0"	
E	1'-6"		1'-6"		2'-4 1/2"		2'-4 1/2"		1'-11 1/4"		1'-11 1/4"		2'-2"		2'-2"	
F	1'-6"		1'-6"		2'-4 1/2"		2'-4 1/2"		1'-11 1/4"		1'-11 1/4"		2'-2"		2'-2"	
G	1'-11 1/4"		1'-11 1/4"		2'-0"		2'-0"		1'-9 1/2"		1'-9 1/2"		1'-10"		1'-10"	
H	2'-0"		2'-0"		2'-0"		2'-0"		2'-4"		2'-4"		2'-4 1/4"		2'-4 1/4"	
I	1'-11 1/4"		1'-11 1/4"		3'-7"		3'-7"		2'-8 3/4"		2'-8 3/4"		3'-0 1/2"		3'-0 1/2"	
J	90°		90°		40° 9'		40° 9'		56° 36'		56° 36'		51° 58'		51° 58'	
K	90°		90°		139° 51'		139° 51'		123° 24'		123° 24'		128° 2'		128° 2'	
L	0		0		6"		6"		6"		6"		6"		6"	



FLASHING DETAIL
SCALE: 2" = 1'-0"



* CONFIRM DIMENSION IN FIELD (TYP.)

NOTES

- ALL COSTS ASSOCIATED WITH CONSTRUCTION OF ARCH CONNECTIONS SHALL BE INCLUDED IN ITEM 900.620 SPECIAL PROVISION (TIMBER ARCH BEARING CONNECTION). SEE GENERAL NOTES AND SPECIAL PROVISIONS.
- THE ESTIMATED (EST.) DIMENSIONS DEPICTED HAVE BEEN PROVIDED FOR BIDDING PURPOSES ONLY. THE CONTRACTOR SHALL DEVELOP FINAL DIMENSIONS BASED ON ACTUAL FIELD MEASUREMENTS.



PROJECT NAME:	WOODSTOCK	WOODSTOCK
PROJECT NUMBER:	BHO 1442(52)	ST 1444(58)
FILE NAME:	z96j262ar2.dgn	PLOT DATE: 29-JUN-2012
PROJECT LEADER:	M. Sargent	DRAWN BY: P. Dustin
DESIGNED BY:	J. Hall/P. Dustin	CHECKED BY: R. Joy
ARCH DETAILS (2 OF 2)		SHEET 45 OF 68