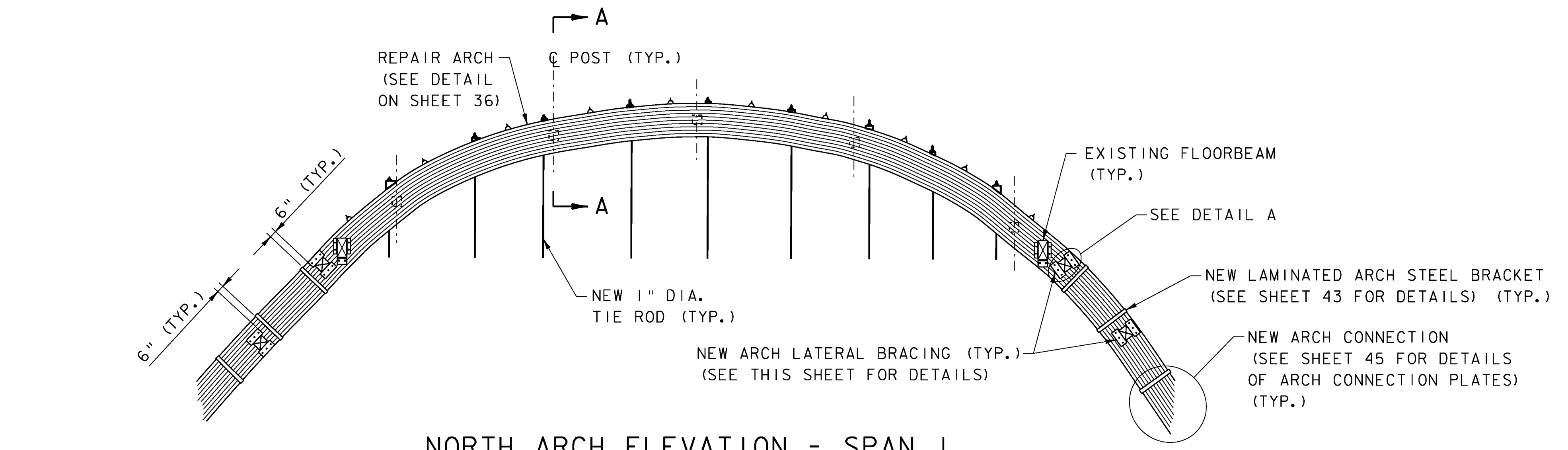
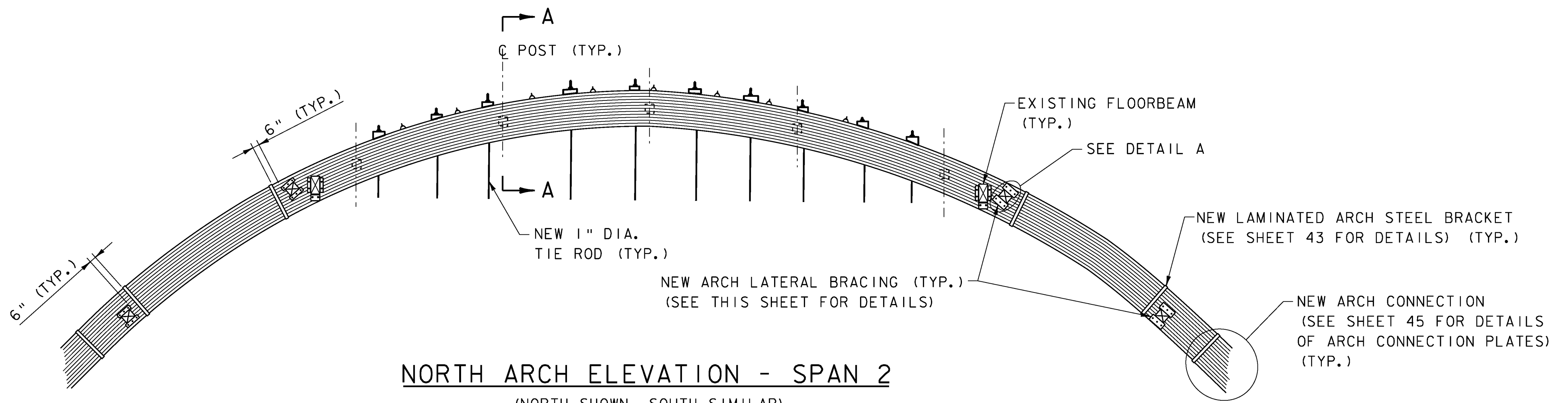


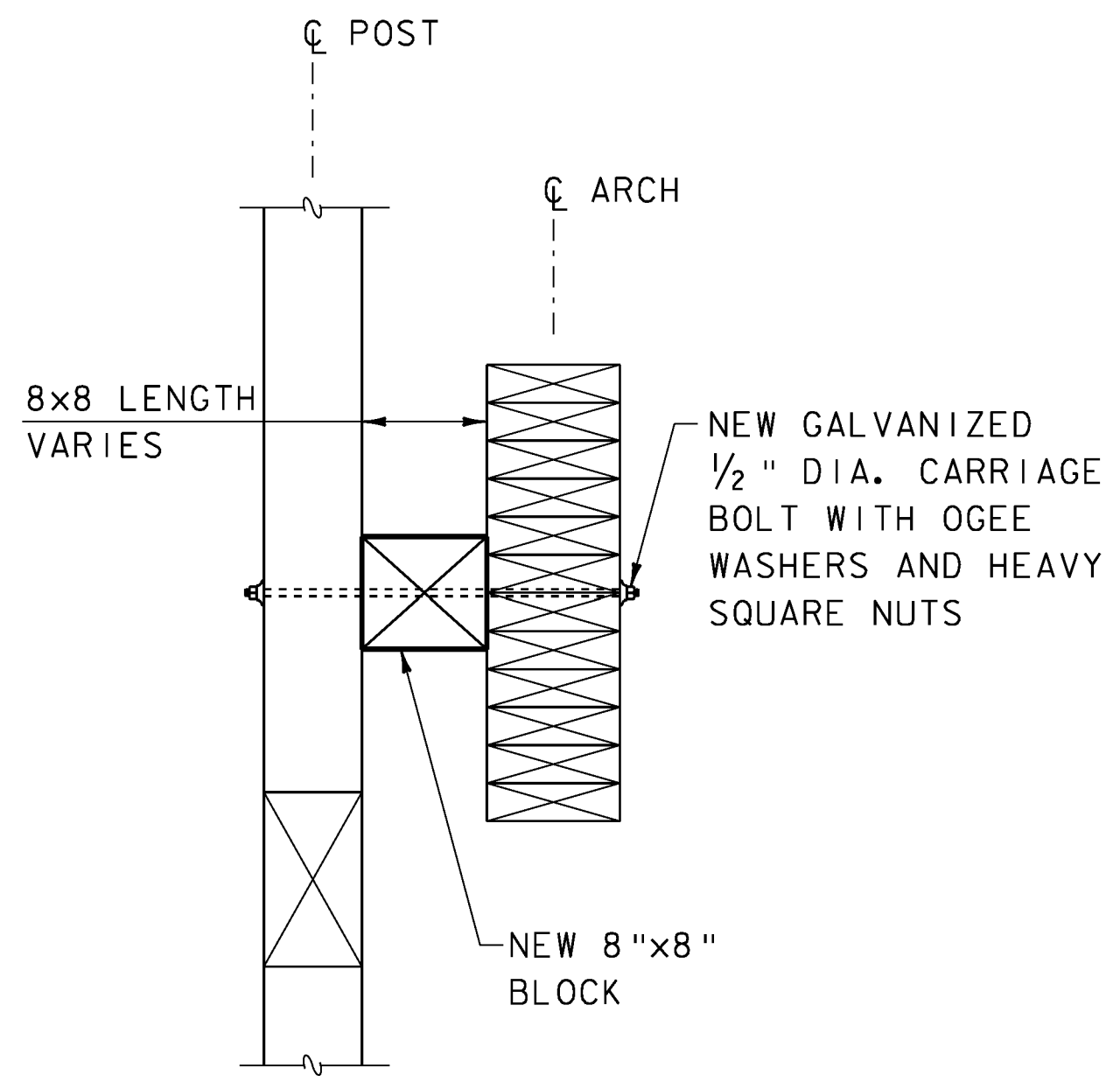
**LATERAL BRACING DETAIL**  
 (SPAN 1 SHOWN, SPAN 2 SIMILAR)  
 SCALE: 3/16" = 1'-0"



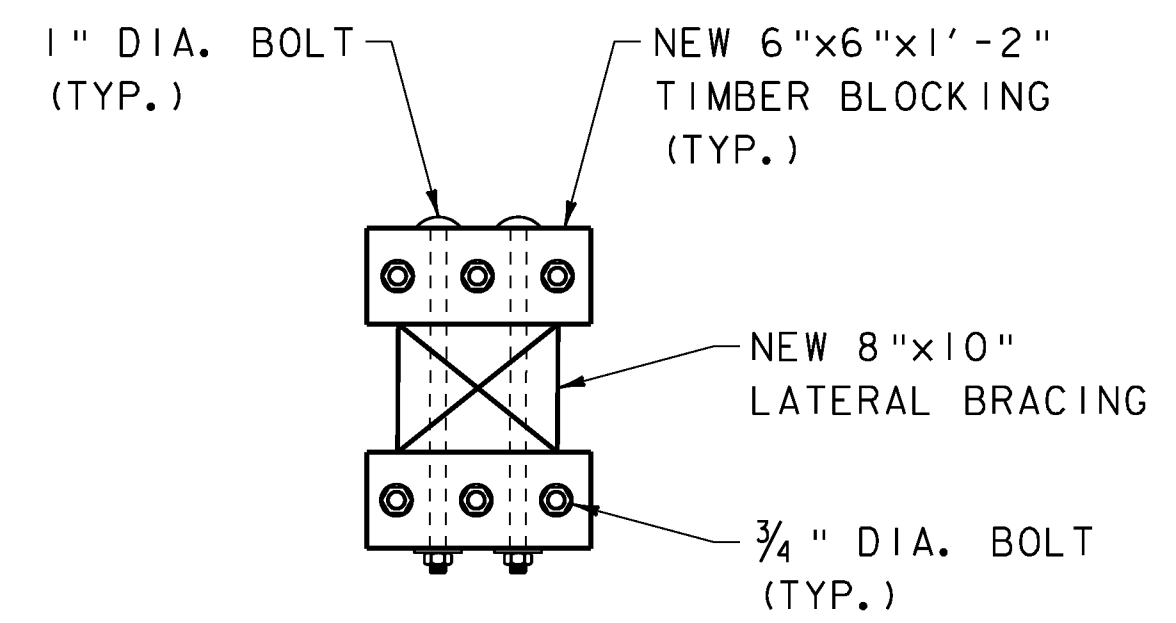
**NORTH ARCH ELEVATION - SPAN 1**  
 (NORTH SHOWN, SOUTH SIMILAR)  
 SCALE: 3/16" = 1'-0"



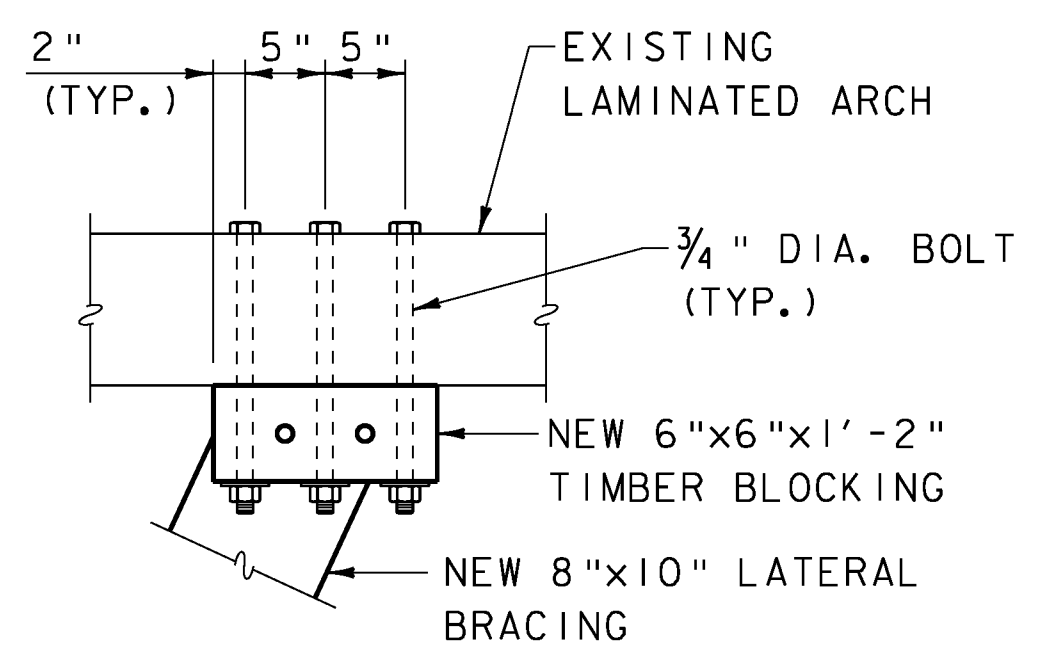
**NORTH ARCH ELEVATION - SPAN 2**  
 (NORTH SHOWN, SOUTH SIMILAR)  
 SCALE: 3/16" = 1'-0"



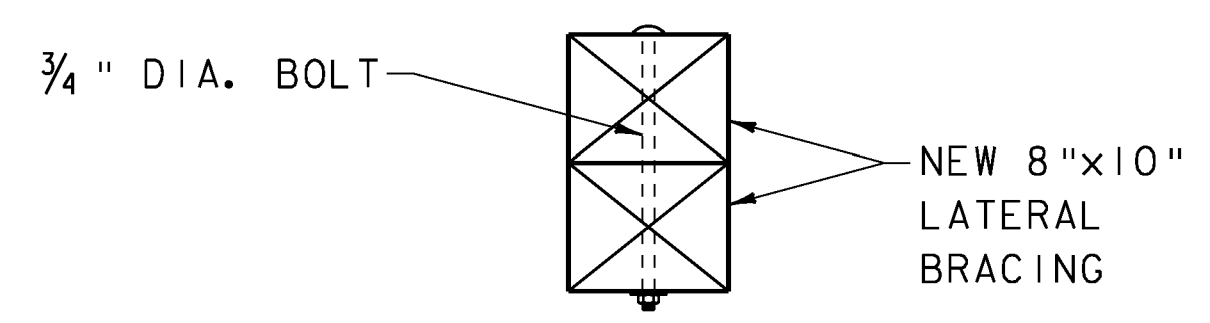
**SECTION A-A**  
 SCALE: 1" = 1'-0"



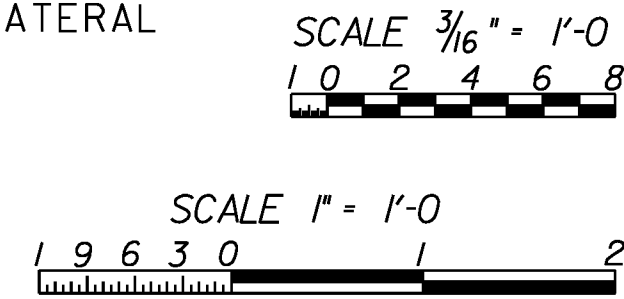
**DETAIL A**  
 SCALE: 1" = 1'-0"



**DETAIL B**  
 SCALE: 1" = 1'-0"



**SECTION C-C**  
 SCALE: 1" = 1'-0"



PROJECT NAME:	WOODSTOCK	WOODSTOCK
PROJECT NUMBER:	BHO 1442(52)	ST 1444(58)
FILE NAME:	z96j262ar1.dgn	PLOT DATE: 29-JUN-2012
PROJECT LEADER:	M. Sargent	DRAWN BY: S. Merkwon
DESIGNED BY:	J. Hall	CHECKED BY: R. Joy
ARCH DETAILS (10F 2)		SHEET 44 OF 68

