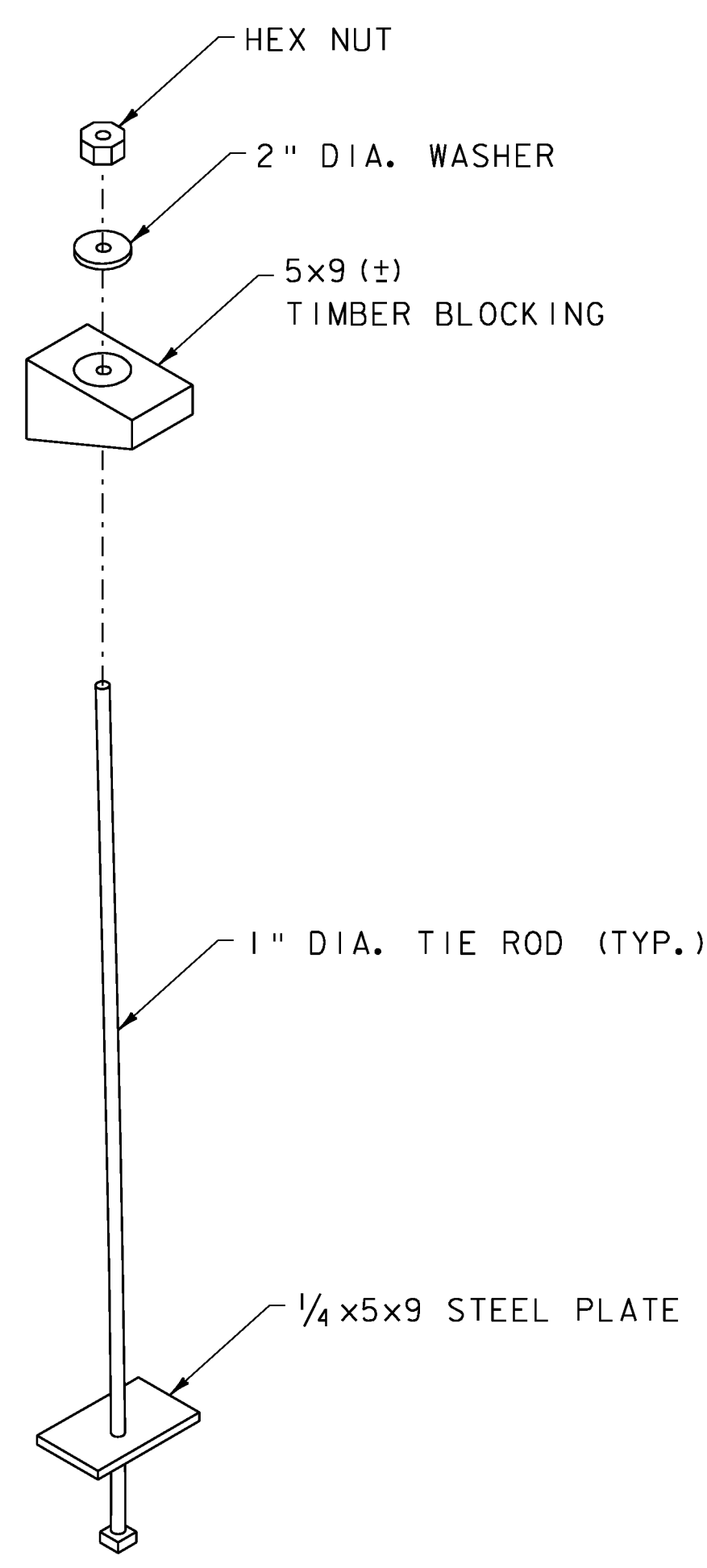
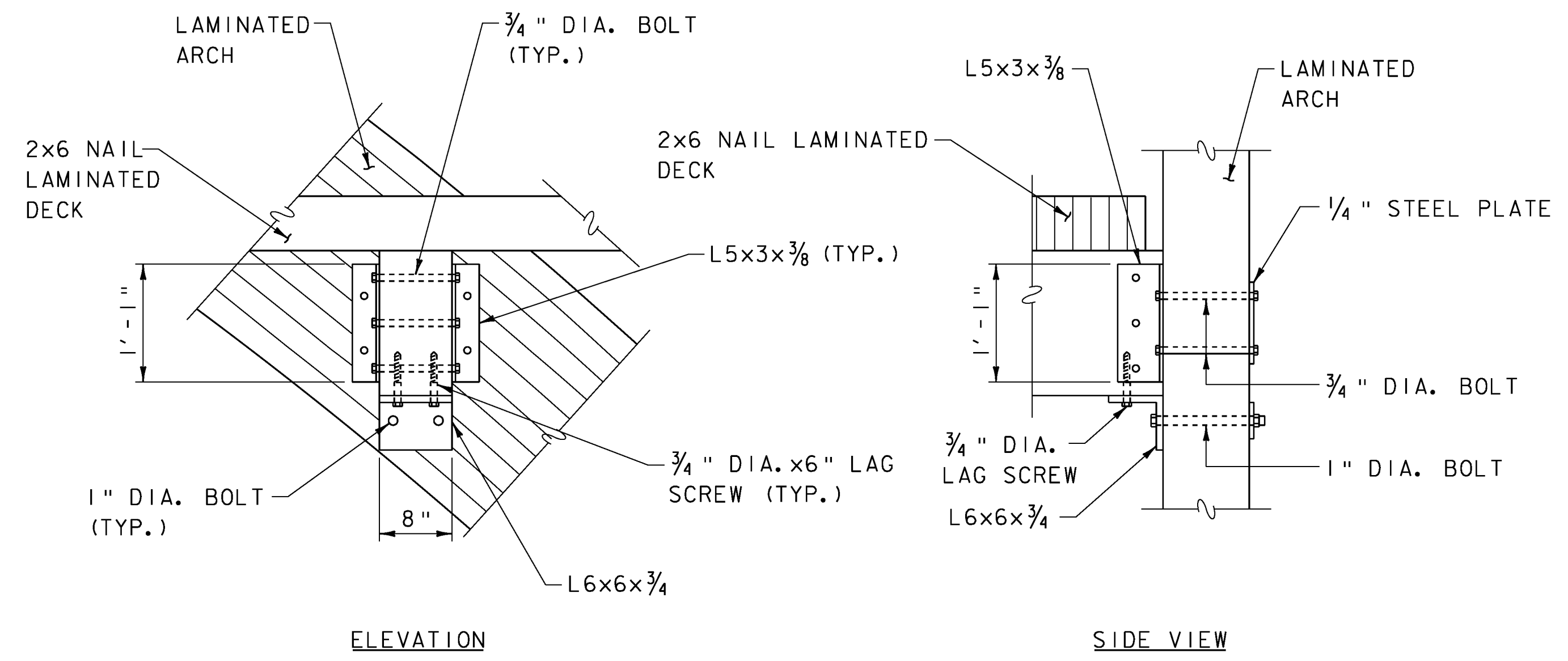


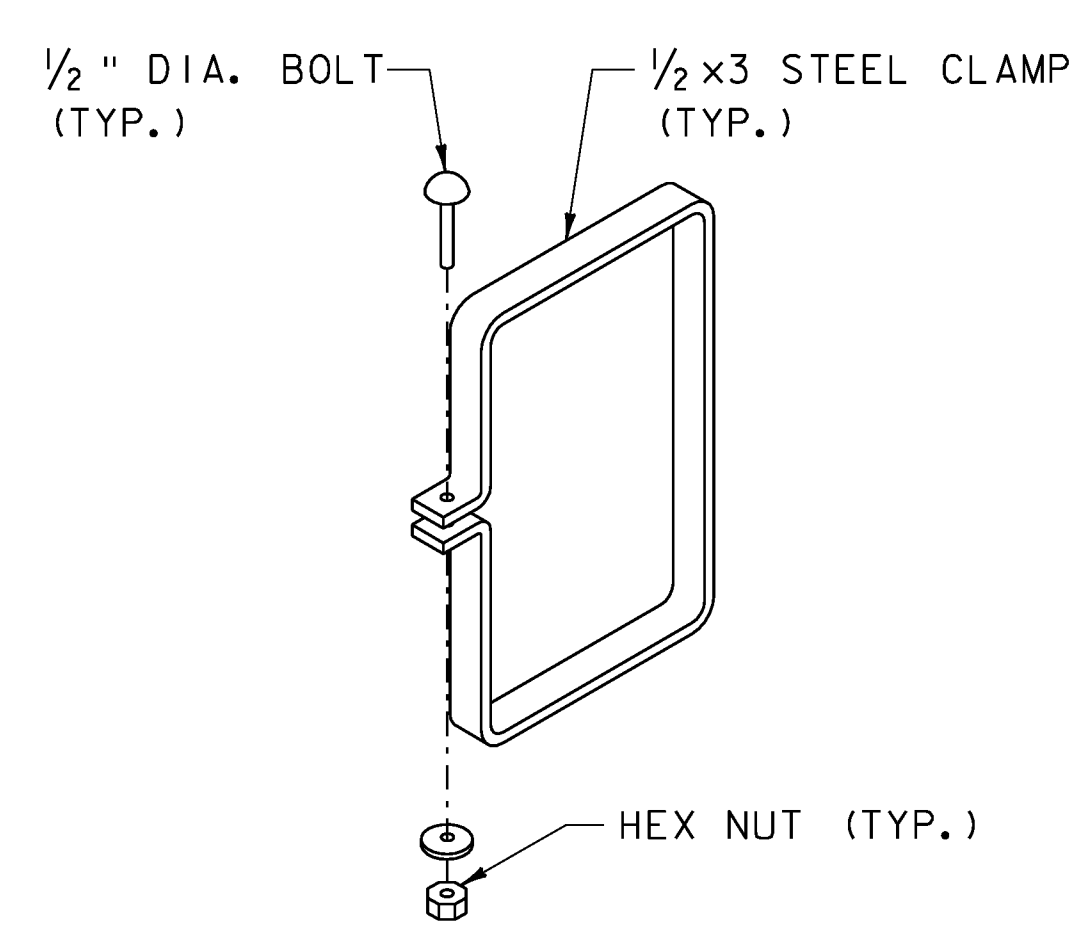
**TRUSS DOUBLE TENSION RODS**  
SCALE: 1" = 1'-0"



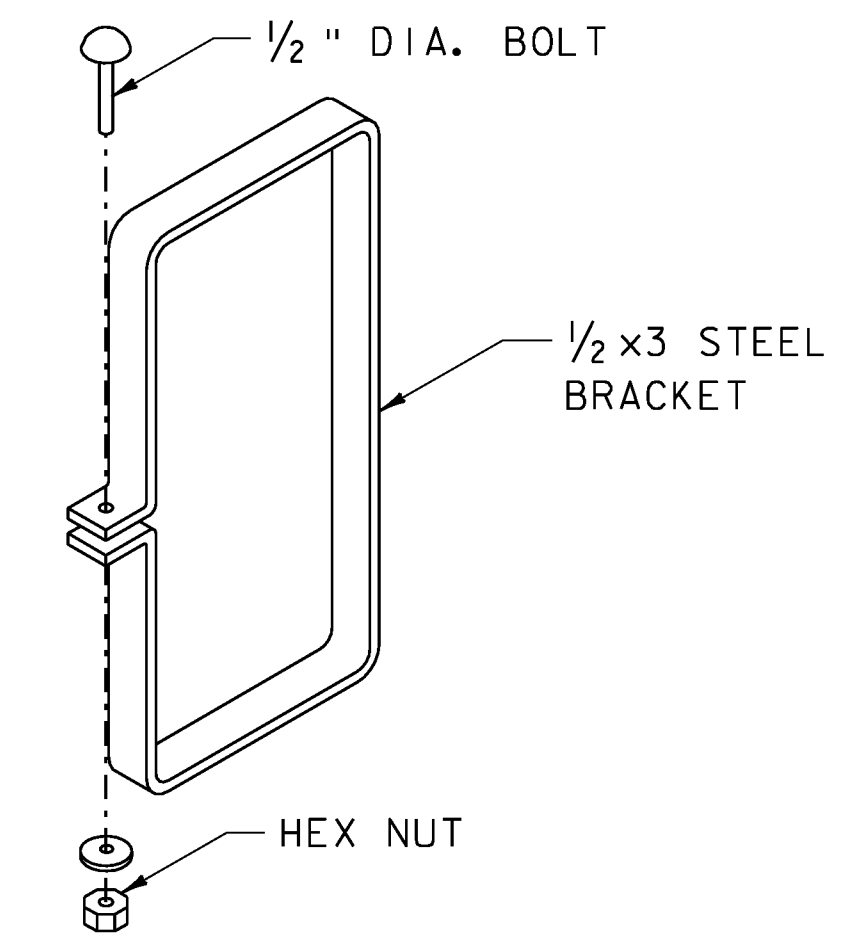
**TENSION ROD AT ARCH AND FLOORBEAM**  
SCALE: 1" = 1'-0"



**ARCH/FLOORBEAM CONNECTION**  
SCALE: 1" = 1'-0"

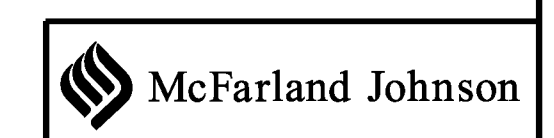
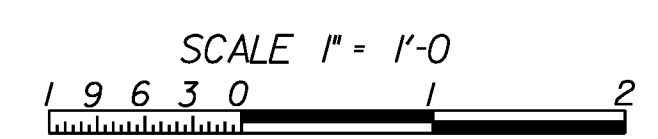


**LOWER CHORD BRACKET**  
SCALE: 1" = 1'-0"



**ARCH STEEL BRACKET**  
SCALE: 1" = 1'-0"

NOTE:  
FINAL DIMENSIONS OF TIMBER BLOCKING SHALL BE DEVELOPED BY THE CONTRACTOR TO THE SATISFACTION OF THE RESIDENT ENGINEER.



PROJECT NAME:	WOODSTOCK	WOODSTOCK
PROJECT NUMBER:	BHO 1444(52)	ST 1444(58)
FILE NAME:	z96j262d11.dgn	PLOT DATE: 29-JUN-2012
PROJECT LEADER:	M. Sargent	DRAWN BY: P. Dustin
DESIGNED BY:	P. Dustin	CHECKED BY: R. Joy
BRIDGE DETAILS (11 OF 11)		SHEET 43 OF 68