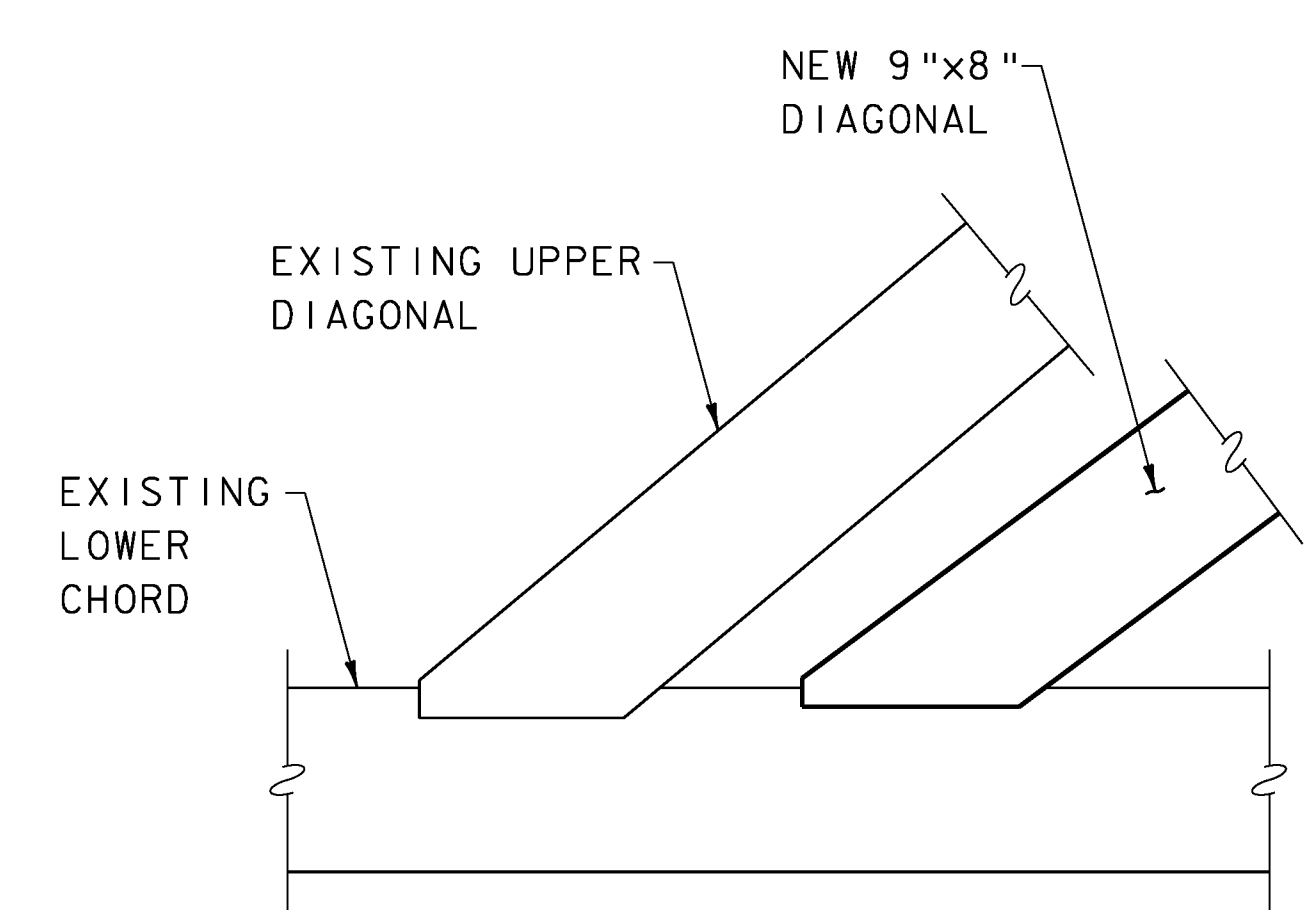


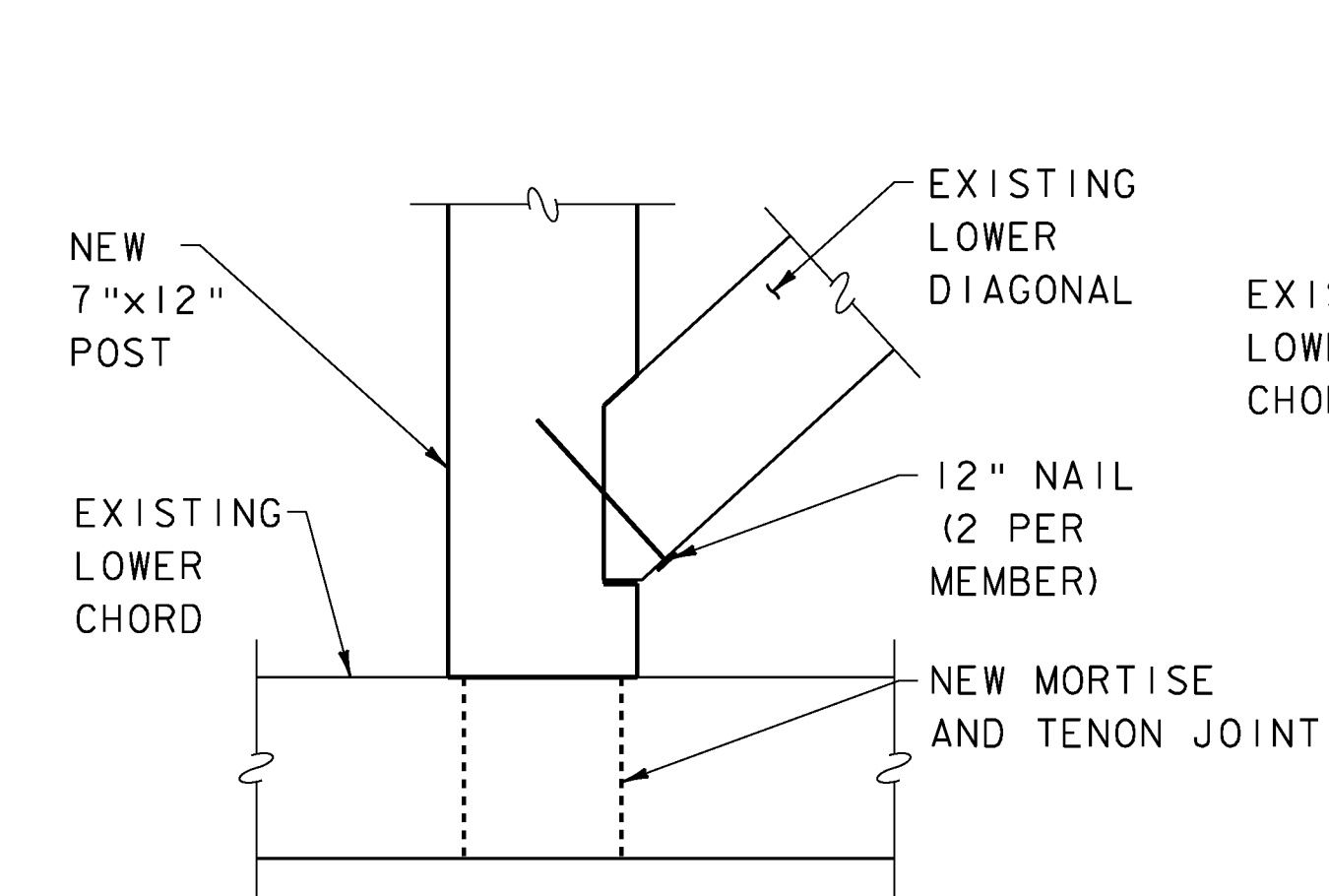
JOINT DETAIL "J6"

SCALE: 1" = 1'-0"



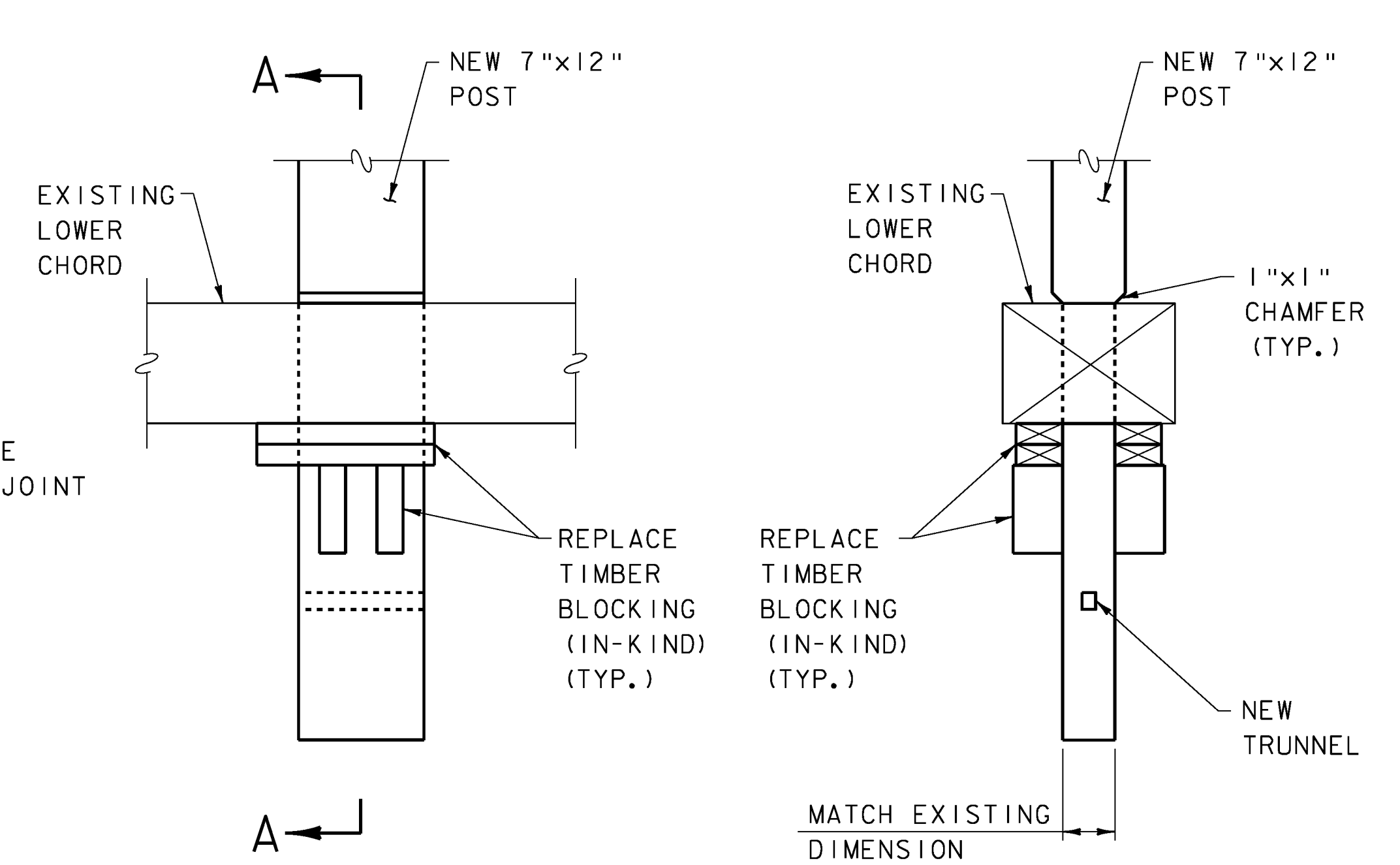
JOINT DETAIL "J7"

SCALE: 1" = 1'-0"



JOINT DETAIL "J8"

SCALE: 1" = 1'-0"

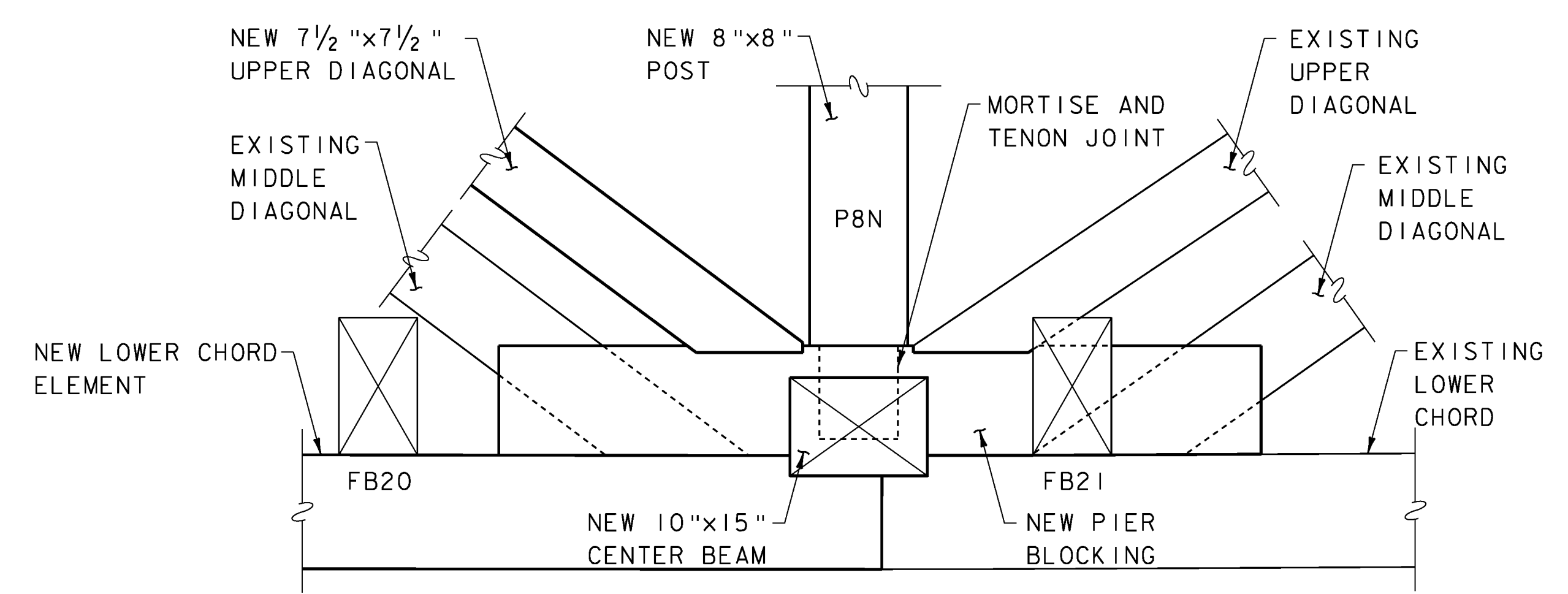


ELEVATION

SECTION A-A

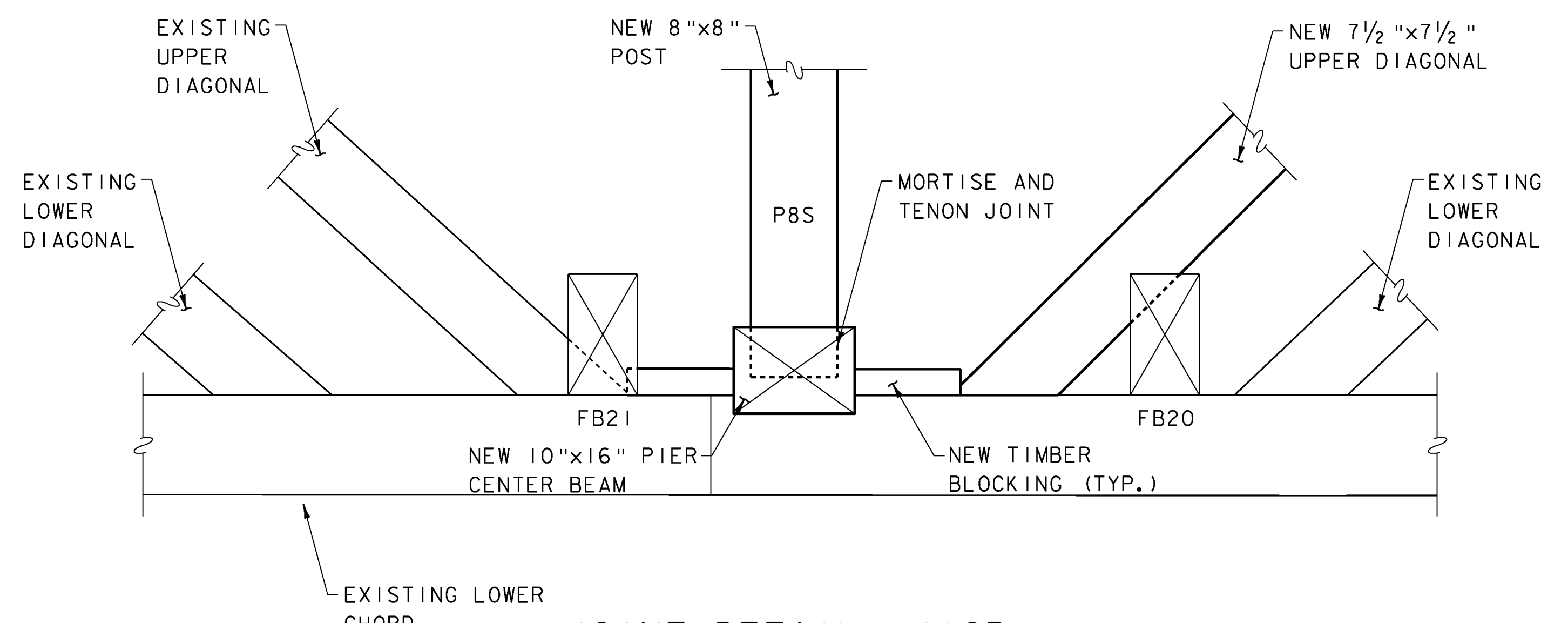
JOINT DETAIL "J9"

SCALE: 1" = 1'-0"



JOINT DETAIL "J10A"

(NORTH TRUSS)
SCALE: 1" = 1'-0"

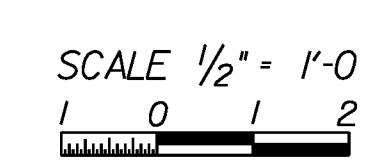


JOINT DETAIL "J10B"

(SOUTH TRUSS)
SCALE: 1" = 1'-0"

NOTES

1. ALL MEMBERS TO BE FIELD MEASURED AND CONNECTIONS VERIFIED PRIOR TO ORDERING NEW TIMBER.
2. ONCE A PORTION OF THE EXISTING BRIDGE DECK IS REMOVED FROM OVER THE PIER AREA, THE CONTRACTOR SHALL JOINTLY INSPECT THE TIMBER JOINERY AT JOINTS J10A AND J10B WITH THE RESIDENT ENGINEER TO DETERMINE THE FINAL SIZES OF NEW MEMBERS AT THESE JOINTS. ALL COSTS SHALL BE INCLUDED IN ITEM 900.645, SPECIAL PROVISION (REHABILITATING COVERED BRIDGE SUPERSTRUCTURE).



PROJECT NAME: WOODSTOCK	WOODSTOCK
PROJECT NUMBER: BHO 1444(52)	ST 1444(58)
FILE NAME: z96j262d09.dgn	PLOT DATE: 10-JUL-2012
PROJECT LEADER: M. Sargent	DRAWN BY: P. Dustin
DESIGNED BY: J. Hall/P. Dustin	CHECKED BY: R. Joy
BRIDGE DETAILS (9 OF 11)	SHEET 41 OF 68