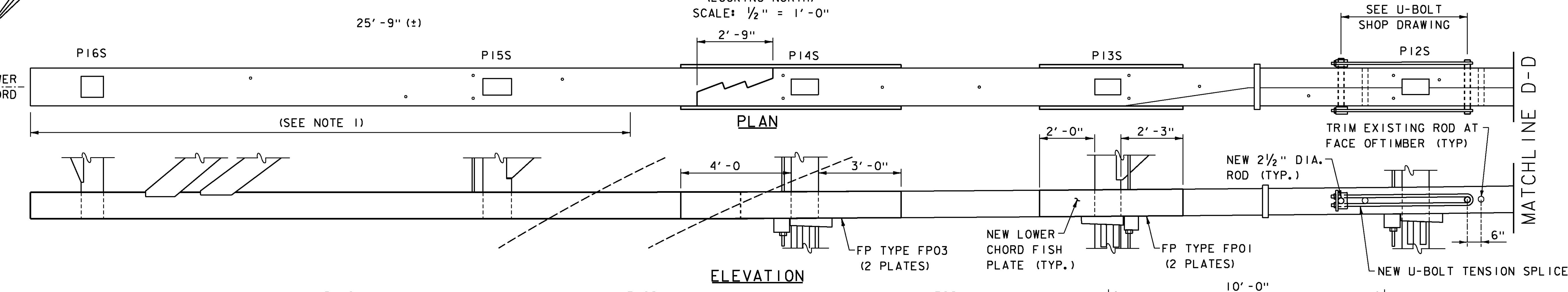
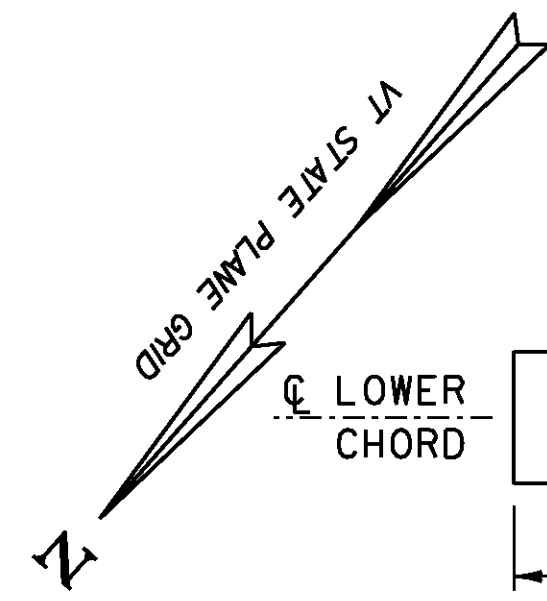


SPAN 2 - LOWER CHORD (NORTH)

(LOOKING NORTH)
SCALE: 1/2" = 1'-0"

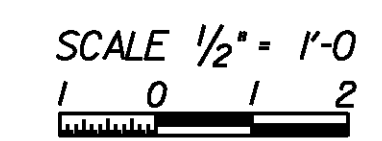


SPAN 2 - LOWER CHORD (SOUTH)

(LOOKING SOUTH)
SCALE: 1/2" = 1'-0"

NOTES

- 1. PORTION OF LOWER CHORD REPLACED IN 1952
- 2. FOR FISH PLATE TABLE, SEE BRIDGE SHEET 37A



1/7/2013 UPDATE LIMITS OF REPAIR

PROJECT NAME: WOODSTOCK	WOODSTOCK
PROJECT NUMBER: BHO 1444(52)	ST 1444(58)
FILE NAME: z96j262d06.dgn	PLOT DATE: ****DATE***
PROJECT LEADER: M. Sargent	DRAWN BY: P. Dustin
DESIGNED BY: J. Hall / S. Della	CHECKED BY: R. Joy
BRIDGE DETAILS (6 OF 11)	SHEET 38A OF 68