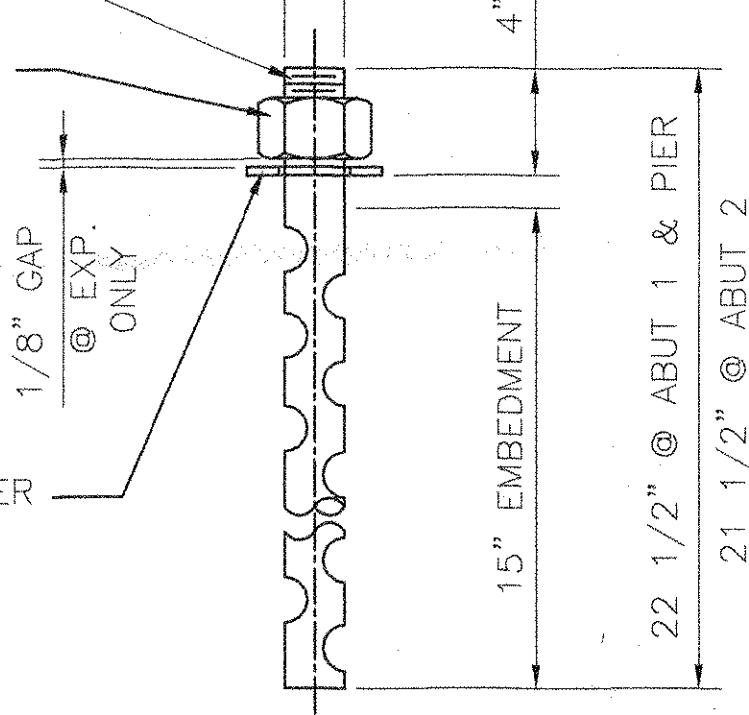


PREVENT NUT REMOVAL (TYP.)

HEAVY HEX NUT SHALL BE
FINGER TIGHT ONLY

(1) 3/8 x 3" SQUARE WASHER

1/8" GAP
@ EXP.
ONLY



ANCHOR BOLT DETAIL

N.T.S.

1 1/2" ϕ ASTM F1554 GRADE 55, SWEDGED
ANCHOR BOLT WITH (1) ASTM A563 HEAVY
HEX NUT & (1) 3/8" x 3" x 3" ASTM A36
PLATE WASHER WITH 1 7/8" ϕ HOLE @ Q,
ALL GALVANIZED