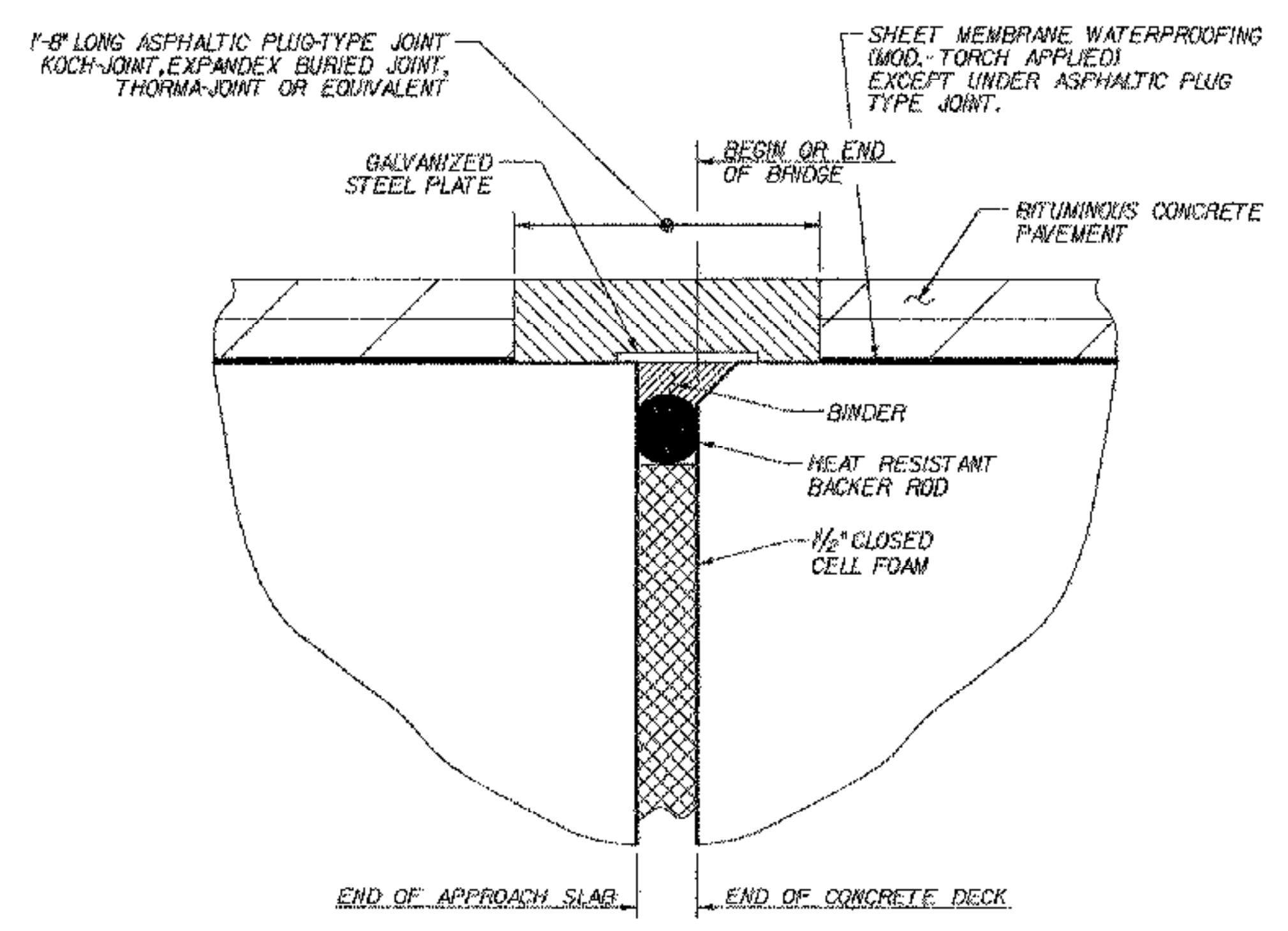
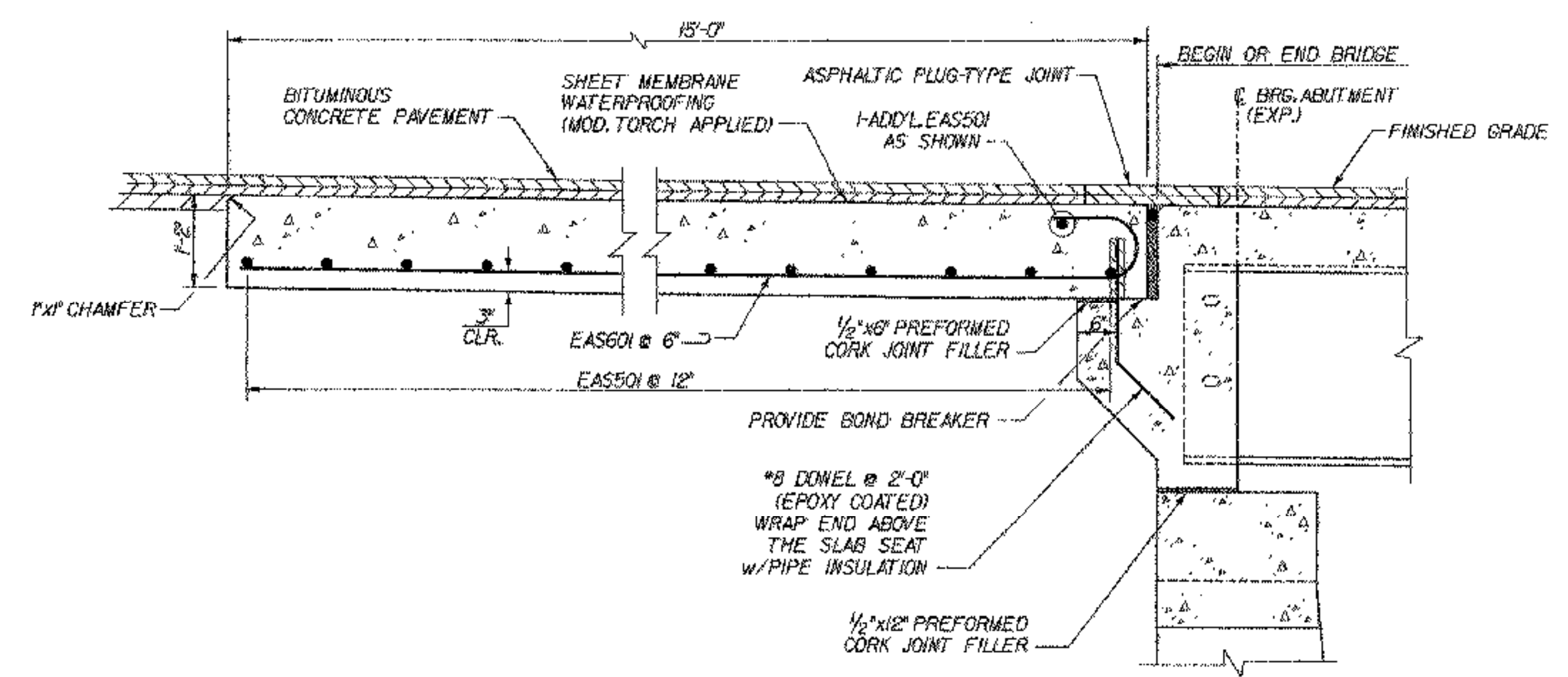


APPROACH SLAB PLAN

SCALE 1/4" = 1'-0"
 0 2 4 6 8



DETAIL FOR JOINT IN PAVEMENT AND SHEET MEMBRANE AT EXPANSION ENDS OF BRIDGE



APPROACH SLAB SECTION

SCALE 3/4" = 1'-0"
 0 2 4 6 8

STATE OF VERMONT AGENCY OF TRANSPORTATION			
Town Of	NORWICH	Bridge No.	46
Highway No.	T.H. 3	Log Sta.	
TOWN HIGHWAY NO. 3 OVER OMPOMPANOOSUC RIVER			
APPROACH SLAB DETAILS			
Designed By	S. BURBANK	Drawn By	A. THIRIAULT
Checked By	M. CHENETTE	Date	12/03
		Bridge Design Supervisor	M. CHENETTE
		Date	12/03
PROJECT	NORWICH	PROJECT NO.	TH2-9625
DH CAD Filename: ...Norw-approslab.dgn		Plot Date:	03/31/2004
Bridge Sheet No.		Sheet	25 of 40

