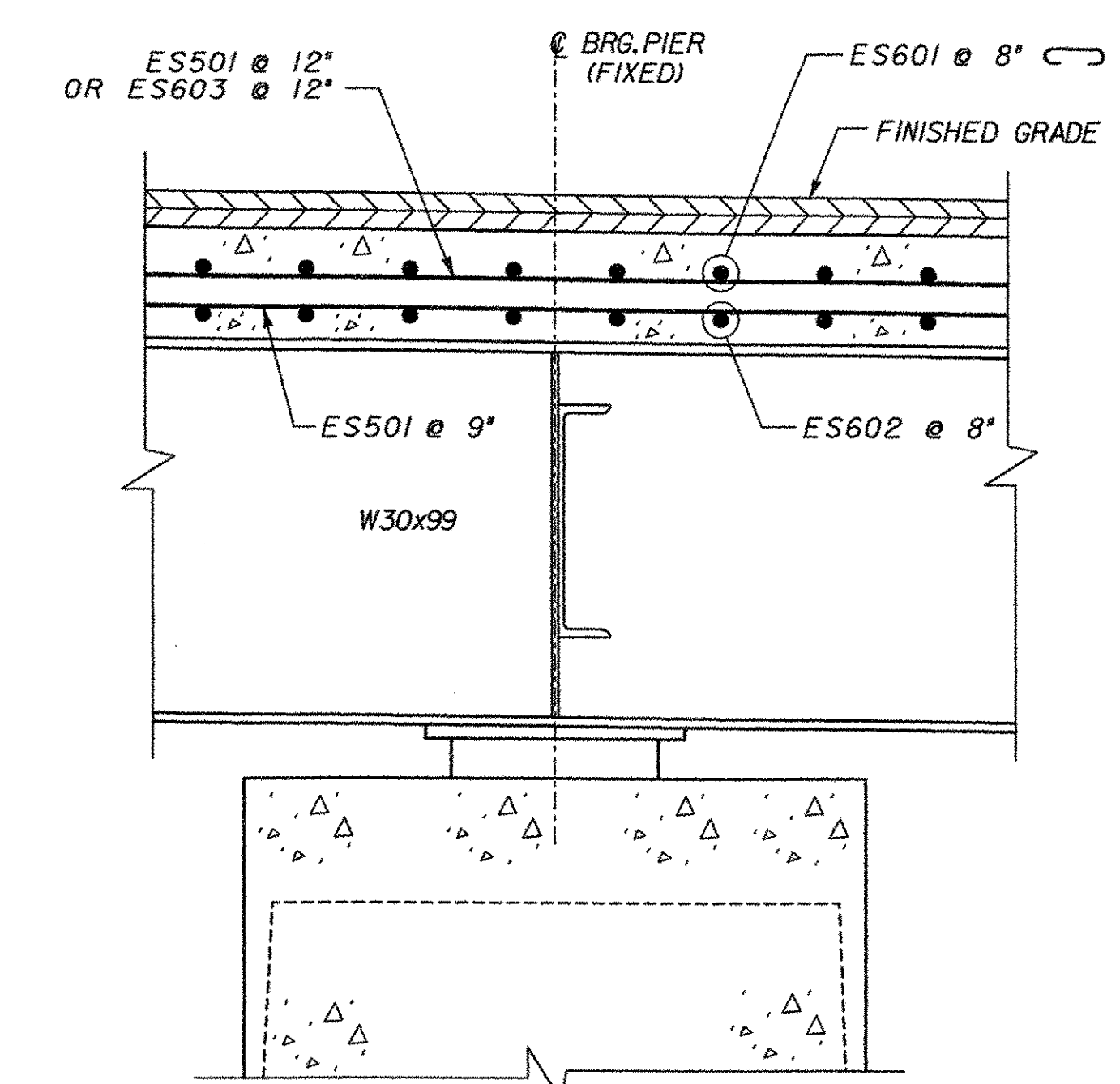
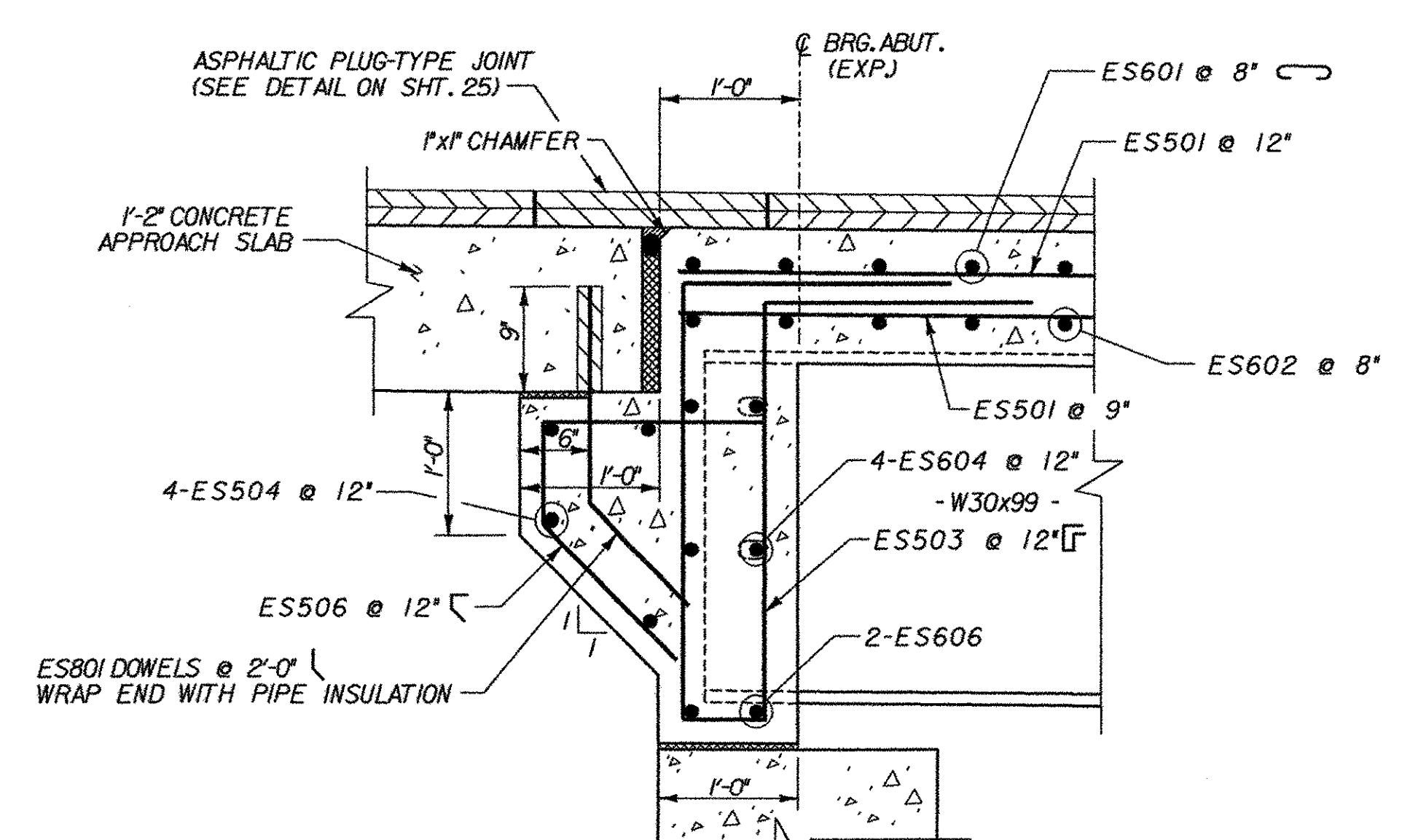


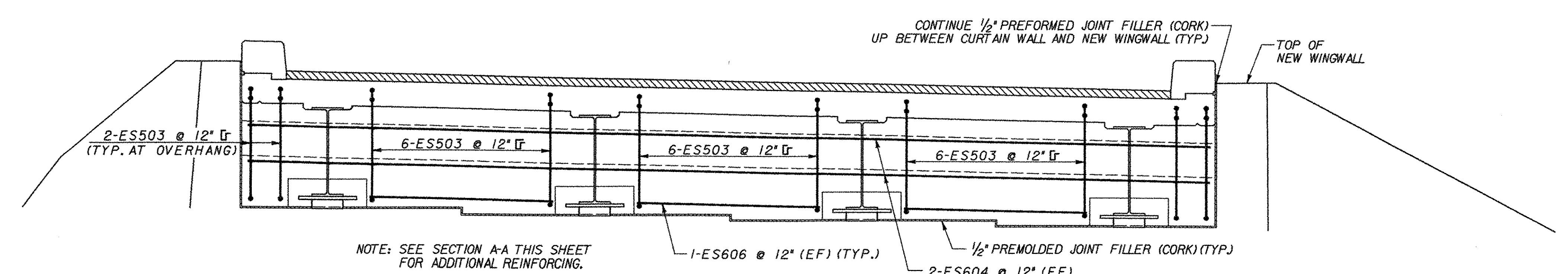
DECK REINFORCING PLAN
SCALE 3/16" = 1'-0"
1 0 2 4 6 8



SECTION B-B
SCALE 1" = 1'-0"
1 0 2 4 6 8



SECTION A-A
(ABUTMENT 2 SIMILAR)
SCALE 1" = 1'-0"
1 0 2 4 6 8



CURTAIN WALL ELEVATION
(ABUT. 1 SHOWN, ABUT. 2 SIMILAR)
SCALE 1/2" = 1'-0"
1 0 1 2

STATE OF VERMONT AGENCY OF TRANSPORTATION			
Town Of	NORWICH	Bridge No.	46
Highway No.	T.H. 3	Log Sta.	
		Surv. Sta.	
TOWN HIGHWAY NO. 3 OVER OMPOMPANOOSUC RIVER			
DECK REINFORCING PLAN			
Designed By	S. BURBANK	Drawn By	A. THIBAUT
Checked By	Date	Bridge Design Supervisor	
M. CHENETTE	12/03	M. CHENETTE	Date 12/03
PROJECT	NORWICH	PROJECT NO.	TH2-9625
DH CAD Filename: ... \Norw-deck.dgn		Plot Date: 03/31/2004	
Bridge Sheet No.		Sheet	19 of 40

