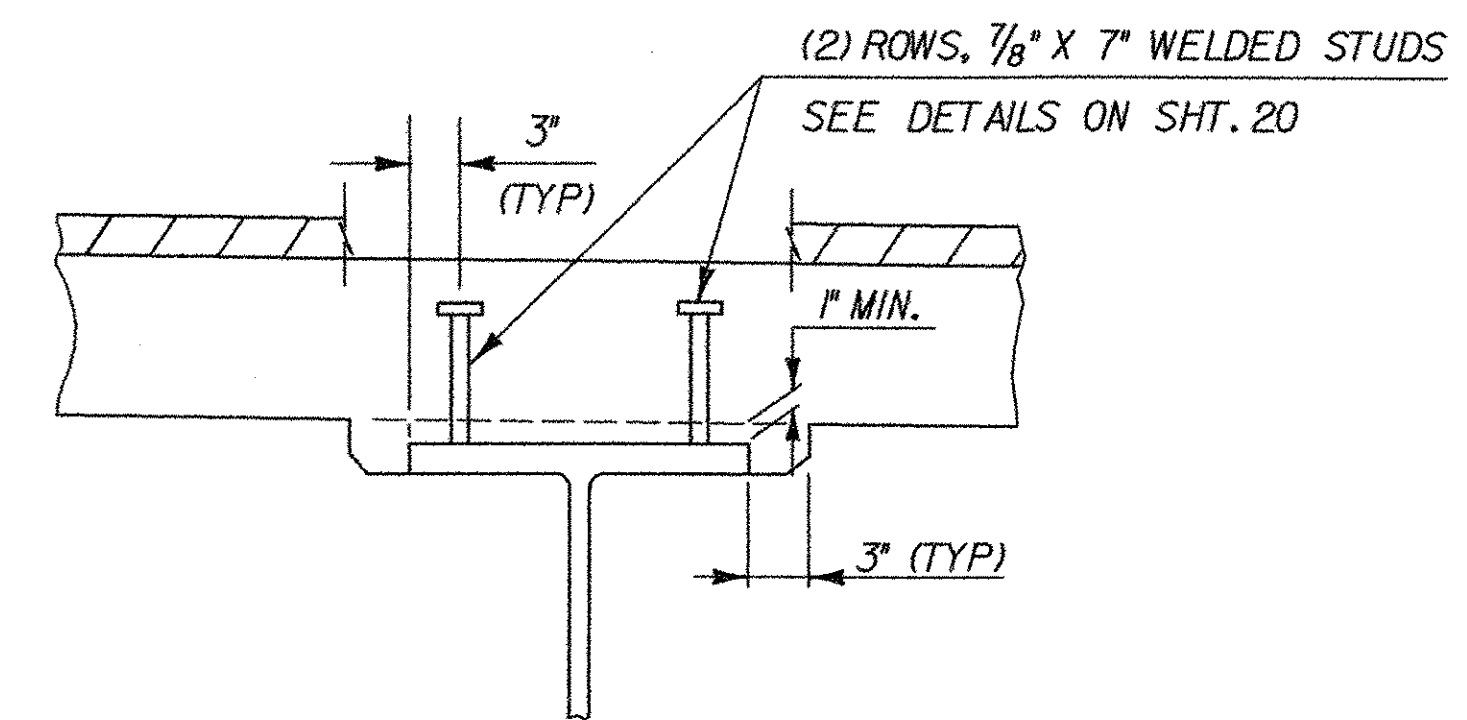
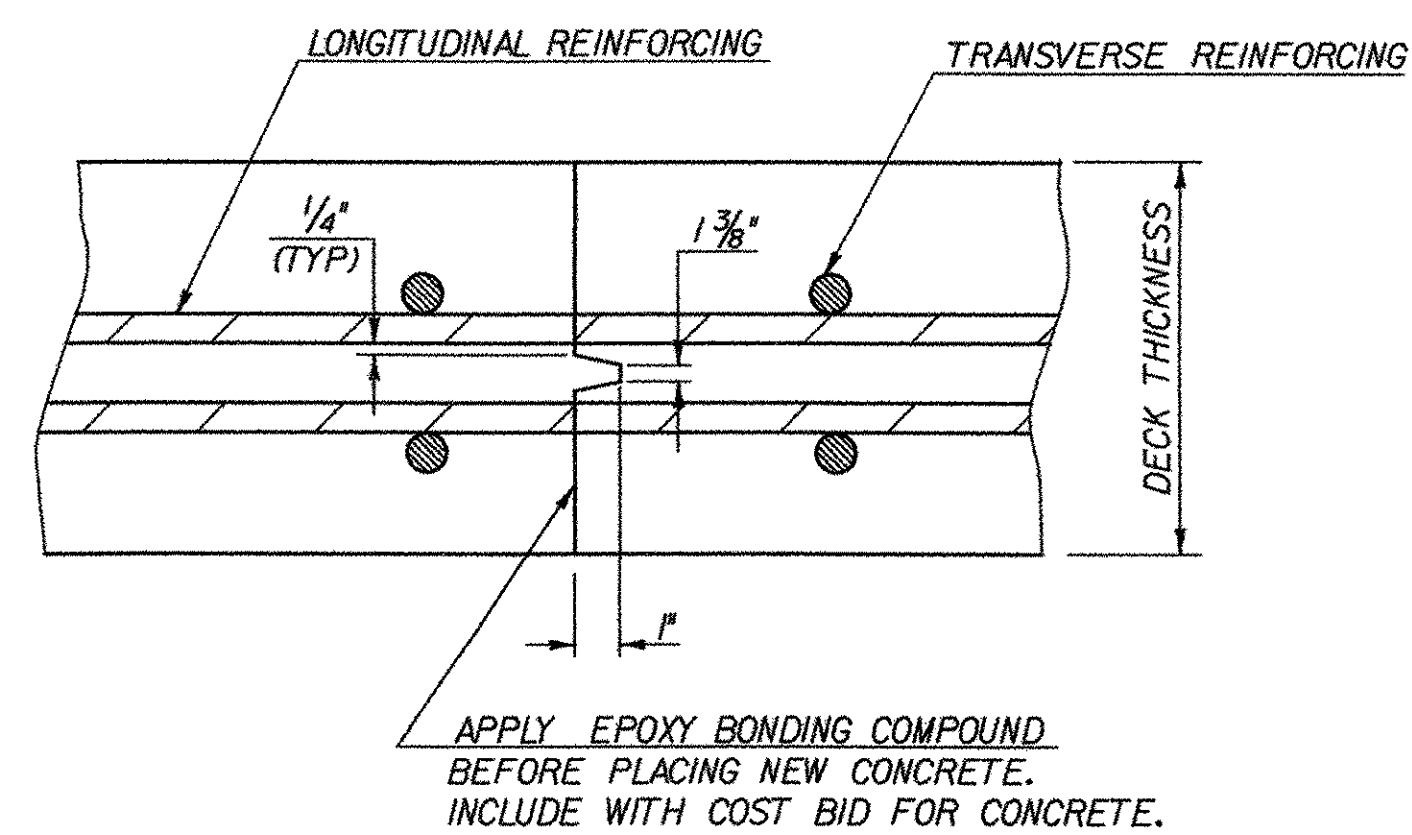


TYPICAL BRIDGE SECTION

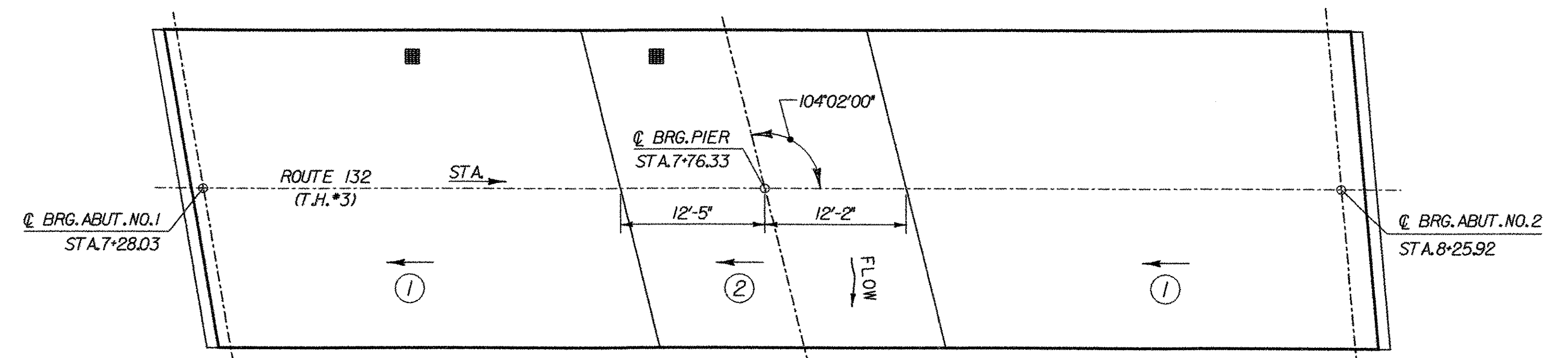
SCALE 1/2" = 1'-0"  
 1 0 1 2



HAUNCH AND SHEAR CONNECTOR DETAILS



TRANSVERSE BRIDGE SLAB CONSTRUCTION JOINT DETAIL



- NOTES:  
 1. THE ARROWS INDICATE THE DIRECTION OF THE CONCRETE PLACEMENT  
 2. ① - INDICATES THE POUR SEQUENCE.  
 3. SEE PROJECT NOTES (SHT. 17) FOR ADDITIONAL DECK POUR NOTES.  
 4. THE CONTRACTOR MAY SUBMIT AN ALTERNATE POUR PLAN TO THE ENGINEER FOR REVIEW.

POUR SEQUENCE

SCALE 1/8" = 1'-0"  
 1 0 2 4 6 8

STATE OF VERMONT  
 AGENCY OF TRANSPORTATION

Town Of	NORWICH	Bridge No.	46
Highway No.	T.H. 3	Log Sta.	
		Surv. Sta.	
TOWN HIGHWAY NO. 3 OVER OMPOMPANOSUC RIVER			
<b>TYPICAL BRIDGE SECTION</b>			
Designed By	S. BURBANK	Drawn By	A. THIBAUT
Checked By	Date	Bridge Design Supervisor	
M. CHENETTE	12/03	M. CHENETTE	Date 12/03
PROJECT	NORWICH	PROJECT NO.	TH2-9625
DH CAD Filename: ... \Norw-brsect.dgn		Plot Date: 03/31/2004	
Bridge Sheet No.		Sheet	18 of 40