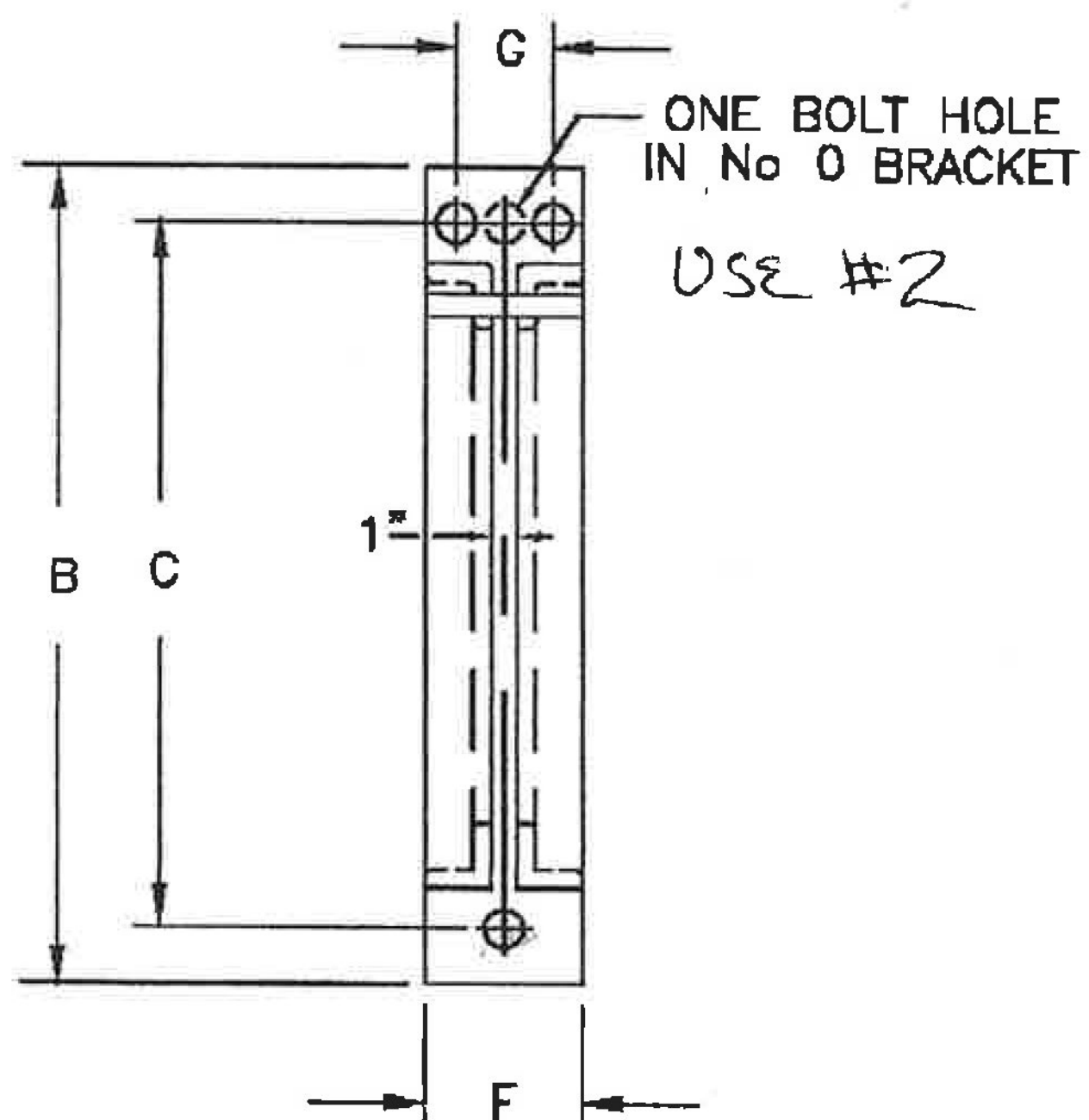
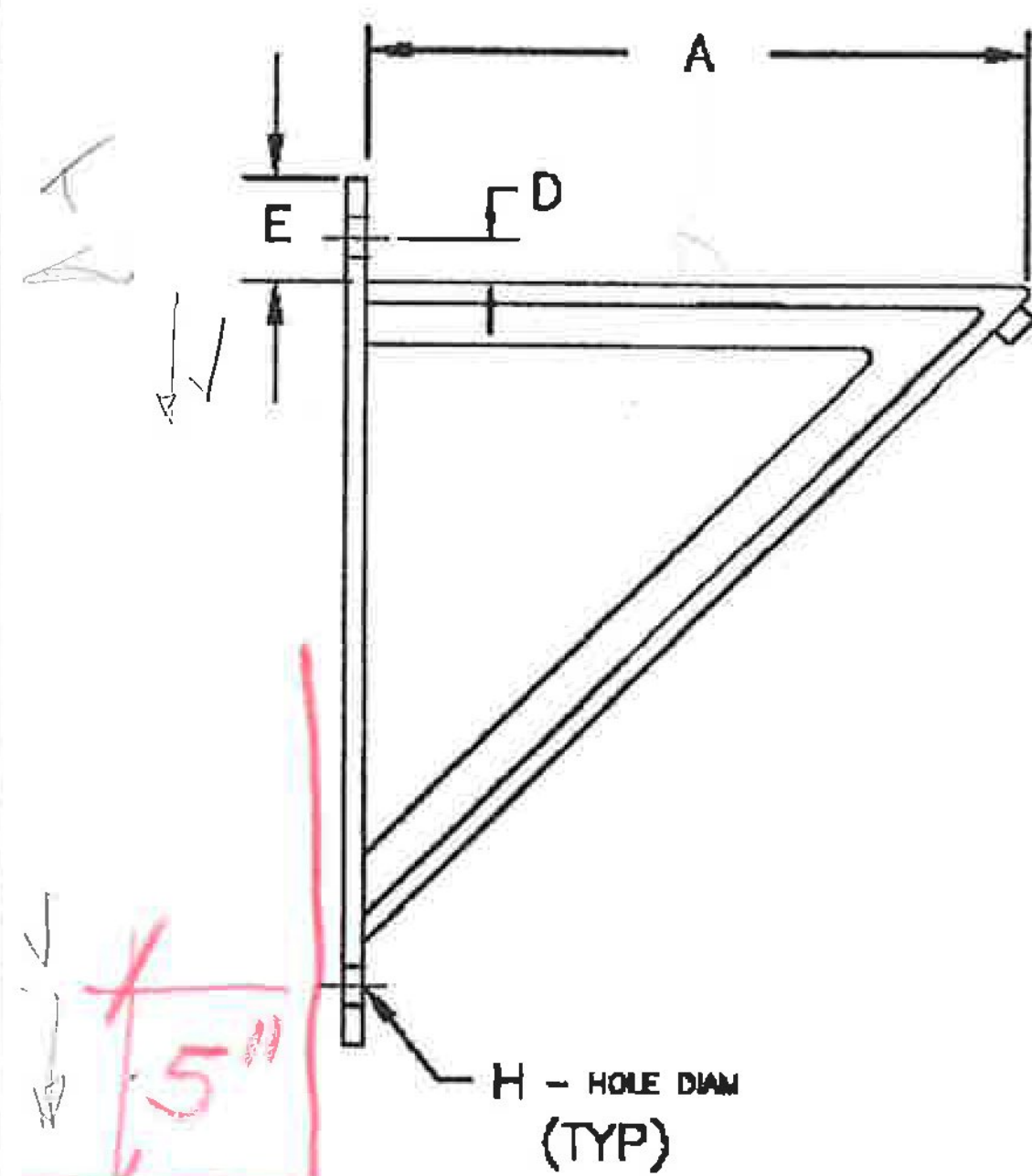


SPACING for 6 Brackets

2.5', 11.9', 21.3', 30.7', 40.1', 49.5'  
 9.25' 9.5' 9.33' 9.5' 9.42'

DESC: HD WALL BRACKET  
 PROJ: RUTLAND BRF3000(18)  
 CUST: BELDEN COMPANY

REVISED 6/6/14



BRACKET NO	A	B	C	D	E	F	G	H	MAX LOAD	UNIT WGT
0	12	18	15 1/2	1 3/8	2 3/4	4	-	13/16	3000	24.00
1	18	24	21 1/2	1 7/16	2 3/4	5	2 3/4	13/16	3000	52.00
2	24	30	27 1/2	1 1/2	2 3/4	5	2 1/2	1 1/16	3000	66.00
3	30	36	33 1/4	1 5/8	3	5	2 1/2	1 1/16	3000	82.00
4	36	42	39	1 1/2	3	6	3 1/2	1 1/16	3000	141.00
5	42	50	46	1 1/2	3 1/2	6	3 1/2	1 1/16	3000	166.00

LOAD (LBS) • DIMENSIONS (INCHES) • WEIGHT (LBS)

MSS-SP-69 TYPE 33

**CARPENTER AND PATERSON INC**  
 WOBURN, MA 01801 / SADDLE BROOK, NJ 07663

**SUBMITTAL DRAWING**

MATERIAL: CARBON STEEL  
 FINISH: HOT-DIP GALVANIZED

DESCRIPTION: HEAVY WELDED STEEL BRACKET

DRAWN: BM  
 CHKD: RP  
 APPVD: UB  
 DATE: 3/94  
 SCALE: N/A  
 SHEET: 1

DWG/FIGURE NO. 139G  
 REV 2

REV	DATE	APP	DESCRIPTION
6			
5			
4			
3	03/01/07	UB	ADDED MSS-SP-69 TYPE NUMBER
2	02/20/01	UB	REVERSED HOLE SIZE 1 FROM 15/16" TO 13/16"
1			