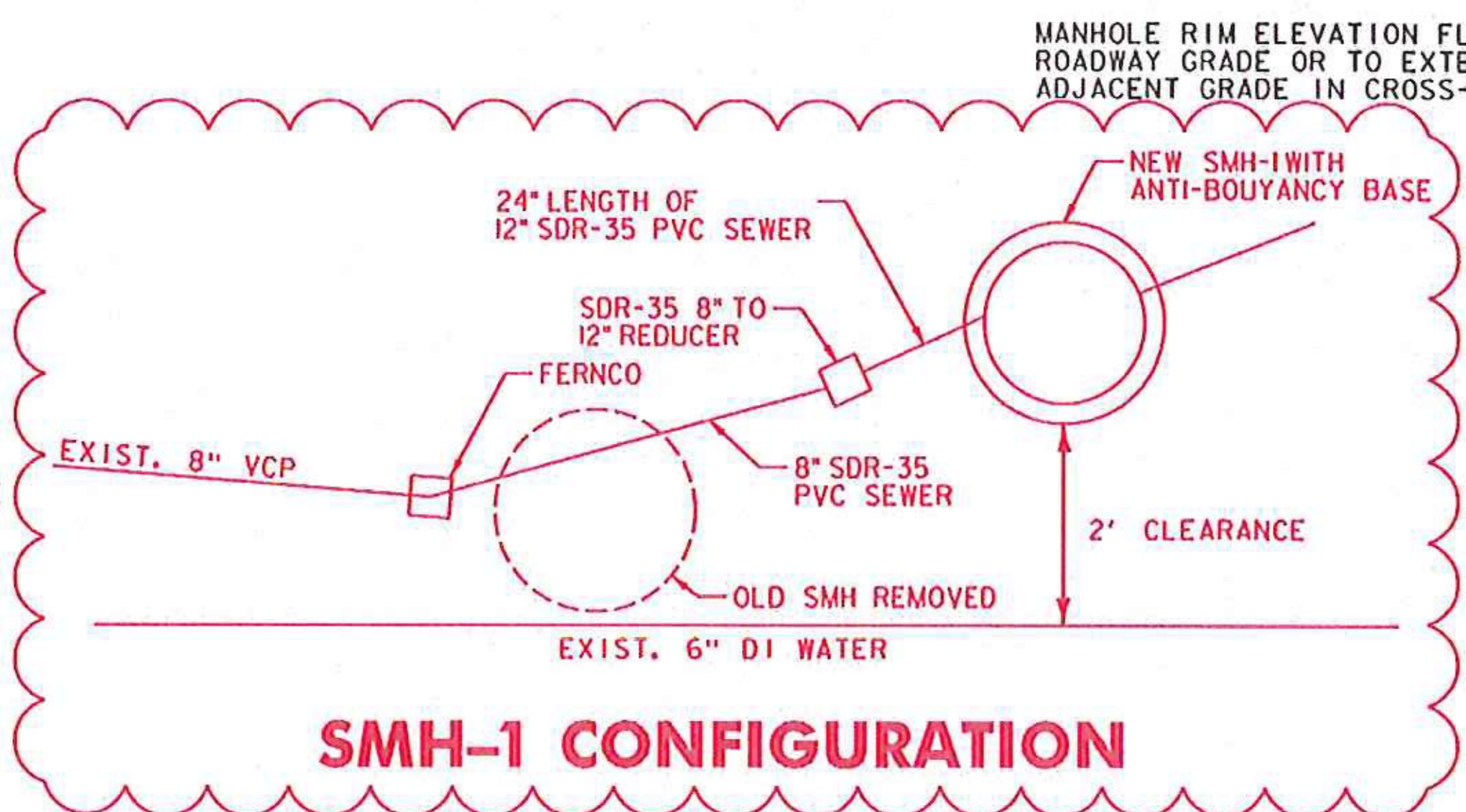
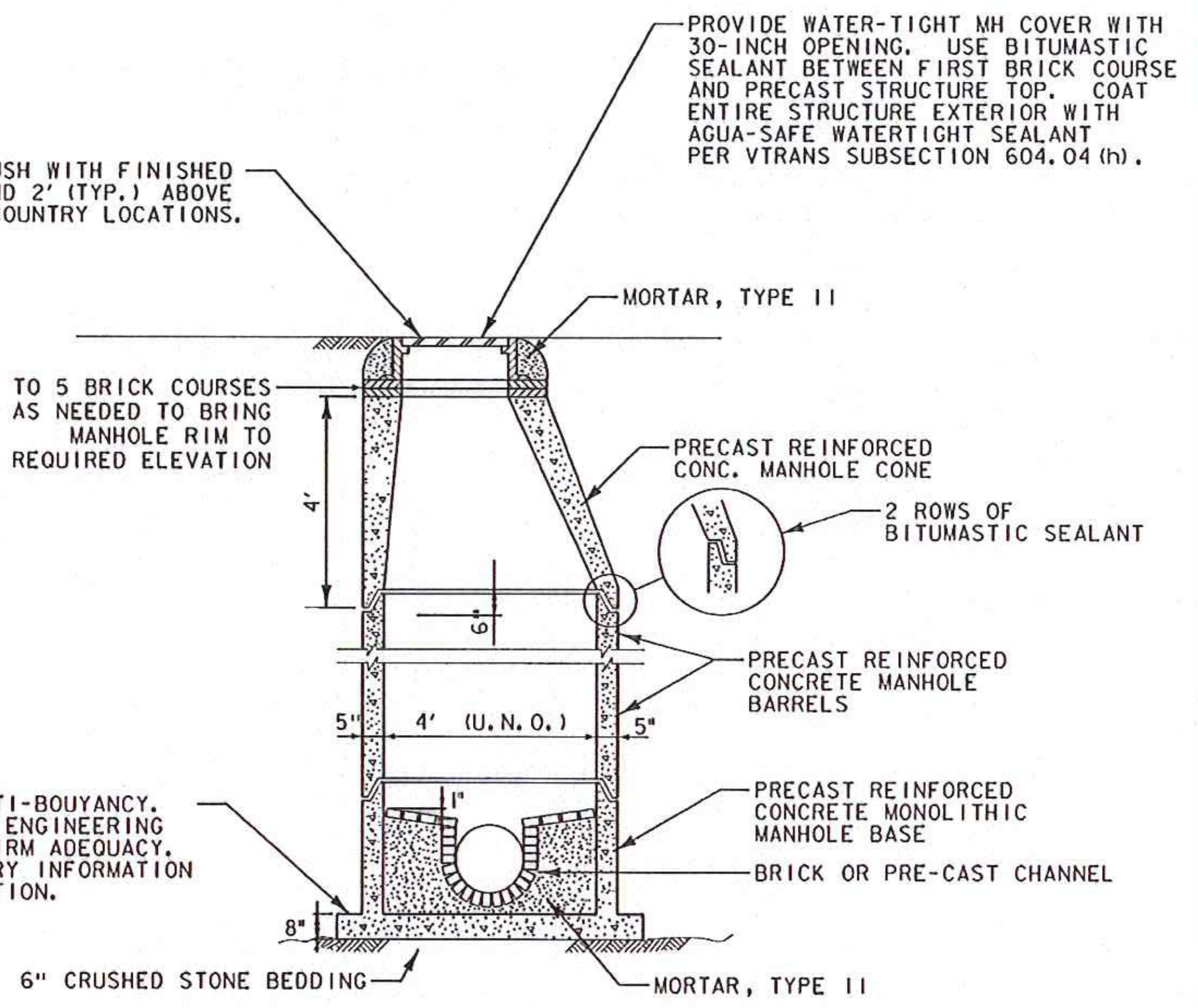


MANHOLE FRAME AND COVER DETAIL

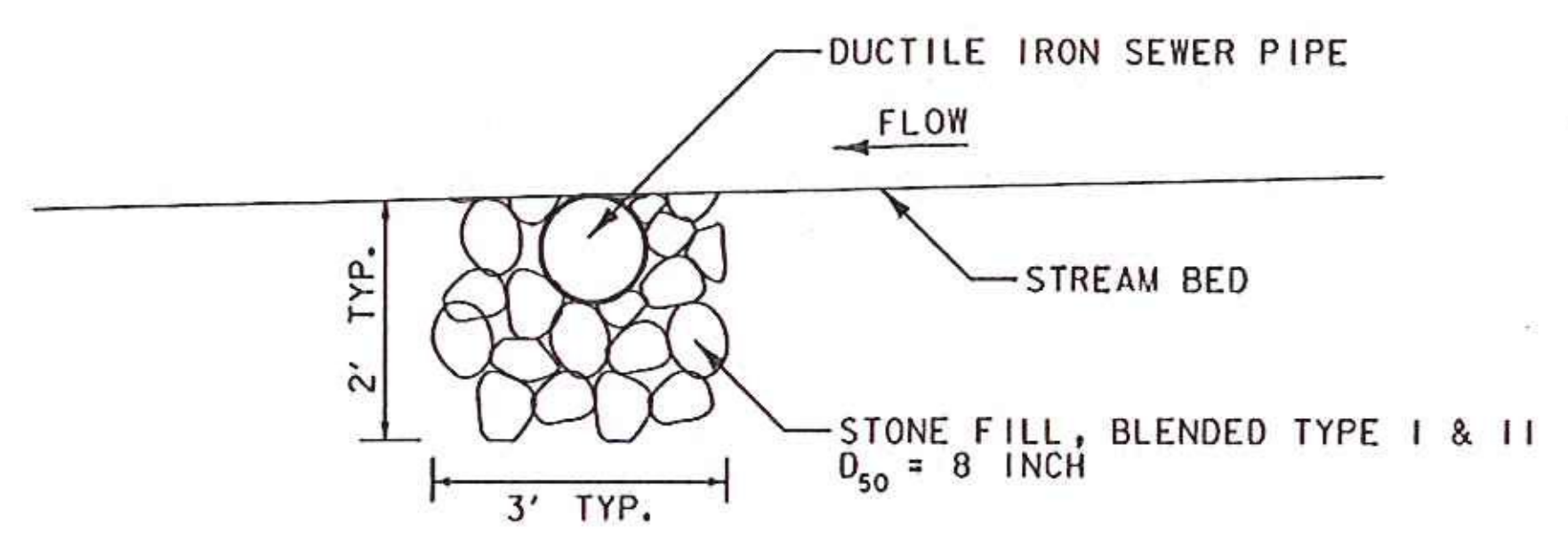


EXTENDED BASE FOR ANTI-BOUYANCY. PROVIDE P.E. STAMPED ENGINEERING CALCULATIONS TO CONFIRM ADEQUACY. SEE BRIDGE PRELIMINARY INFORMATION SHEET FOR 0100 ELEVATION.



NOTES:
1. ALL MATERIALS AND WORK DEPICTED THIS DETAIL SHALL BE PAID UNDER ITEM 900.620 SPECIAL PROVISION (SANITARY MANHOLE, ALL-INCLUSIVE) (4' DIA.) OR ITEM 604.56 CAST IRON COVER WITH FRAME, SEWER.

PRECAST REINFORCED CONCRETE SANITARY SEWER MANHOLE



NOTES:
1. COST OF STONE FILL, INCLUDING EXCAVATION, SHALL BE INCIDENTAL TO ITEM 900.640 SPECIAL PROVISION (SEWER, DUCTILE IRON PIPE, CEMENT-LINED, ALL-INCLUSIVE) (12" SEWER)

STREAM BEDDING DETAIL

- 2 RECORD CHANGES [CLOUD]
- PLAN REVISIONS
- 1 1/16/14: MODIFIED SEWER MANHOLE DETAIL AND ADDED STREAM BEDDING DETAIL (PER DEC).

NOT TO SCALE

WATER AND SEWER PLANS 	PROJECT NAME: RUTLAND CITY PROJECT NUMBER: BRF 3000(18)
	FILE NAME: \$FILEABBREV\$ PROJECT LEADER: C. BEAN DESIGNED BY: D. LEWIS WATER/SEWER DETAILS 2

540 Commercial Street, Manchester, NH 03101
 (603) 668-8223 • Fax: (603) 668-8802
 clde@cldeengineers.com • www.cldeengineers.com
 Maine • New Hampshire • Vermont