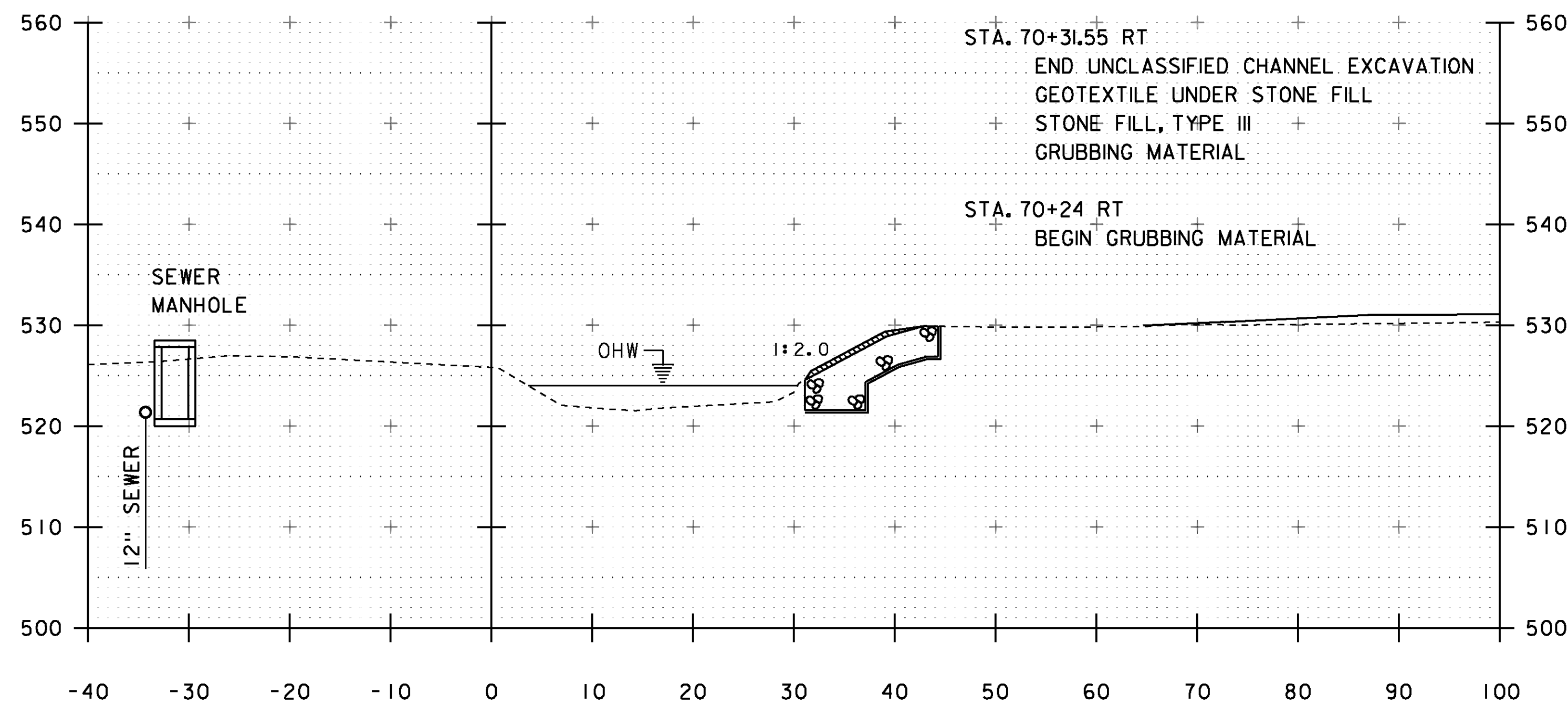
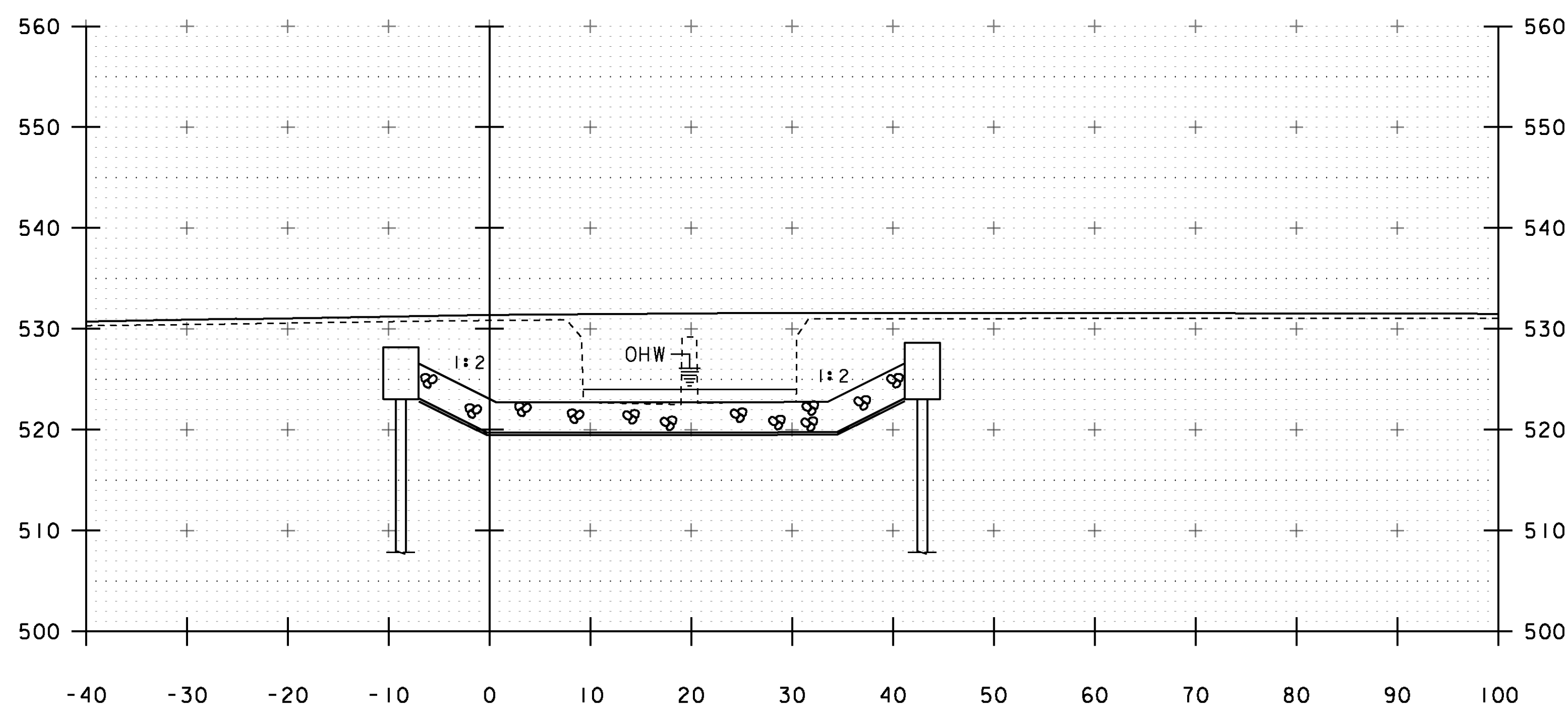


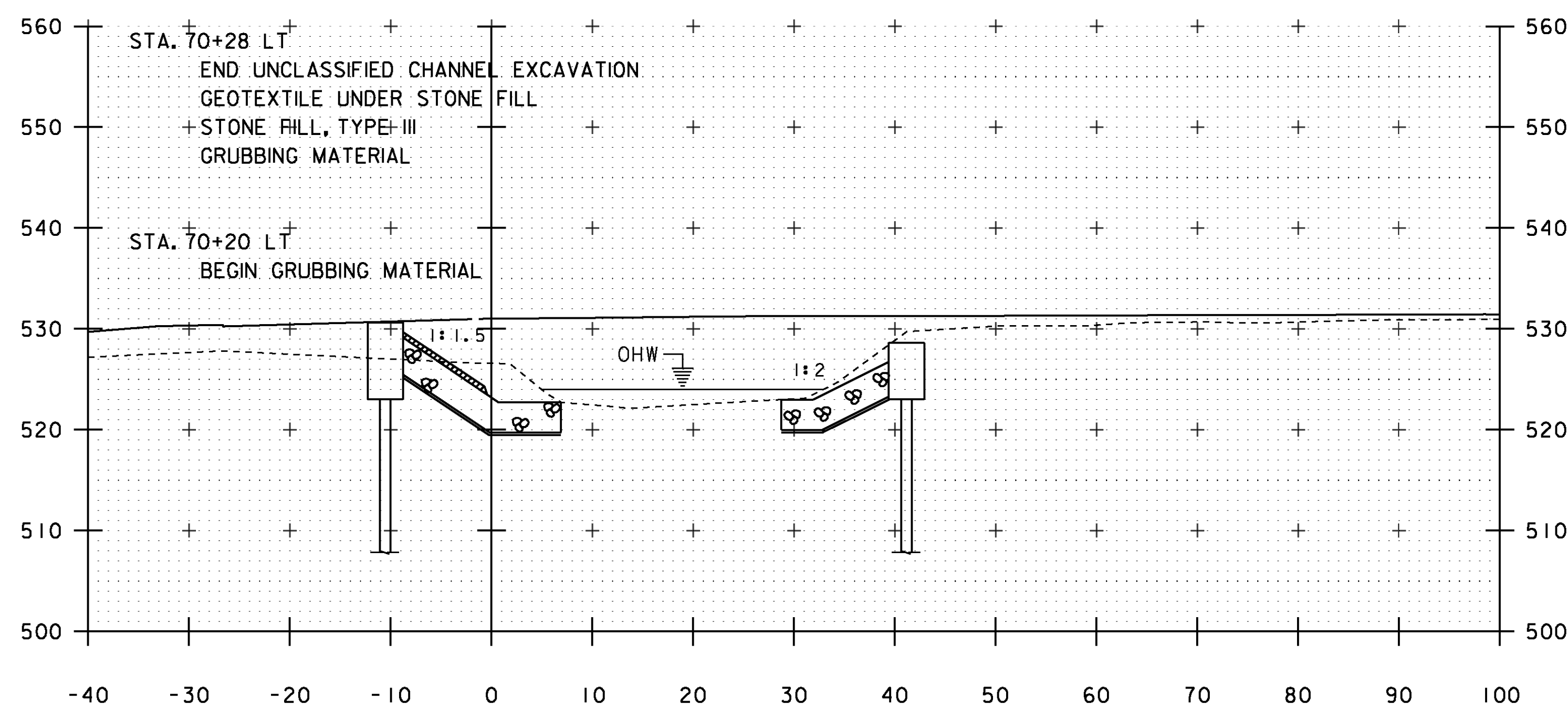
70+10



70+30



70+00



70+20

PROJECT NAME:	RUTLAND CITY	FILE NAME:	s96j244xs.dgn	PLOT DATE:	28-FEB-2014
PROJECT NUMBER:	BRF 3000(18)	PROJECT LEADER:	C. CARLSON	DRAWN BY:	R. PELLETT
		DESIGNED BY:	M. EVANS-MONGEON	CHECKED BY:	M. E-M
		CHANNEL CROSS SECTIONS 2		SHEET	33 OF 44

STA. 70+00 TO STA. 70+30