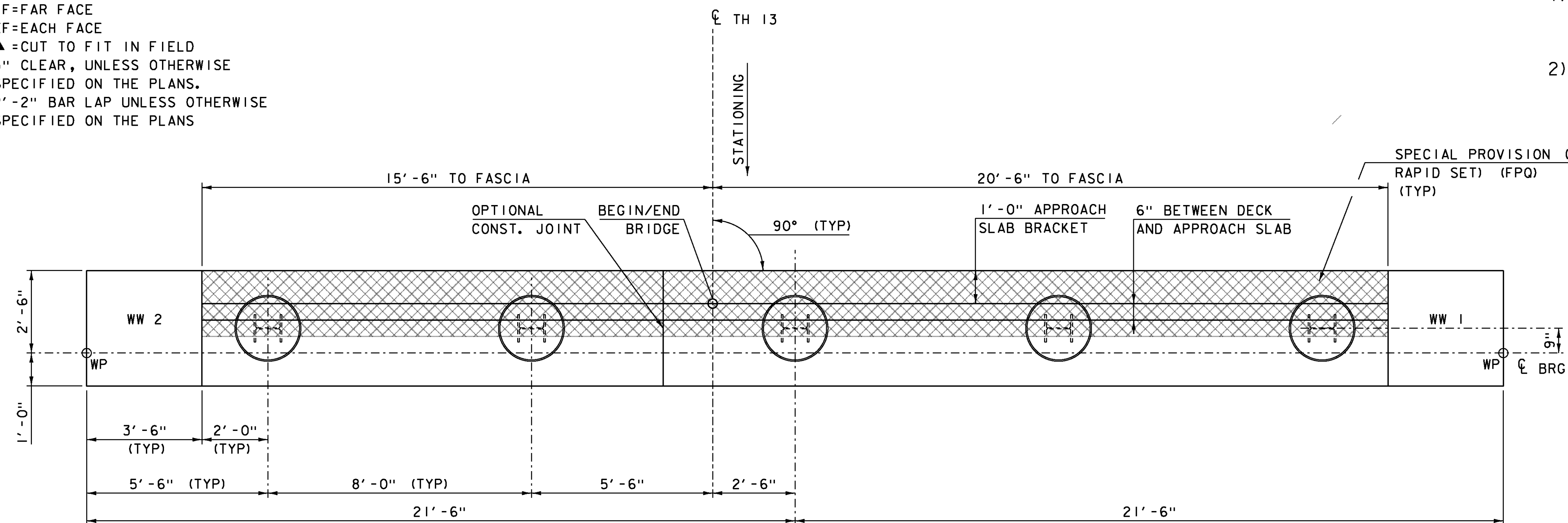
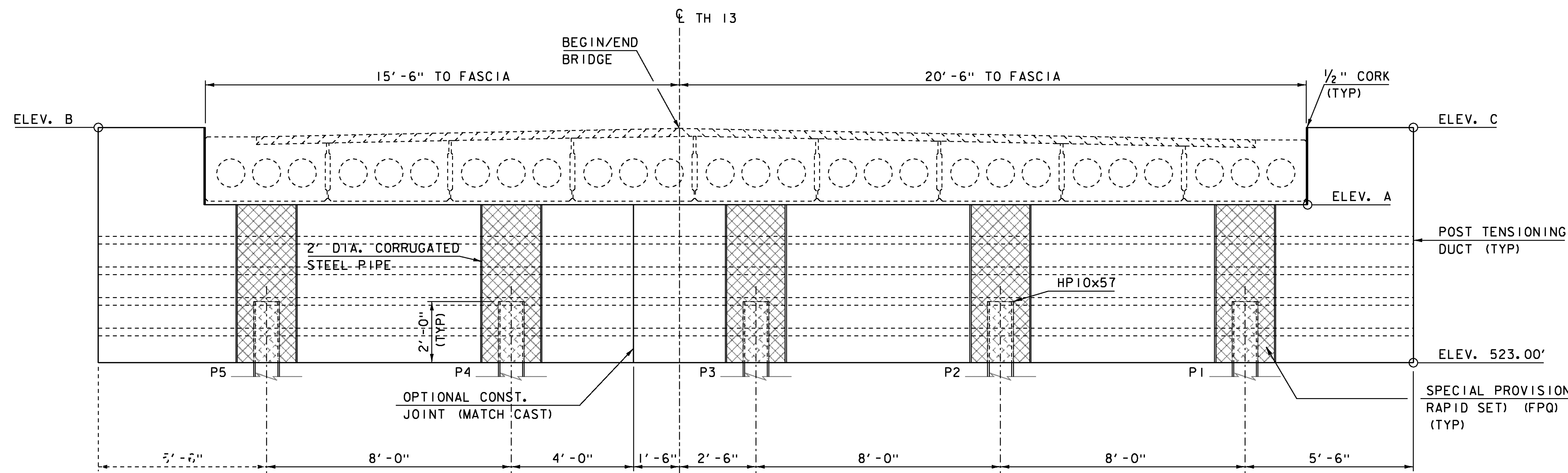


NOTE:
 NF=NEAR FACE
 FF=FAR FACE
 EF=EACH FACE
 ▲=CUT TO FIT IN FIELD
 3" CLEAR, UNLESS OTHERWISE
 SPECIFIED ON THE PLANS.
 2'-2" BAR LAP UNLESS OTHERWISE
 SPECIFIED ON THE PLANS

NOTES:
 1) POST-TENSIONING AND ASSOCIATED
 ITEMS ONLY REQUIRED IF PILE CAP IS
 CONSTRUCTED IN MORE THAN ONE PIECE.
 2) PCU 2 MIRRORS PCU 1 ABOUT LINE
 PARALLEL TO CENTERLINE OF BEARING.



ABUTMENT #1 (PCU1)
 SCALE: 1/2" = 1' - 0"



ABUTMENT #1 ELEVATION (PCU1)
 SCALE: 1/2" = 1' - 0"

	ABUTMENT 1	ABUTMENT 2
ELEV. A	528.16'	528.60'
ELEV. B	530.65'	531.09'
ELEV. C	530.55'	531.00'

PROJECT NAME: RUTLAND CITY
 PROJECT NUMBER: BRF 3000 (18)
 FILE NAME: s96j244sub.dgn
 PROJECT LEADER: C. CARLSON
 DESIGNED BY: M. EVANS-MONGEON
 ABUTMENT 1 & 2 PLAN & ELEVATION
 PLOT DATE: 28-FEB-2014
 DRAWN BY: M.UMBERGER
 CHECKED BY: M. LONGSTREET
 SHEET 22 OF 44