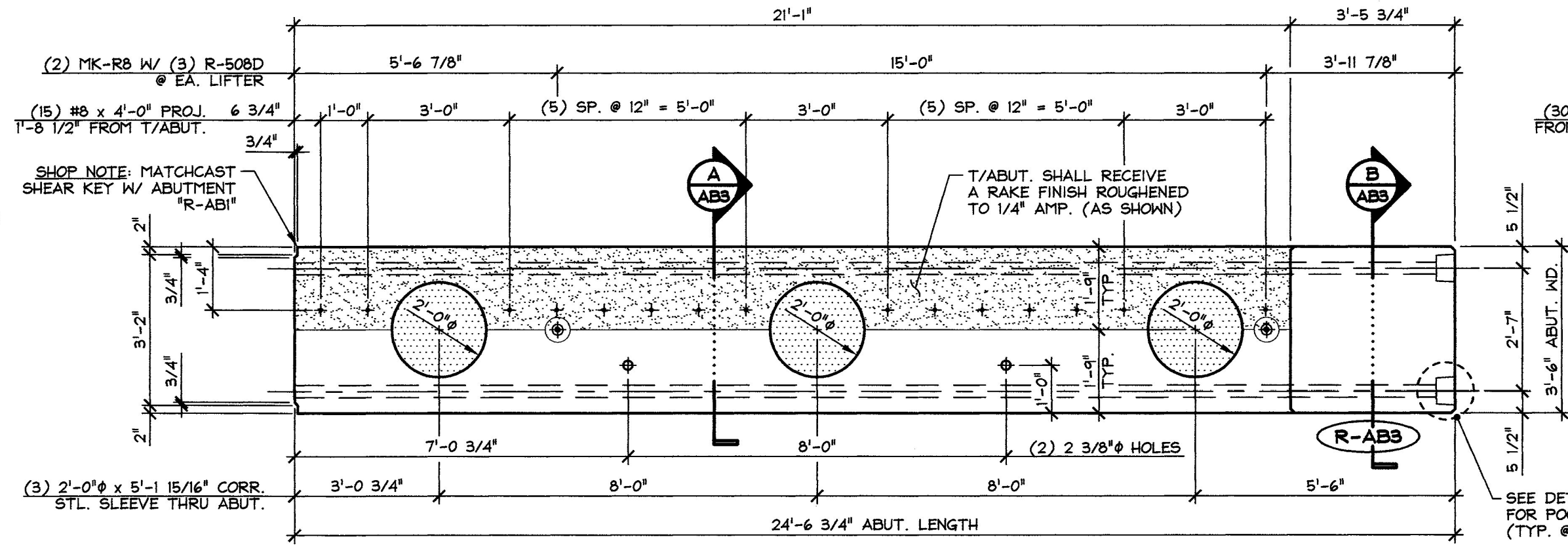
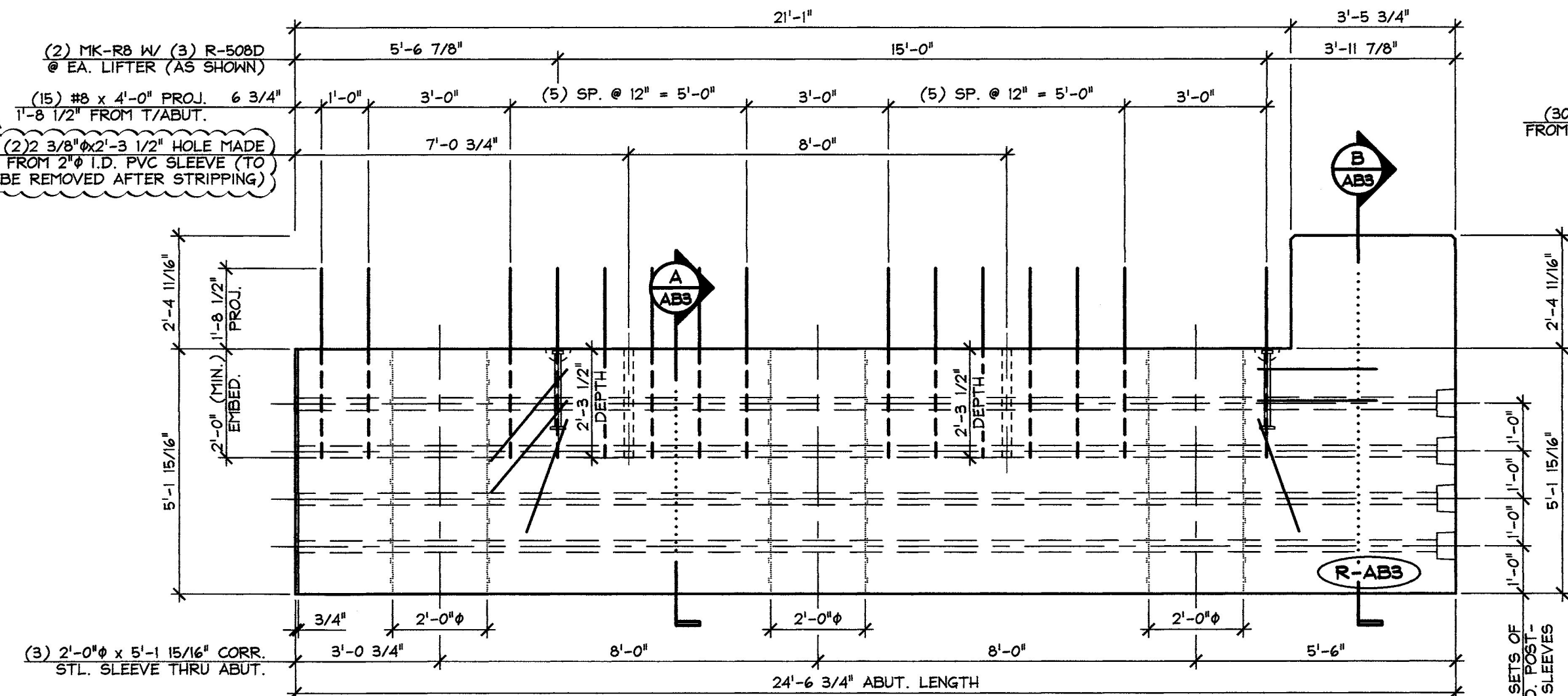


**A** ABUTMENT SECTION  
3/4" = 1'-0"

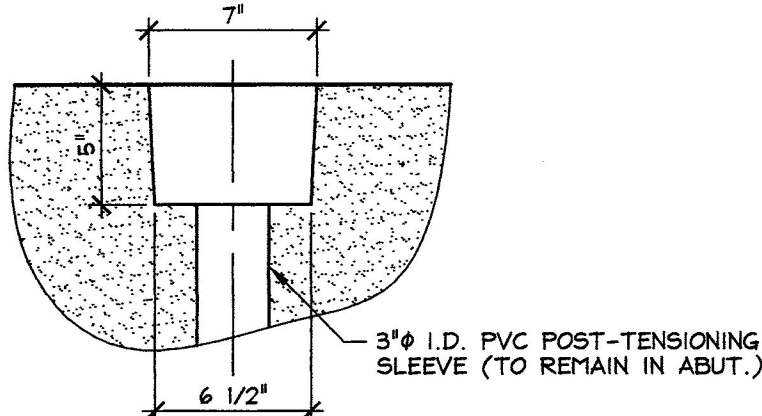


PLAN VIEW IN FORM

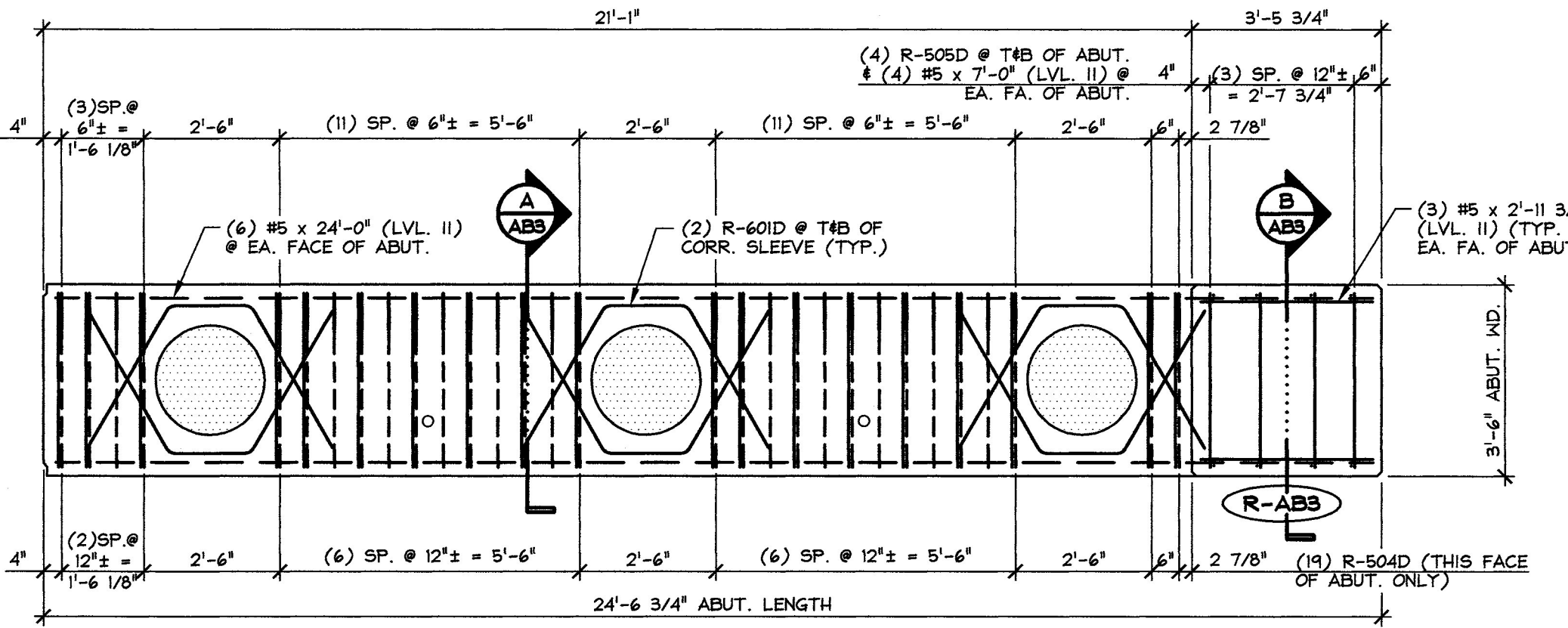


MARK FACE ELEVATION

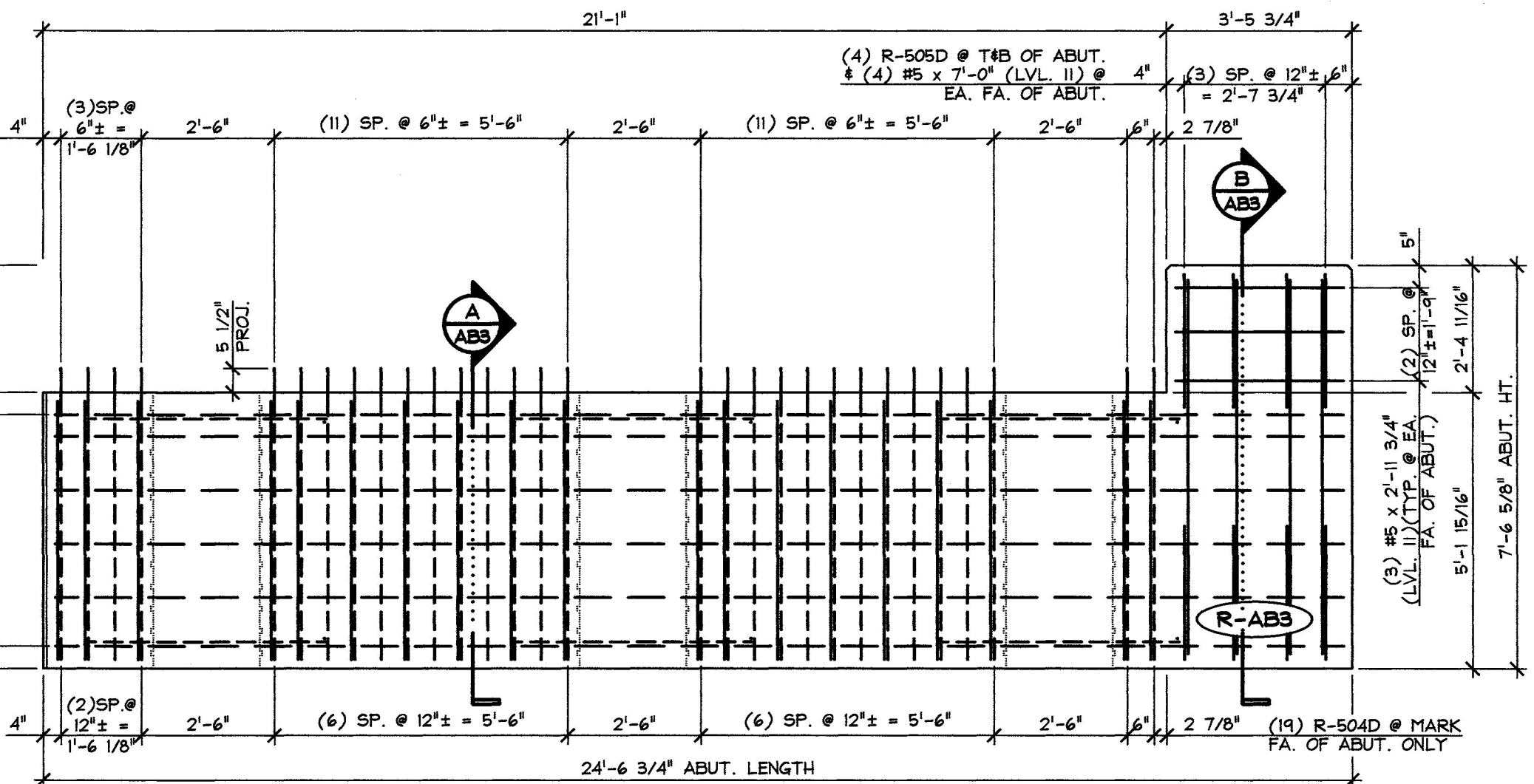
**1** ABUTMENT DIMENSIONAL DETAILS  
3/8" = 1'-0"



DETAIL - "A"  
1 1/2" = 1'-0"

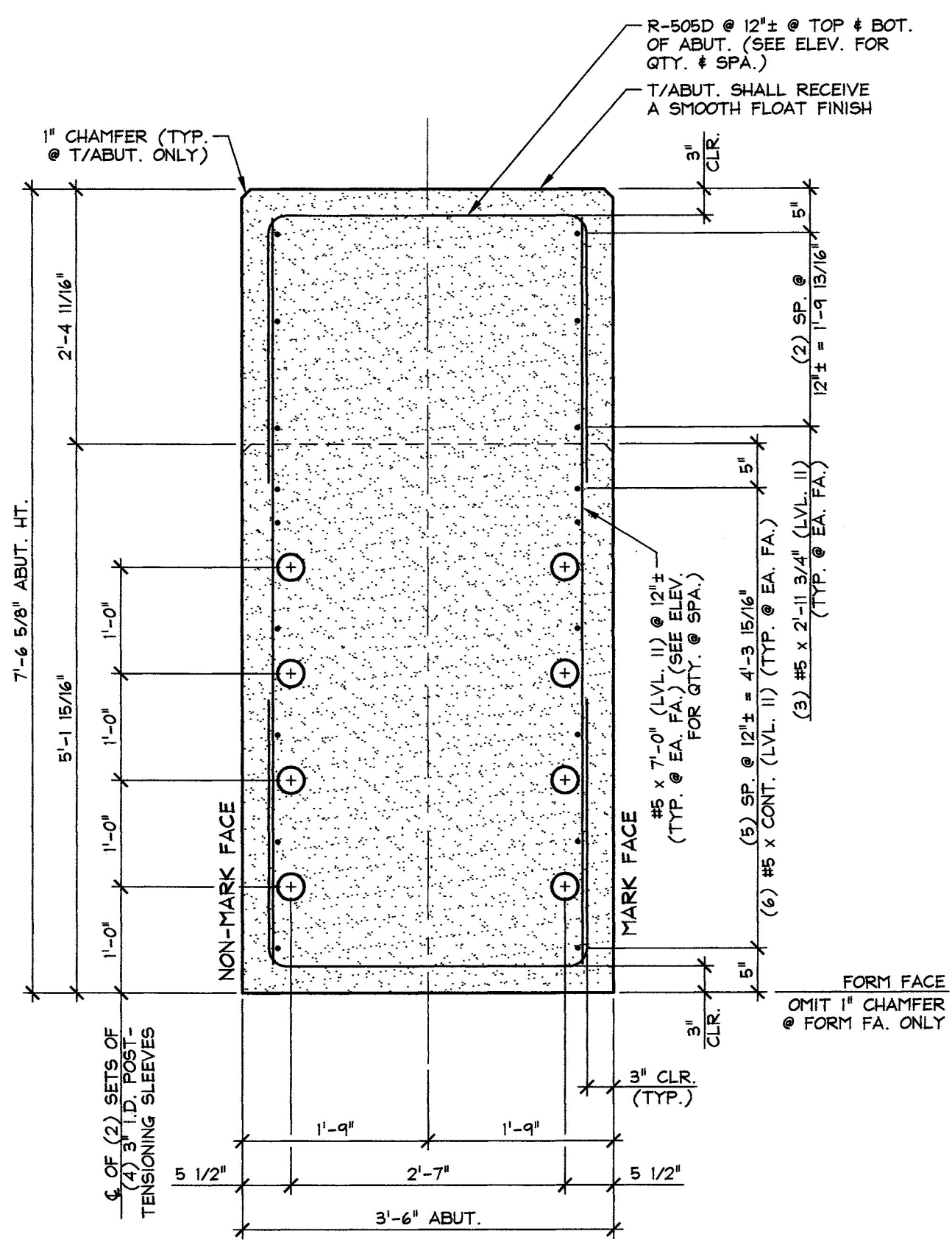


PLAN VIEW IN FORM



MARK FACE ELEVATION

**2** ABUTMENT REINFORCING DETAILS  
3/8" = 1'-0"



**B** ABUTMENT SECTION  
3/4" = 1'-0"

SHOP NOTE:  
ALL EDGES OF ABUTMENT SHALL RECEIVE A 1" CHAMFER (U.N.O.)

MARK: R-AB3	QTY.: 1	WT.: 27.44 T	VOL.: 13.55 cy
MATERIAL LIST / ABUTMENT			
ITEM	MARK	DESCRIPTION	QTY.
1	R-503D	#5 BENT BAR (LEVEL II, DUAL COATED)	30
2	R-504D	#5 BENT BAR (LEVEL II, DUAL COATED)	19
3	R-506D	#5 BENT BAR (LEVEL II, DUAL COATED)	8
4	R-508D	#5 HAIRPIN (LEVEL II, DUAL COATED)	6
5		#5 x 7'-0" (LEVEL II, DUAL COATED)	8
6		#5 x 24'-0" (LEVEL II, DUAL COATED)	12
7		#5 x 2'-11 3/4" (LEVEL II, DUAL COATED)	6
8			
9	R-601D	#6 BENT BAR (LEVEL II, DUAL COATED)	12
10			
11		#8 x 4'-0" (LEVEL II, DUAL COATED)	15
12			
13		2'-0" x 5'-1 15/16" CORRUGATED STEEL PIPE (GALV.)	3
14	MK-RB	20T x 19 3/4" SWIFT LIFT LIFTER (GALV.)	2
15			

Vermont Agency of Transportation  
**RECEIVED**

CK'D BY M. Umberger OK'D BY C. Carlson

July 1, 2014

RESUBMIT No Approved  
BY C. Carlson DATE 07/08/2014

7-1-14 REVISED AS NOTED

APPROVAL STAMP:	J.P. CARRARA & SONS INC. Precast & Prestress Manufacturer 2464 CASE STR., MIDDLEBURY, VERMONT 05753 Phone:(802)388-6361 Fax:(802)388-9010	THE BELDEN COMPANY, INC. CONTRACTOR RUTLAND, VERMONT
STATE OF VERMONT AGENCY OF TRANSPORTATION COUNTY OF RUTLAND		DATE: APR. 25, 2014 SCALE: NOTED
CITY OF RUTLAND ROUTE NO.: TH 13 (FOREST STREET) - URBAN COLLECTOR BRIDGE NO.: 14 PROJECT NO.: BRP 3000(18)		CHKD: M.D. DFTM: B.L. JOB NO: 23430-014
PRECAST ABUTMENT DETAILS		DWG. NO: AB3