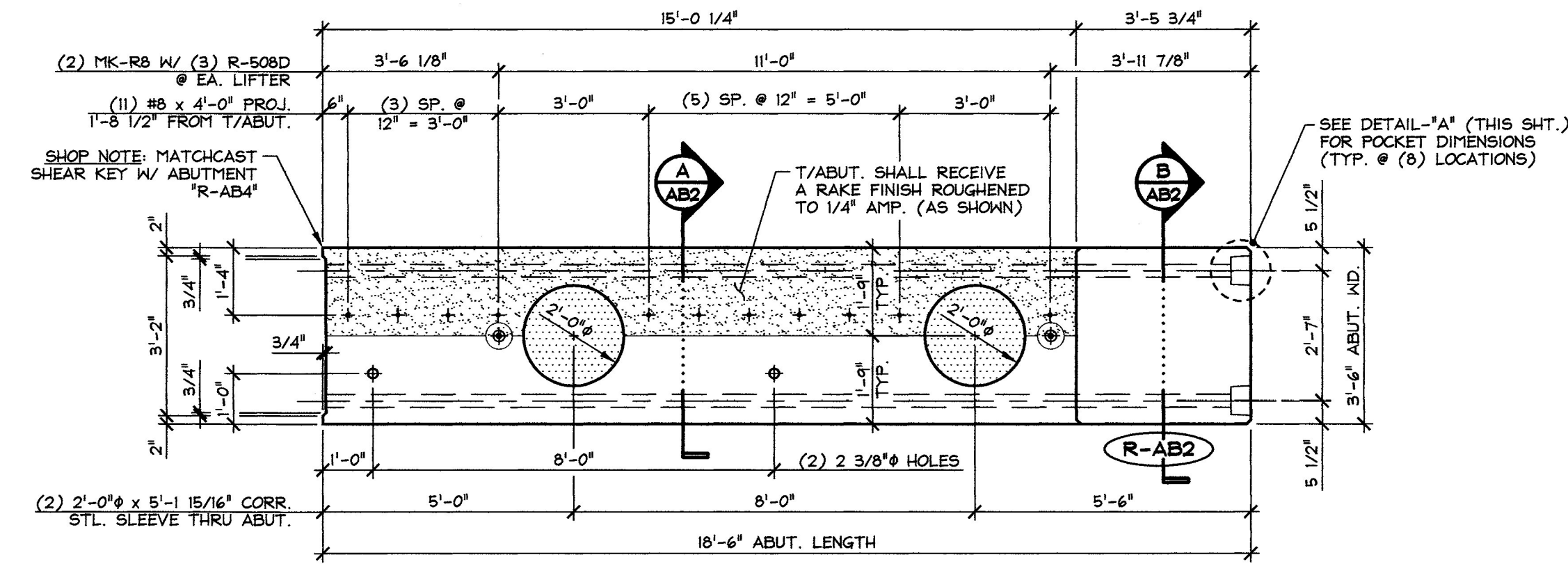
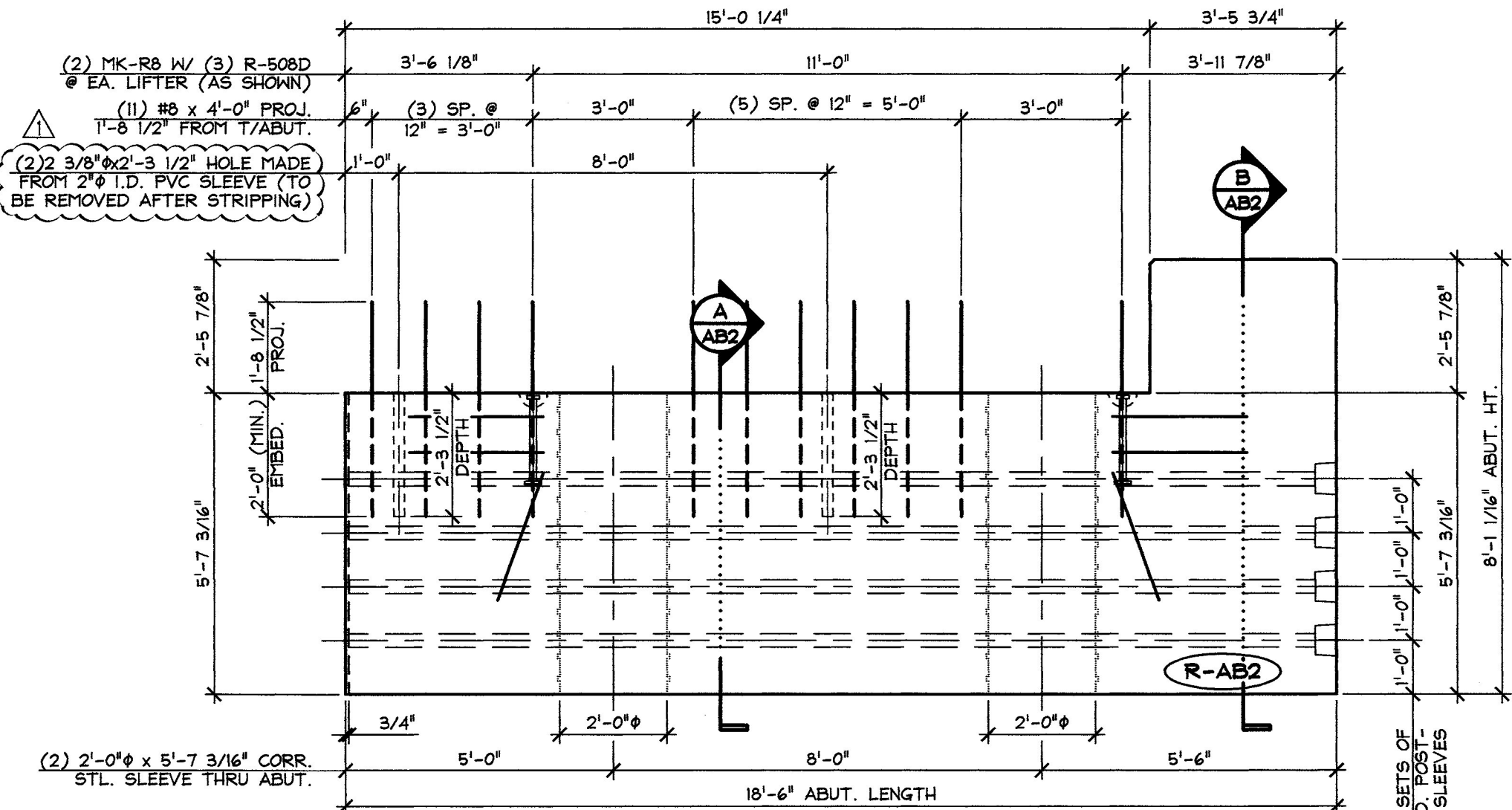


**A** ABUTMENT SECTION  
3/4" = 1'-0"

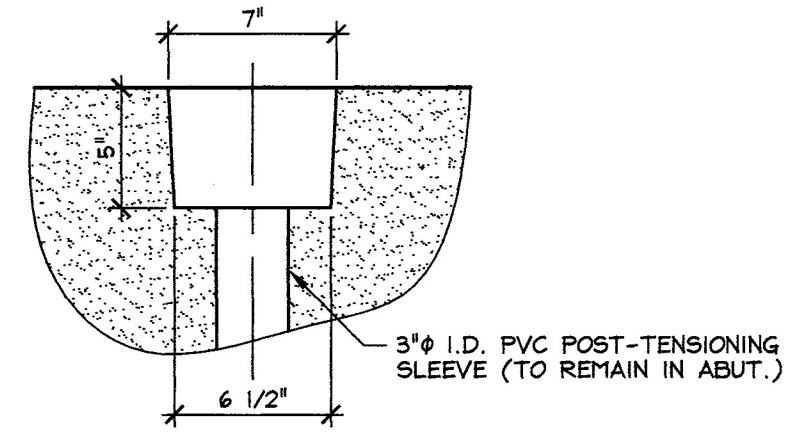


PLAN VIEW IN FORM

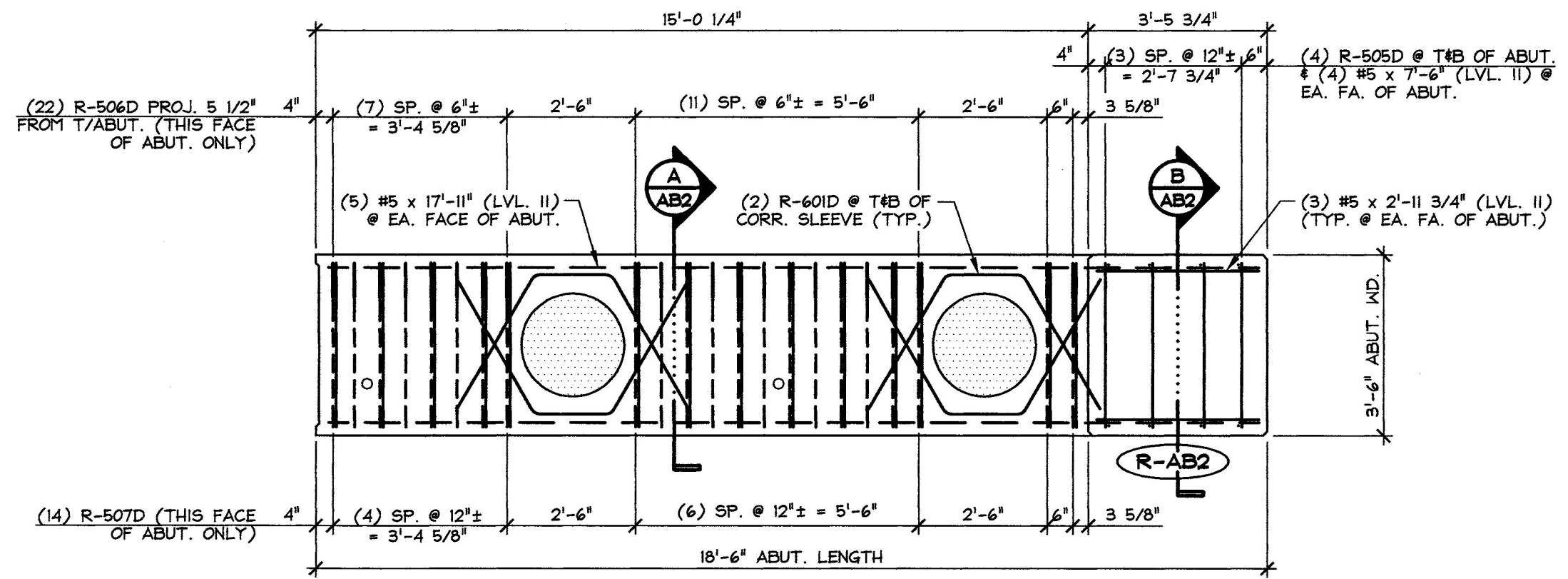


MARK FACE ELEVATION

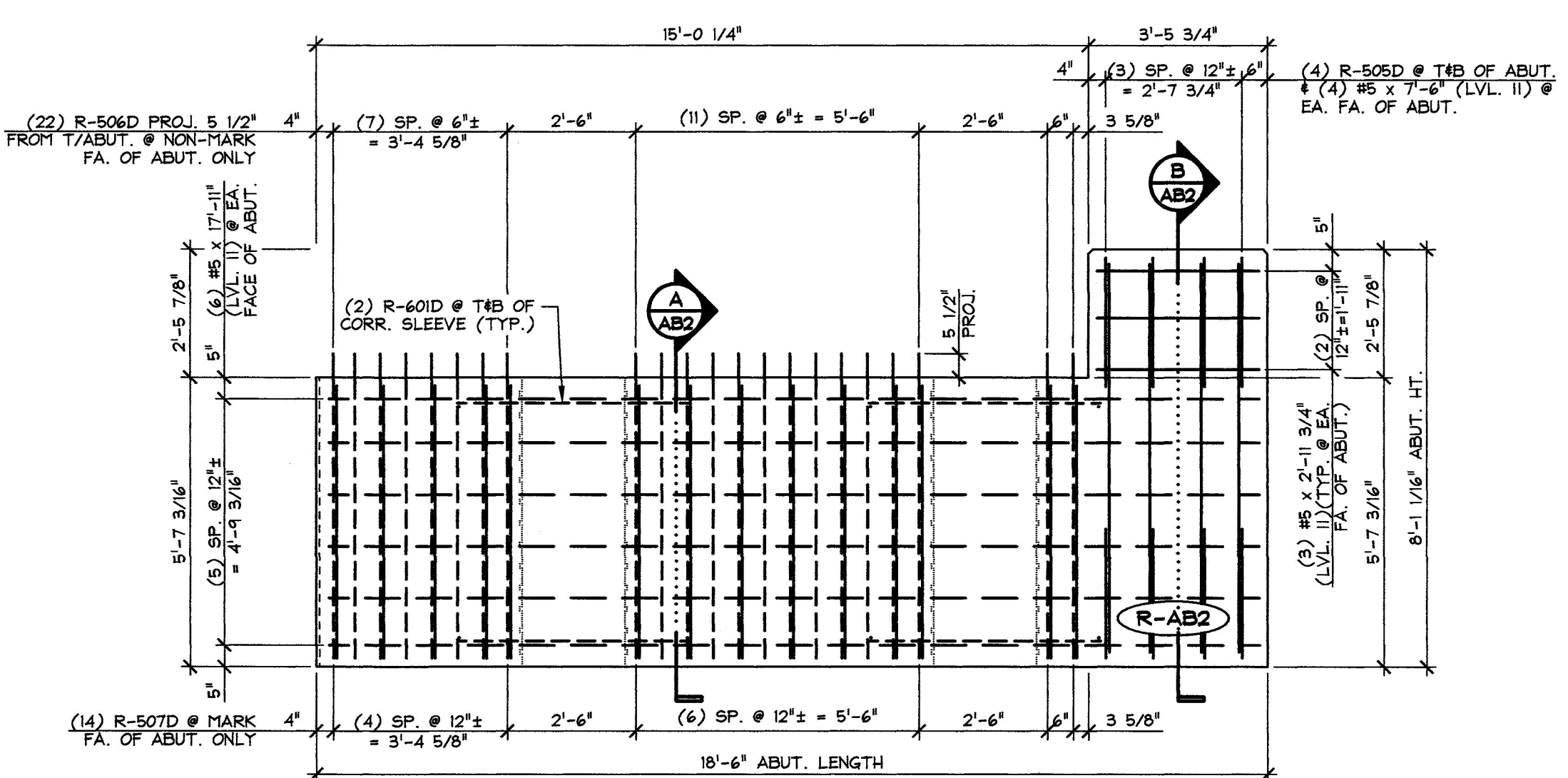
**1** ABUTMENT DIMENSIONAL DETAILS  
3/8" = 1'-0"



DETAIL - "A"  
1 1/2" = 1'-0"

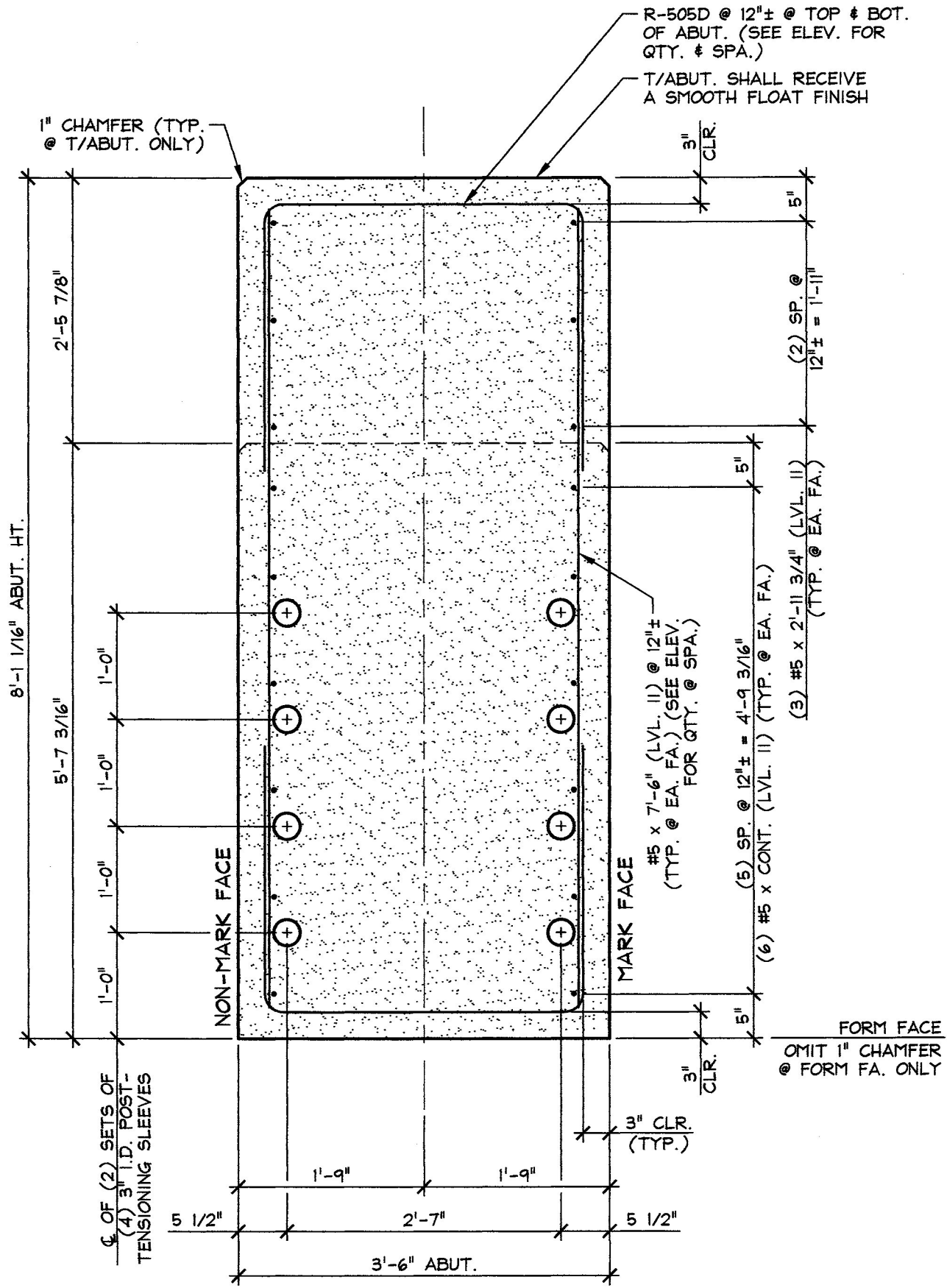


PLAN VIEW IN FORM



MARK FACE ELEVATION

**2** ABUTMENT REINFORCING DETAILS  
3/8" = 1'-0"



**B** ABUTMENT SECTION  
3/4" = 1'-0"

SHOP NOTE:  
ALL EDGES OF ABUTMENT SHALL  
RECEIVE A 1" CHAMFER (U.N.O.)

MARK: R-AB2	QTY.: 1	WT.: 26.74 T	VOL.: 13.20 cy
MATERIAL LIST / ABUTMENT			
ITEM	MARK	DESCRIPTION	QTY.
1	R-505D	#5 BENT BAR (LEVEL II, DUAL COATED)	8
2	R-506D	#5 BENT BAR (LEVEL II, DUAL COATED)	22
3	R-507D	#5 BENT BAR (LEVEL II, DUAL COATED)	14
4	R-508D	#5 HAIRPIN (LEVEL II, DUAL COATED)	6
5		#5 x 7'-6" (LEVEL II, DUAL COATED)	8
6		#5 x 17'-11" (LEVEL II, DUAL COATED)	12
7		#5 x 2'-11 3/4" (LEVEL II, DUAL COATED)	6
8			
9	R-60ID	#6 BENT BAR (LEVEL II, DUAL COATED)	8
10			
11		#8 x 4'-0" (LEVEL II, DUAL COATED)	11
12			
13		2'-0" x 5'-7 3/16" CORRUGATED STEEL PIPE (GALV.)	2
14	MK-RB	20T x 19 3/4" SWIFT LIFT LIFTER (GALV.)	2
15			

Vermont Agency of Transportation  
**RECEIVED**

CK'D BY M. Umberger OK'D BY C. Carlson

July 1, 2014

RESUBMIT No Approved  
BY C. Carlson DATE 07/08/2014

7-1-14 REVISED AS NOTED

APPROVAL STAMP:	<b>J.P. CARRARA &amp; SONS INC.</b> Precast & Prestress Manufacturer 2464 CASE ST., MIDDLEBURY, VERMONT 05753 Phone: (802)388-6361 Fax: (802)388-9010	<b>THE BELDEN COMPANY, INC.</b> CONTRACTOR RUTLAND, VERMONT
	<b>STATE OF VERMONT AGENCY OF TRANSPORTATION</b> COUNTY OF RUTLAND	DATE: APR. 25, 2014 SCALE: NOTED
	<b>CITY OF RUTLAND</b> ROUTE NO.: TH 13 (FOREST STREET) - URBAN COLLECTOR BRIDGE NO.: 14 PROJECT NO.: BRF 3000(18)	CHKD: M.D. DFTM: B.L. JOB NO: 23430-014
	<b>PRECAST ABUTMENT DETAILS</b>	DWG. NO: <b>AB2</b>