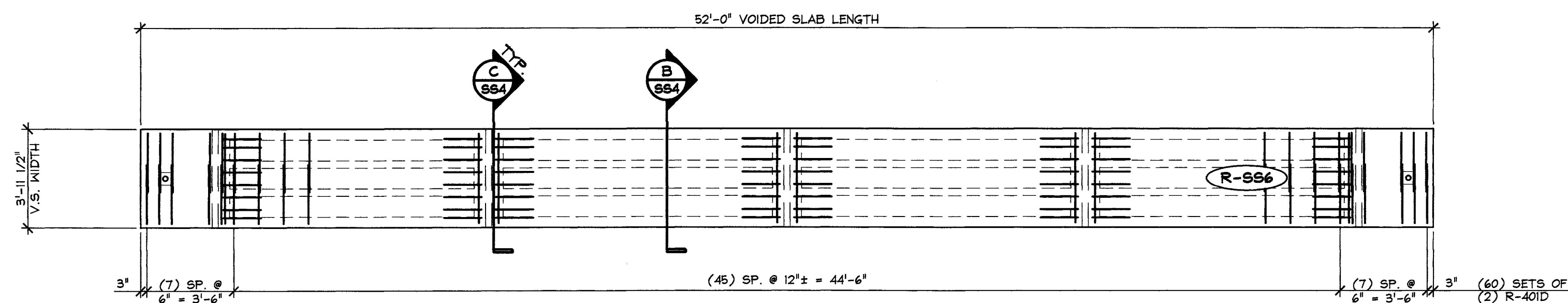
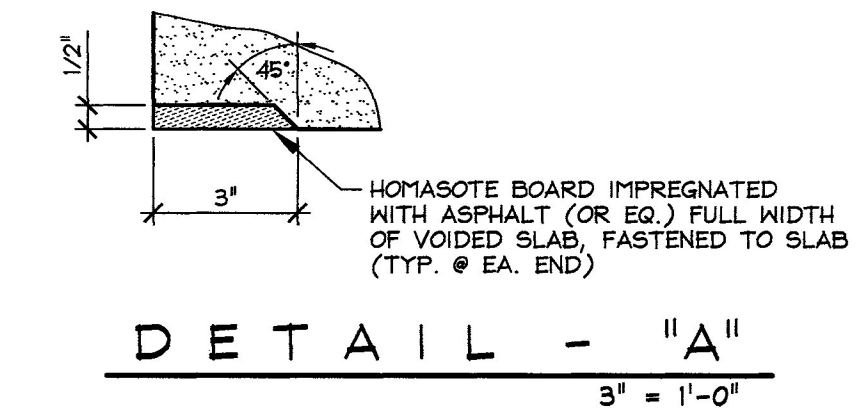
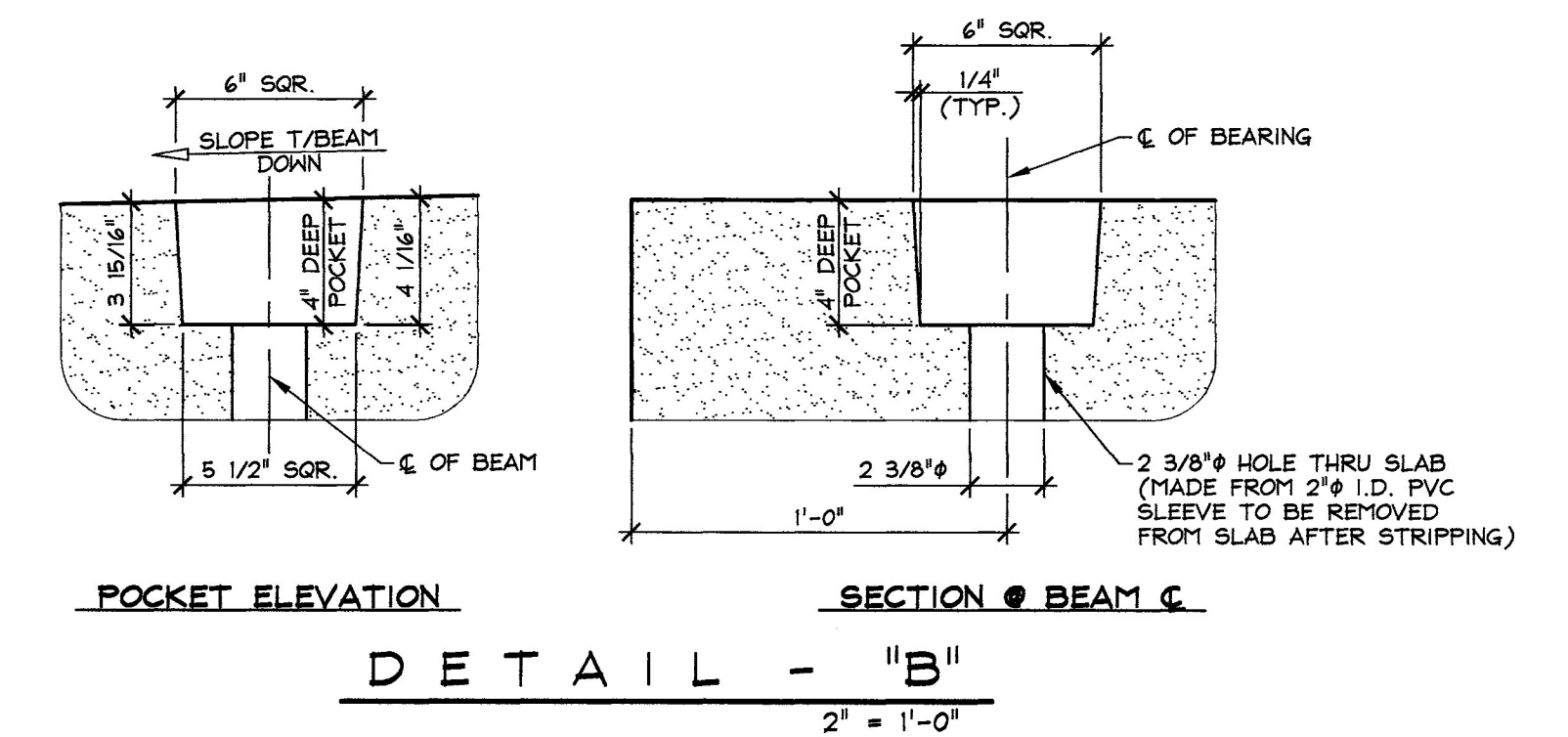


1 DIMENSIONAL PLAN VIEW IN FORM
SS4 1/4" = 1'-0"



2 REINFORCING PLAN VIEW IN FORM
SS4 1/4" = 1'-0"



① ②

⑤ ⑦ ⑨ ⑪ ⑬ ⑮ ⑰ ⑲ ⑳ ㉑ ㉒ ㉓ ㉔ ㉕ ㉖ ㉗ ㉘ ㉙ ㉚ ㉛ ㉜ ㉝ ㉞ ㉟ ㊱ ㊲ ㊳ ㊴ ㊵ ㊶ ㊷ ㊸ ㊹ ㊺ ㊻ ㊼ ㊽ ㊾ ㊿

DETENSIONING SCHEDULE
N.T.S.

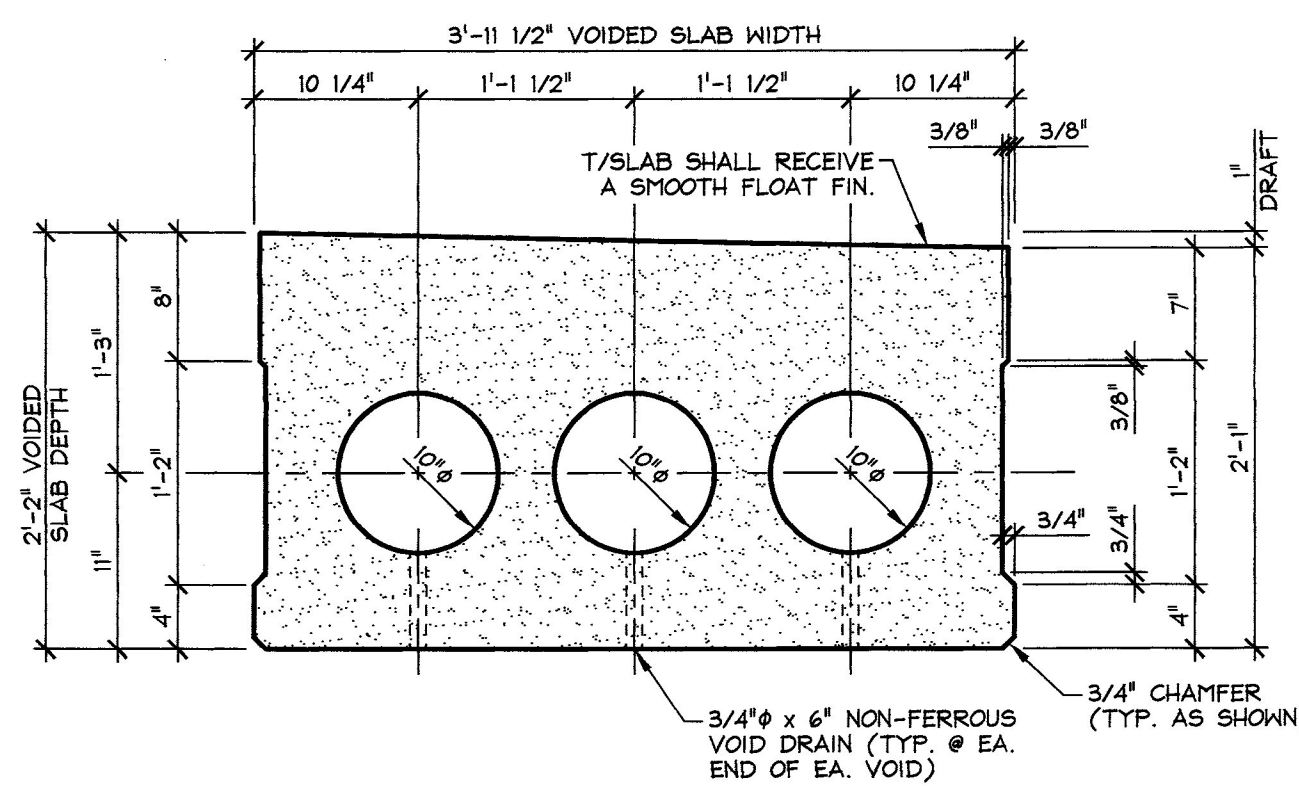
Vermont Agency of Transportation
RECEIVED

CK'D BY M. Umberger OK'D BY C. Carlson

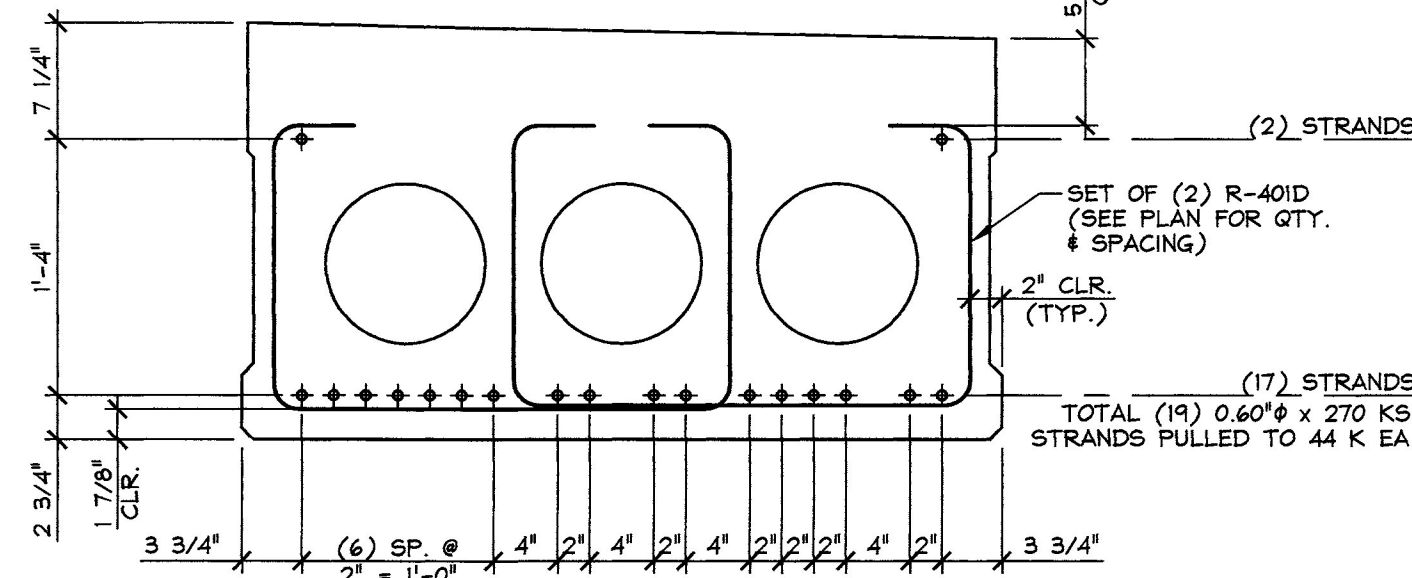
July 1, 2014

RESUBMIT No Approved
BY C. Carlson DATE 07/08/2014

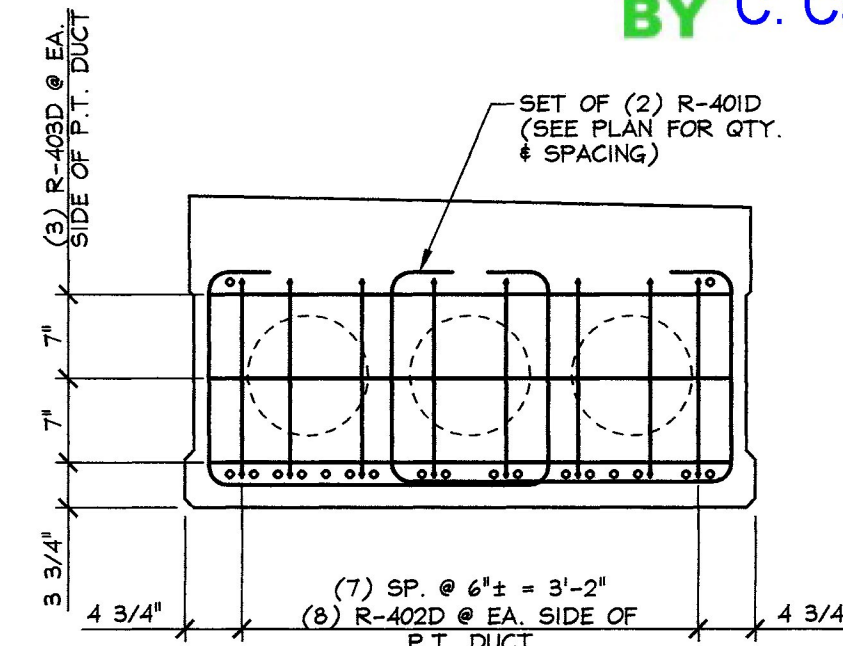
| MARK: | R-SS6 | QTY.: | 2 | WT.: | 27.02 T | VOL.: | 13.34 cy |
|-----------------------------|--------|--|---|------|---------|-------|----------|
| MATERIAL LIST / VOIDED SLAB | | | | | | | |
| ITEM | MARK | DESCRIPTION | | | | QTY. | |
| 1 | R-401D | #4 BENT BAR (LEVEL II, DUAL COATED) | | | | 120 | |
| 2 | R-402D | #4 BENT BAR (LEVEL II, DUAL COATED) | | | | 64 | |
| 3 | R-403D | #4 x 3'-7 1/2" (LEVEL II, DUAL COATED) | | | | 24 | |
| 4 | | | | | | | |
| 5 | | | | | | | |
| 6 | | | | | | | |
| 7 | | | | | | | |
| 8 | | | | | | | |
| 9 | | | | | | | |
| 10 | | | | | | | |
| 11 | | 3/4" x 6" NON-FERROUS VOID DRAIN | | | | 24 | |
| 12 | | 10" x 9'-10" VOID | | | | 6 | |
| 13 | | 10" x 10'-10" VOID | | | | 6 | |
| 14 | | SET OF TRIPLE 0.60" STRAND LIFTING LOOPS | | | | 4 | |
| 15 | | | | | | | |



A DIMENSIONAL SECTION
SS4 1" = 1'-0"



B REINFORCING SECTION
SS4 1" = 1'-0"



C POST-TENSIONING DIAPHRAGM REINFORCING SECTION
SS4 3/4" = 1'-0"

| | | |
|---|--|--|
| APPROVAL STAMP: | J.P. CARRARA & SONS INC. Precast & Prestress Manufacturer 2464 OISE ST., MIDDLEBURY, VERMONT 05753 Phone: (802)388-6361 Fax: (802)388-9010 | THE BELDEN COMPANY, INC. CONTRACTOR RUTLAND, VERMONT |
| STATE OF VERMONT AGENCY OF TRANSPORTATION COUNTY OF RUTLAND | DATE: APR. 25, 2014 SCALE: NOTED | CHKD: M.D. DFTM: B.L. JOB NO: 23430-014 |
| CITY OF RUTLAND ROUTE NO.: TH 13 (FOREST STREET) - URBAN COLLECTOR BRIDGE NO.: 14 PROJECT NO.: BRP 3000(18) | PRESTRESSED VOIDED SLAB DETAILS DWG. NO: SS4 | |