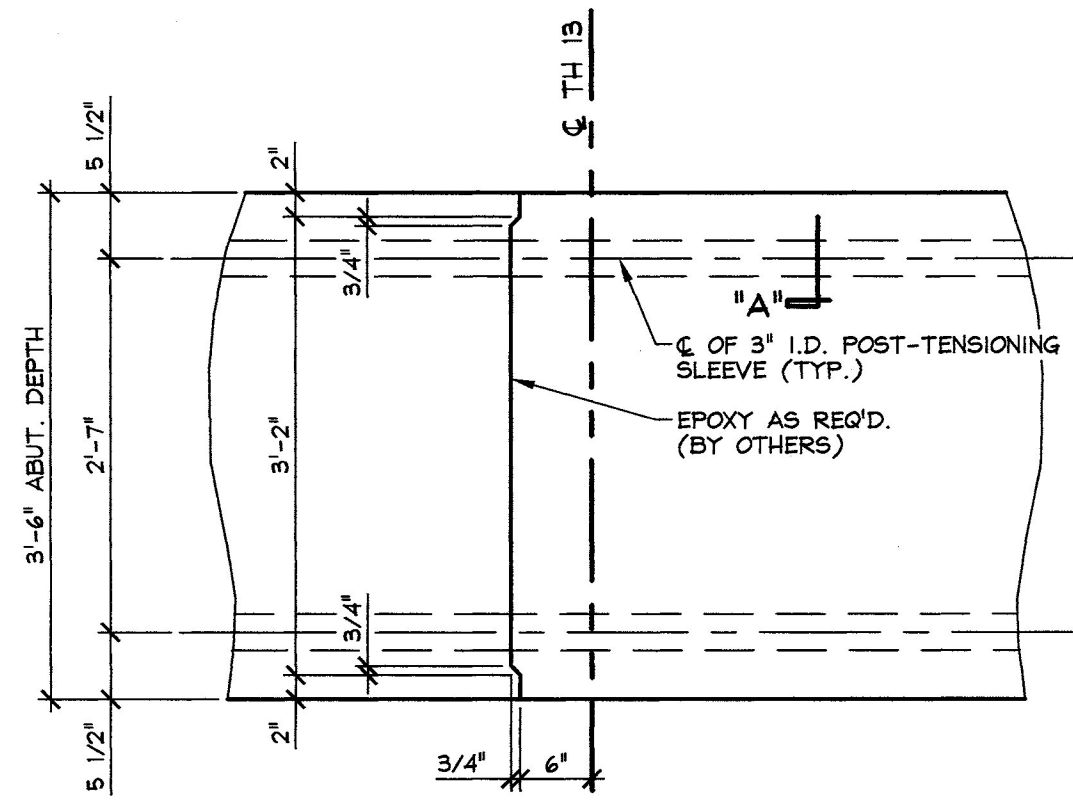
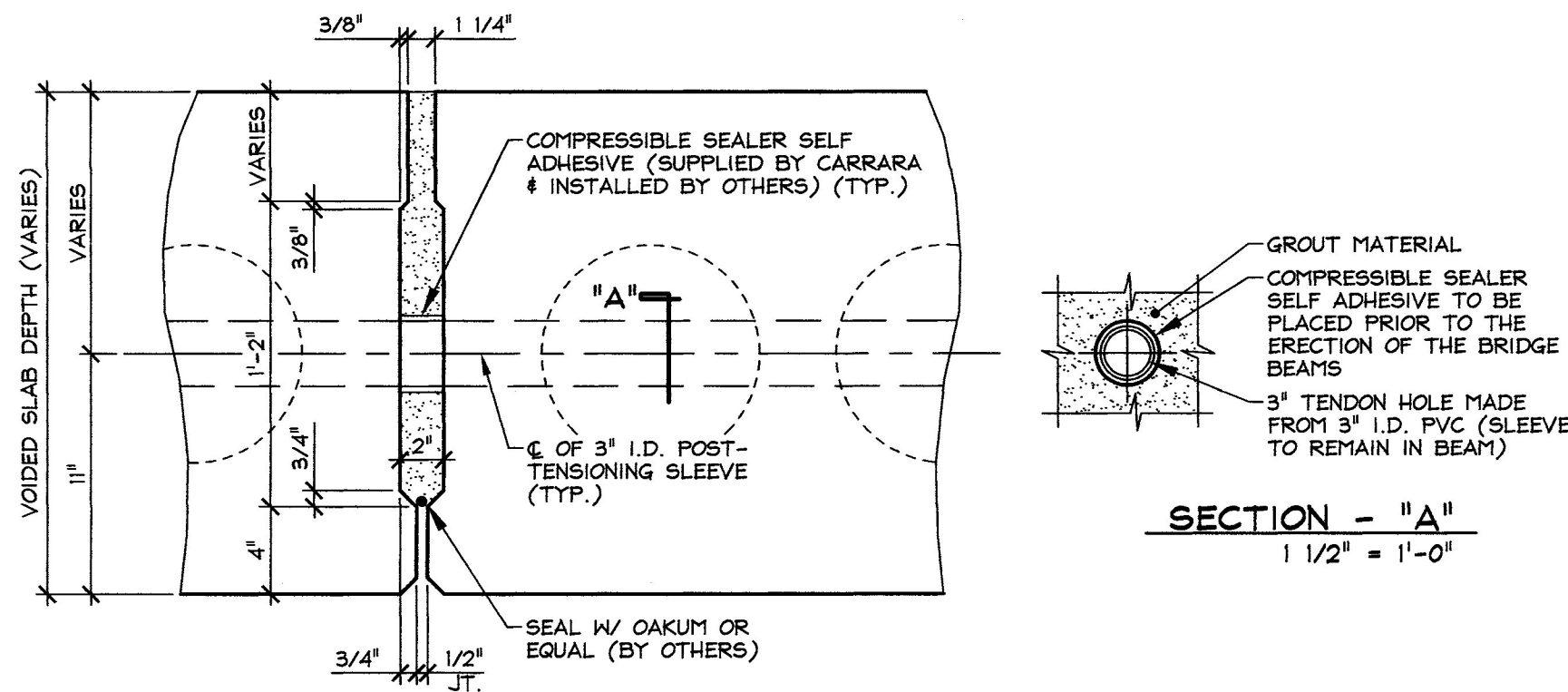


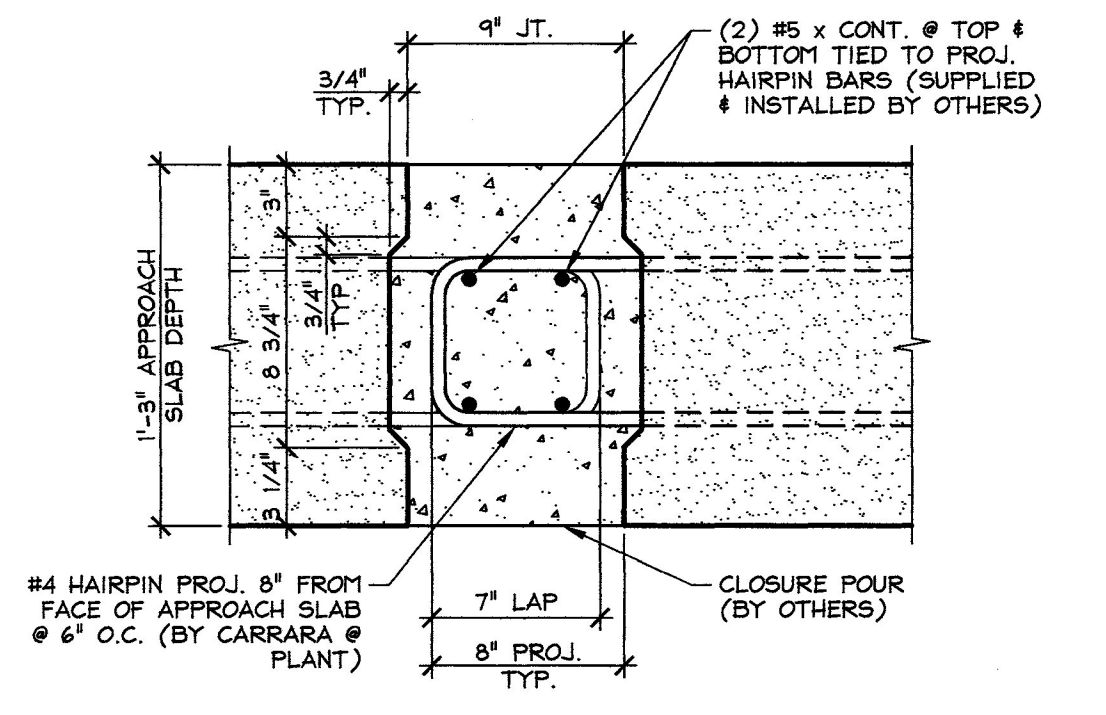
A BEARING SECTION
F5 @ P.T. SLEEVE (ABUTMENT)
3/4" = 1'-0"



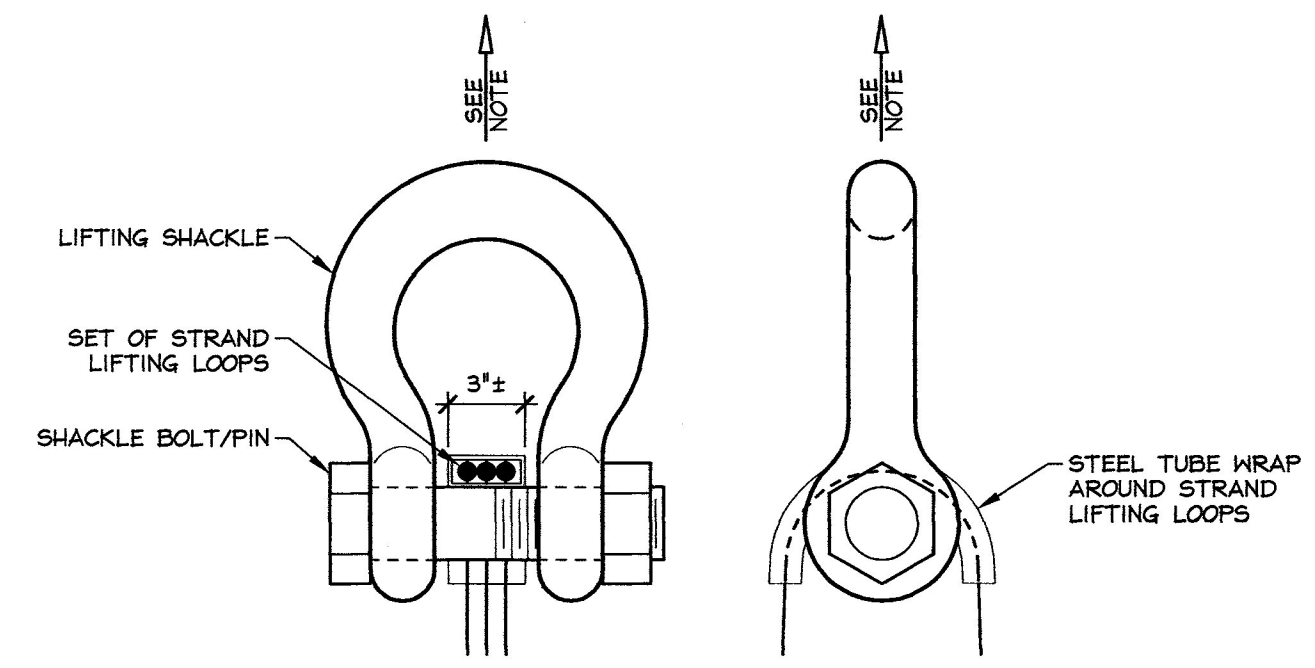
B CONSTRUCTION JOINT SECTION
F5 @ P.T. SLEEVE (ABUTMENT)
3/4" = 1'-0"



C SHEAR KEY SECTION @ P.T. SLEEVE
F5 (VOIDED SLABS)
1/2" = 1'-0"

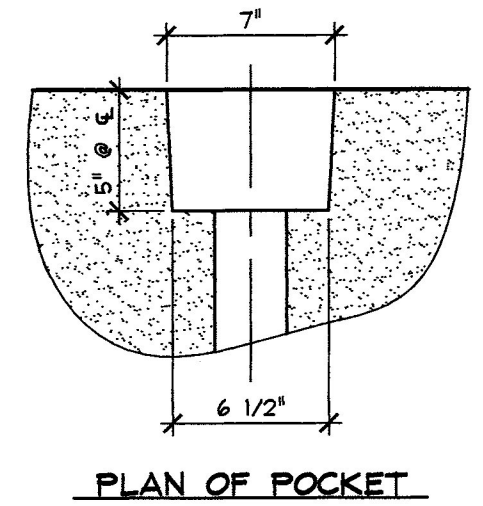


D APPROACH SLAB CLOSURE POUR
F5
1 1/2" = 1'-0"

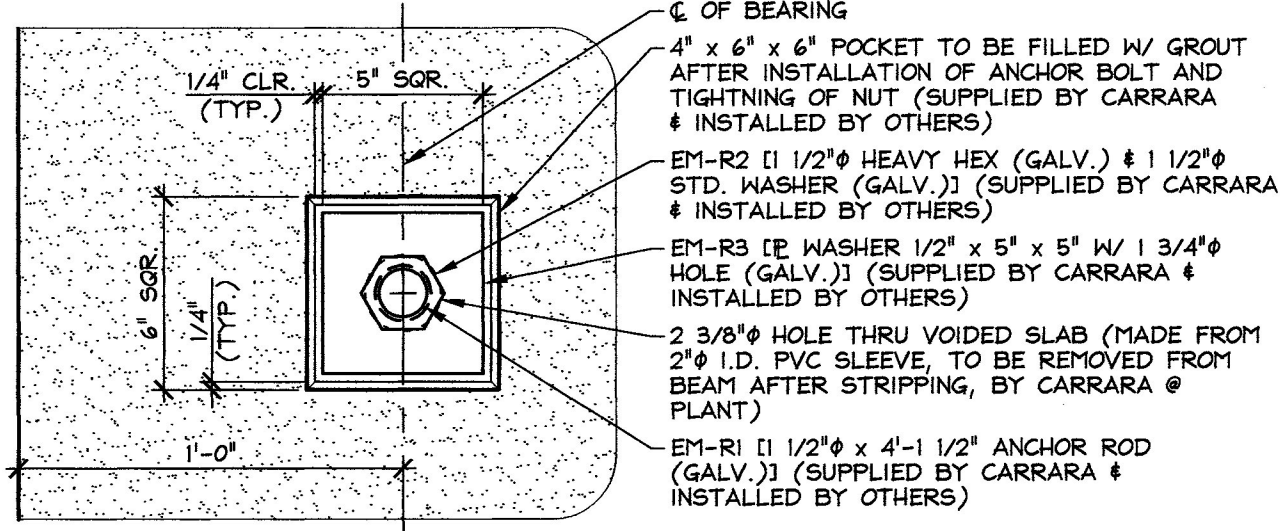


NOTE: SLAB SHALL BE HANDLED AND ERECTED USING THE LIFTING LOOPS ONLY. RIGGING SHALL BE CONFIGURED SUCH THAT EQUAL FORCES ARE APPLIED TO EACH SET OF LIFTING LOOPS AT EACH END OF THE SLAB. SHACKLE BOLT/PIN SHALL BE PLACED UNDER LIFT LOOPS AS SHOWN. DESIGN AND CONFIGURATION OF RIGGING BY PURCHASER.

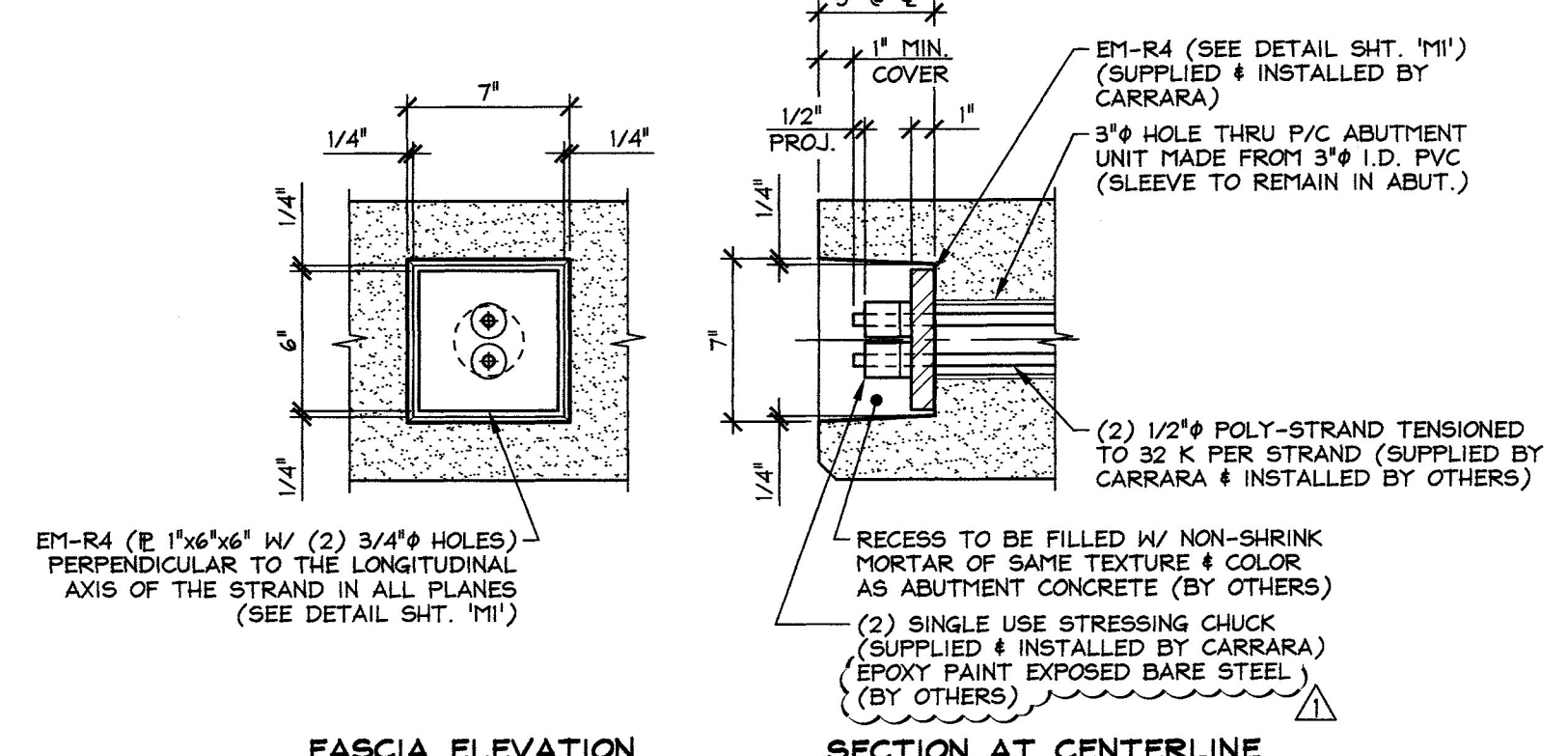
LIFTING SHACKLE DETAILS
N.T.S.



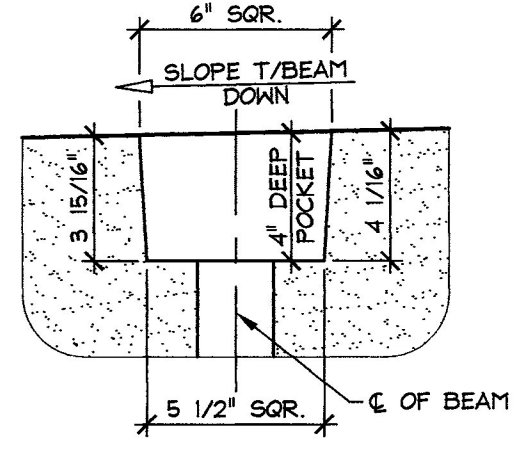
PLAN OF POCKET



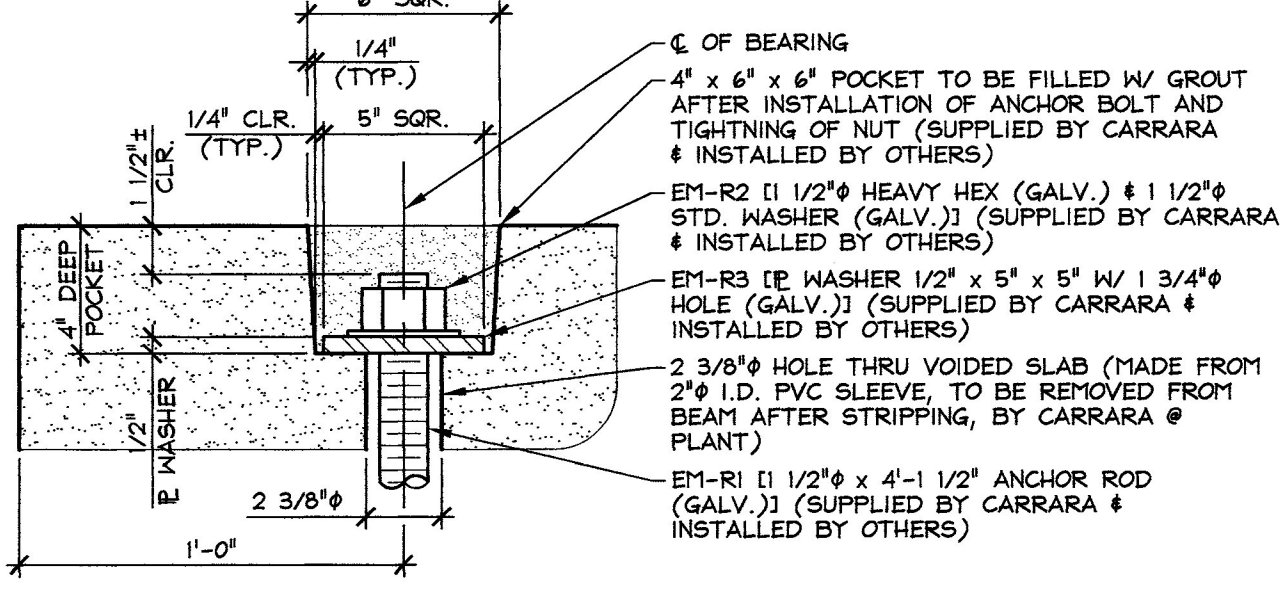
PLAN @ BEAM C



DETAIL - "A"
1 1/2" = 1'-0"



POCKET ELEVATION



DETAIL - "B"
2" = 1'-0"

Vermont Agency of Transportation
RECEIVED

CK'D BY M. Umberger OK'D BY C. Carlson

July 1, 2014

RESUBMIT No Approved
BY C. Carlson DATE 07/08/2014

7-1-14 REVISED AS NOTED

APPROVAL STAMP:	J.P. CARRARA & SONS INC. Precast & Prestress Manufacturer 2464 CASE ST., WOODLURY, VERMONT 05753 Phone: (802)388-6361 Fax: (802)388-9010	THE BELDEN COMPANY, INC. CONTRACTOR RUTLAND, VERMONT
STATE OF VERMONT AGENCY OF TRANSPORTATION COUNTY OF RUTLAND	DATE: APR. 25, 2014	SCALE: NOTED
CITY OF RUTLAND ROUTE NO.: TH 13 (FOREST STREET) - URBAN COLLECTOR BRIDGE NO.: 14 PROJECT NO.: BRP 3000(18)	CHKD: M.D. DFTM: B.L.	JOB NO: 23430-014
SUPERSTRUCTURE SECTIONS & DETAILS	DWG. NO:	F5