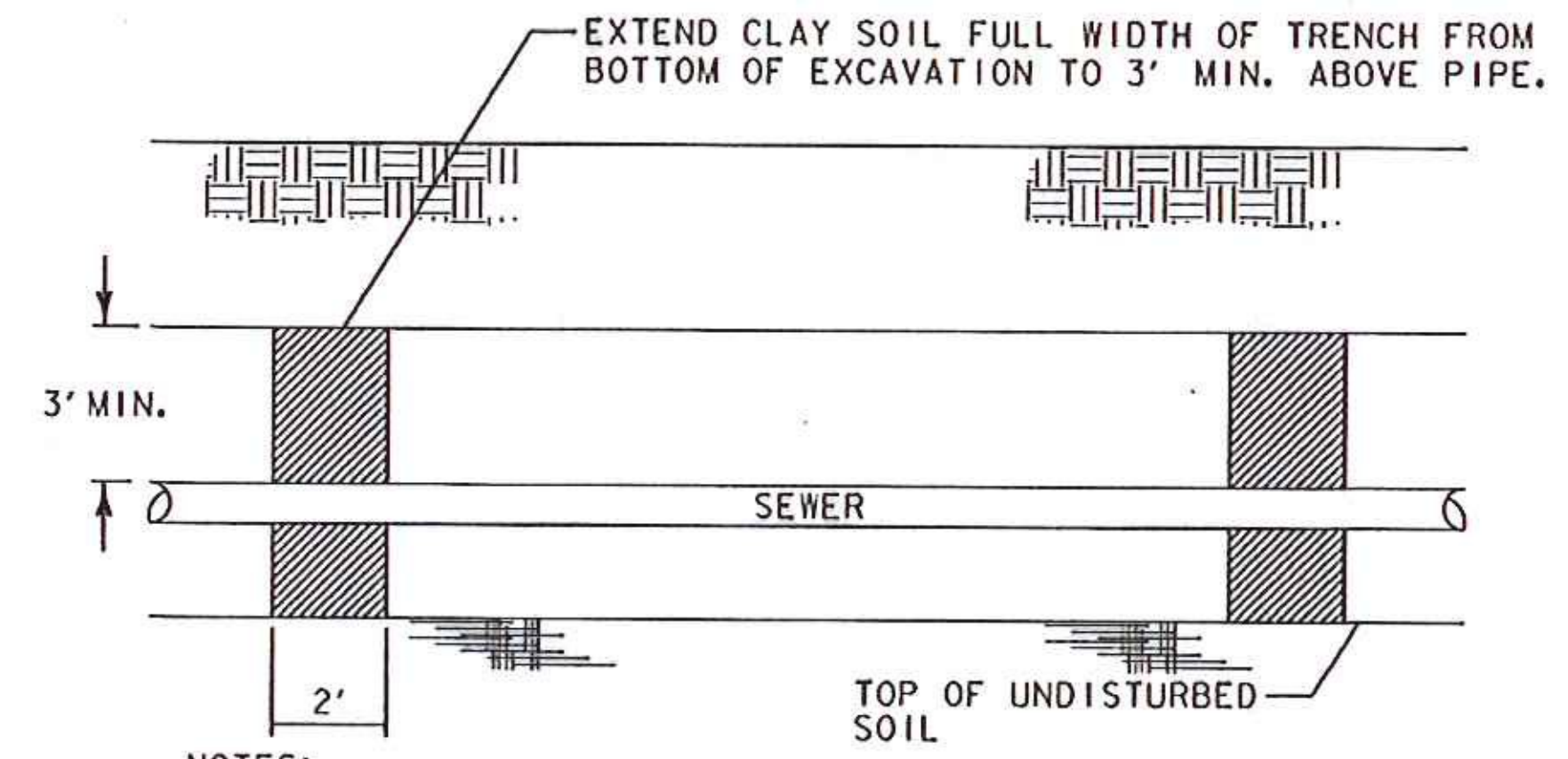


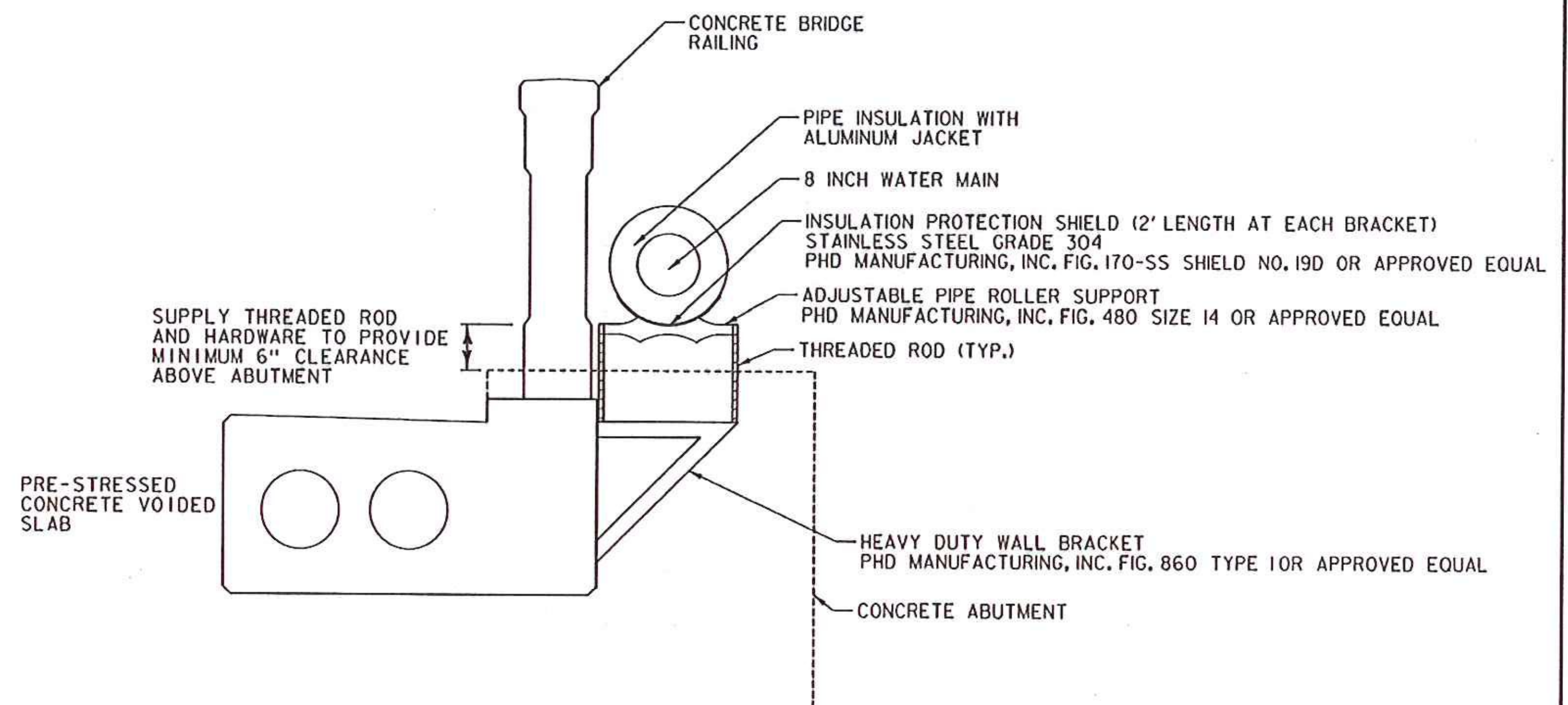
- NOTES:**
- EXCEPT FOR NEW PAVEMENT AND TRENCH EXCAVATION OF ROCK, WORK DEPICTED ON THIS DETAIL SHALL BE INCIDENTAL TO EITHER SPECIAL PROVISION WATER MAIN OR SPECIAL PROVISION SEWER ITEMS.
  - FOR STREET EXCAVATIONS, SUITABLE STOCKPILED MATERIAL FOR BACKFILL SHALL BE PLACED TO MATCH THE DEPTH OF EXISTING SUBBASE. UNSUITABLE BACKFILL WILL INCLUDE STONES OVER 4 INCHES IN LARGEST DIMENSION, CLAY, WET OR UNSTABLE MATERIAL, WOOD OR OTHER ORGANIC MATERIAL, AND FROZEN MATERIAL.
  - PAYMENT FOR TRENCH EXCAVATION OF EARTH, STOCKPILING, DISPOSAL OF ALL SURPLUS MATERIAL, BACKFILL, SAND BORROW CUSHION, CRUSHED STONE BEDDING, LABOR, TOOLS, EQUIPMENT AND ALL INCIDENTALS NECESSARY TO COMPLETE THE WORK SHALL BE INCIDENTAL TO THE APPLICABLE PAY ITEM REFERENCED IN NOTE 1; EXCEPT FOR NEW PAVEMENT AND TRENCH EXCAVATION OF ROCK, WHICH WILL BE PAID FOR SEPARATELY.

**TYPICAL TRENCH DETAIL**



- NOTES:**
- CLAY SOIL TO EXHIBIT  $1 \times 10^{-6}$  CM/SEC PERMEABILITY MAX.
  - TRENCH DAM REQUIRED ON NORTH SIDE OF STREAM CROSSING AS SHOWN ON SEWER PROFILE.
  - THIS WORK WILL BE CONSIDERED INCIDENTAL TO ITEM 900.640 SPECIAL PROVISION (DUCTILE IRON PIPE, CEMENT-LINED, ALL-INCLUSIVE) (12" SEWER)

**TRENCH DAM DETAIL**



- NOTES:**
- PIPE SHALL FEATURE RESTRAINED JOINTS.
  - PROVIDE AT LEAST ONE PIPE SUPPORT PER PIPE LENGTH.
  - INSULATION SHALL BE 3-INCH POLYISOCYANURATE WITH A 0.020-INCH THICK ALUMINUM JACKET.
  - PROVIDE THREADED ANCHOR SLEEVE AND PROPOSE WALL BRACKET BOLT CONFIGURATION IN PRE-STRESSED CONCRETE VOIDED SLAB WORKING PLANS. PROVIDE LOAD CALCULATIONS SHOWING PIPE AND SUPPORT COMPONENT WEIGHTS WITH VOIDED SLAB WORKING PLANS.
  - INSTALL LOCKABLE 2-INCH CORPORATION FOR MANUAL AIR RELEASE.
  - ALL WORK SHALL BE PAID FOR UNDER ITEM 900.640 SPECIAL PROVISION (DUCTILE IRON PIPE, CEMENT-LINED, ALL-INCLUSIVE) (8" WATER ON BRIDGE).

**WATER MAIN ON BRIDGE CROSSING**

- PLAN REVISIONS**
- ② 3/5/14: MODIFICATIONS TO WATER MAIN ON BRIDGE CROSSING DETAIL.
  - ① 1/16/14: MODIFIED TRENCH DAM DETAIL (PER DEC).

NOT TO SCALE

WATER AND SEWER PLANS		PROJECT NAME: RUTLAND CITY
		PROJECT NUMBER: BRF 3000(18)
<p>540 Commercial Street, Manchester, NH 03101          (603) 668-8223 • Fax (603) 668-8302          cld@cdengineers.com • www.cdengineers.com          Maine • New Hampshire • Vermont</p>	FILE NAME: \$FILEABBREV\$	
	PROJECT LEADER: C. BEAN	PLOT DATE: 3/5/2014
	DESIGNED BY: D. LEWIS	DRAWN BY: W. GORDON
	WATER/SEWER DETAILS 1	CHECKED BY: S. REICHERT
		SHEET 3 OF 7