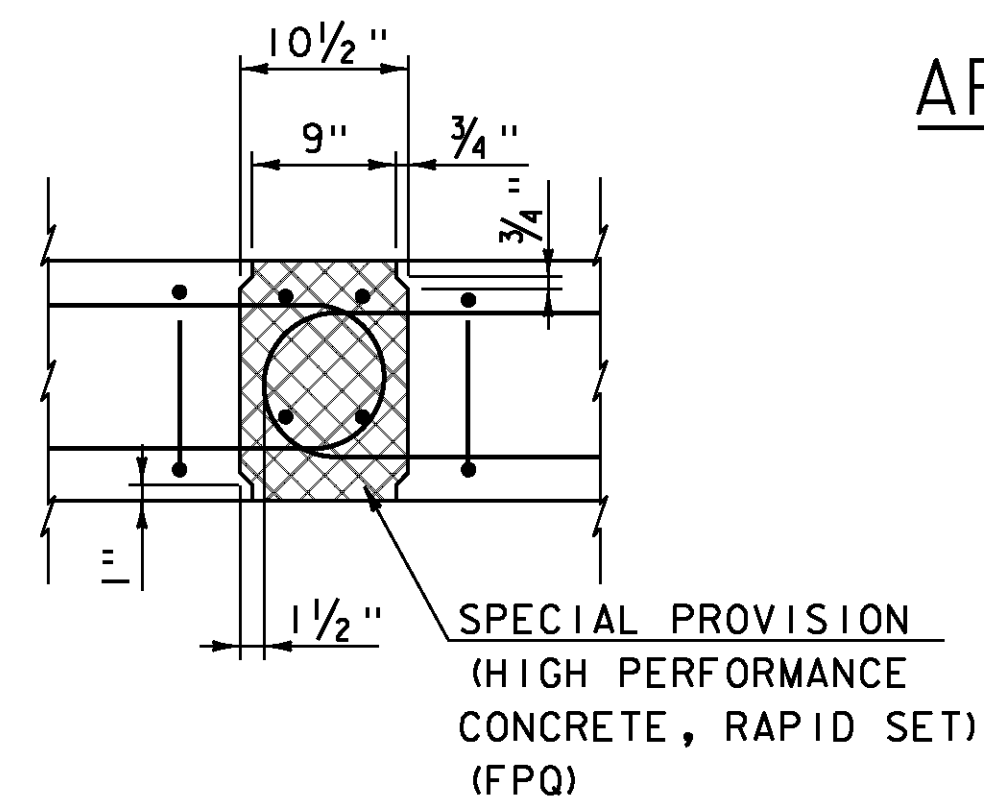
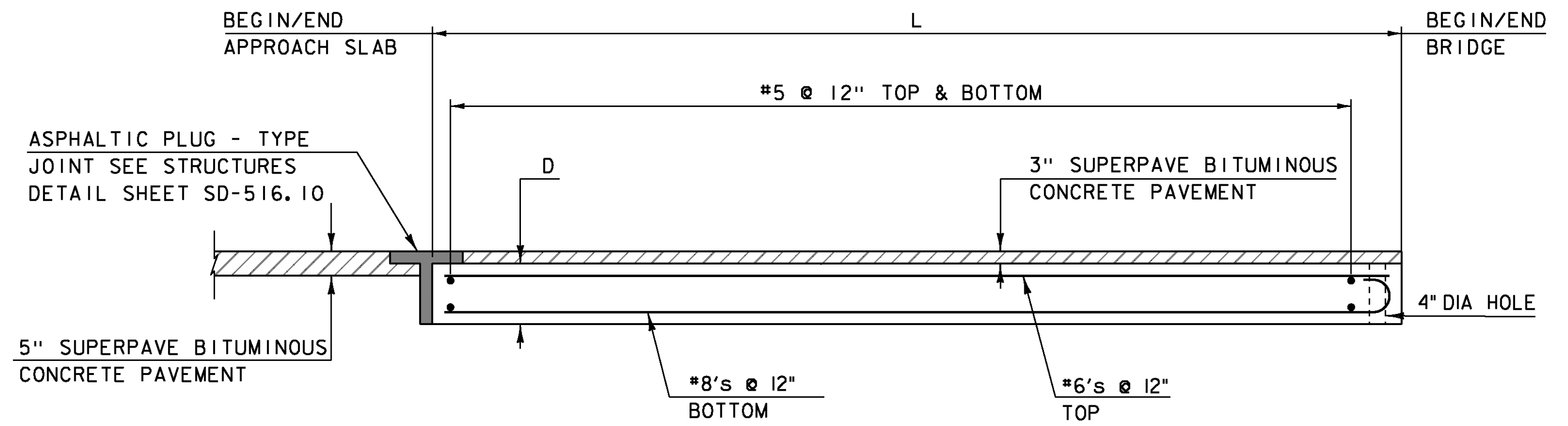


\* ALTERNATE LIFTING POINTS MAY BE SUBMITTED WITH CALCULATIONS FOR NEW LOCATIONS.

APPROACH SLAB PLAN VIEW

SCALE 1/2" = 1'-0"



JOINT DETAIL

SCALE 1" = 1'-0"

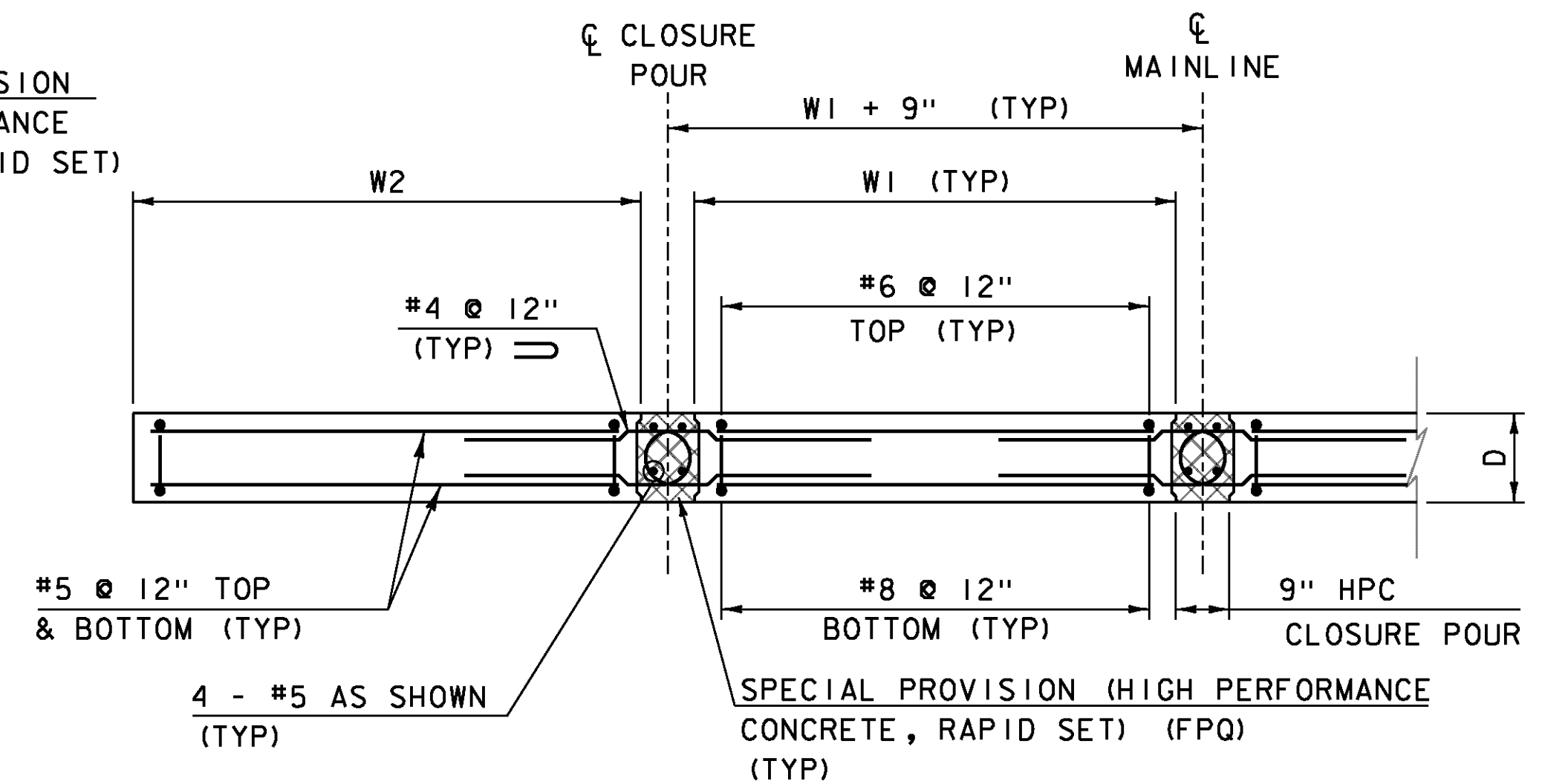
D	1'-3"
L	20'-0"
W	7'-4"
W1	5'-10"
W2	5'-9 1/2"
W3	6'-7"
W4	6'-7 1/2"

APPROACH SLAB DIMENSIONS

	STATION	19'-4" LT	CL	14'-4" RT
BEGIN AS#1	3+20.50	529.83	530.22	529.93
END AS#1	3+40.50	530.04	530.43	530.14
BEGIN AS#2	3+93.50	530.50	530.89	530.60
END AS#2	4+13.50	530.65	531.04	530.75

APPROACH SLAB ELEVATIONS

ALL ELEVATIONS ARE TOP OF SLAB



NOTE:

- NF = NEAR FACE
- FF = FAR FACE
- EF = EACH FACE
- ▲ = CUT TO FIT IN FIELD
- 3" CLEAR, UNLESS OTHERWISE SPECIFIED ON THE PLANS.
- 2'-2" BAR LAP UNLESS OTHERWISE SPECIFIED ON THE PLANS.

PROJECT NAME: RUTLAND CITY  
PROJECT NUMBER: BRF 3000 (18)

FILE NAME: s96j244appslab.dgn  
PROJECT LEADER: C. CARLSON  
DESIGNED BY: EVANS-MONGEON  
APPROACH SLAB DETAILS

PLOT DATE: 28-FEB-2014  
DRAWN BY: EVANS-MONGEON  
CHECKED BY: C. CARLSON  
SHEET 21 OF 44