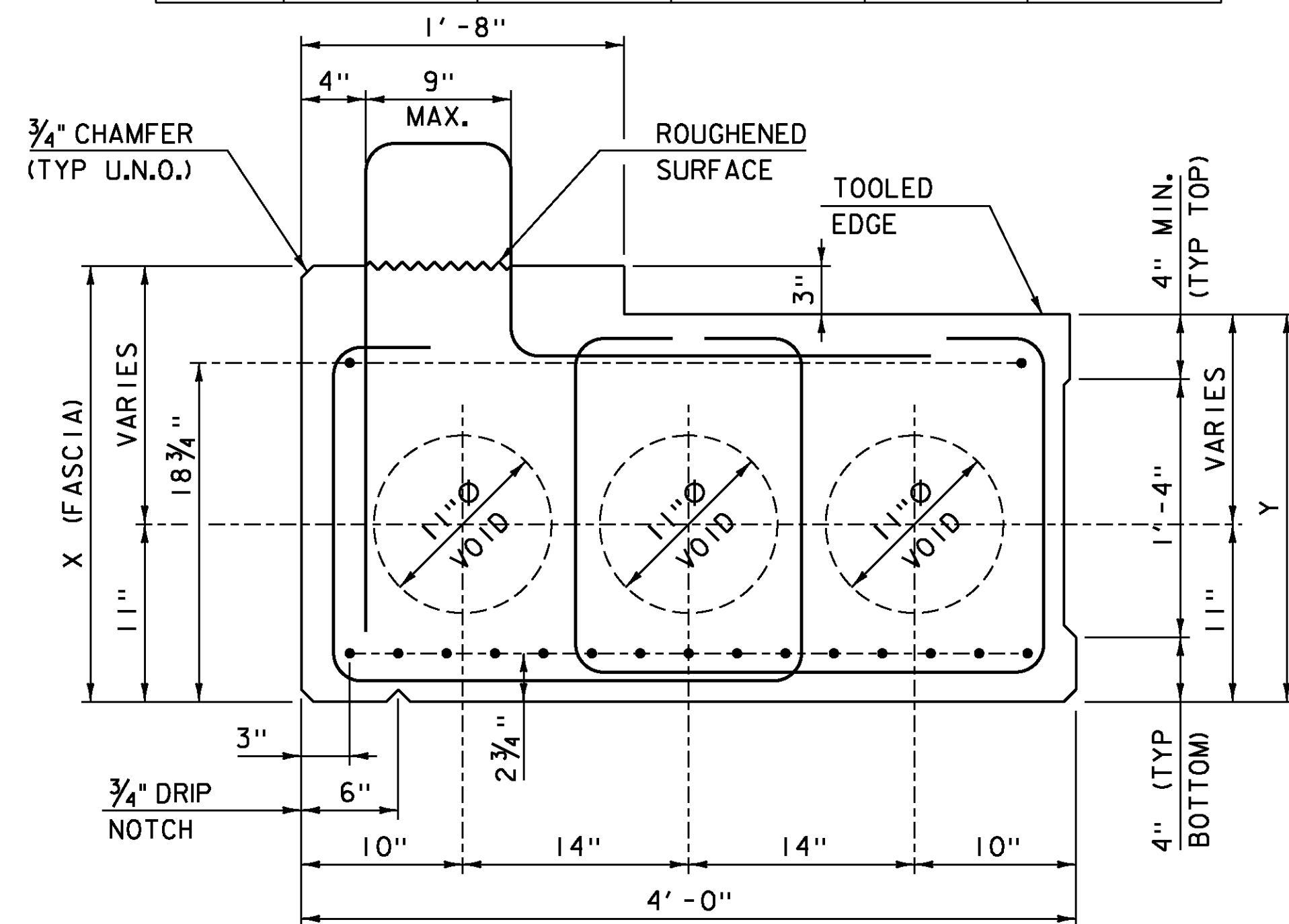


VOIDED SLAB UNIT #2-#8 TYPICAL

SCALE: 1 1/2" = 1'-0"

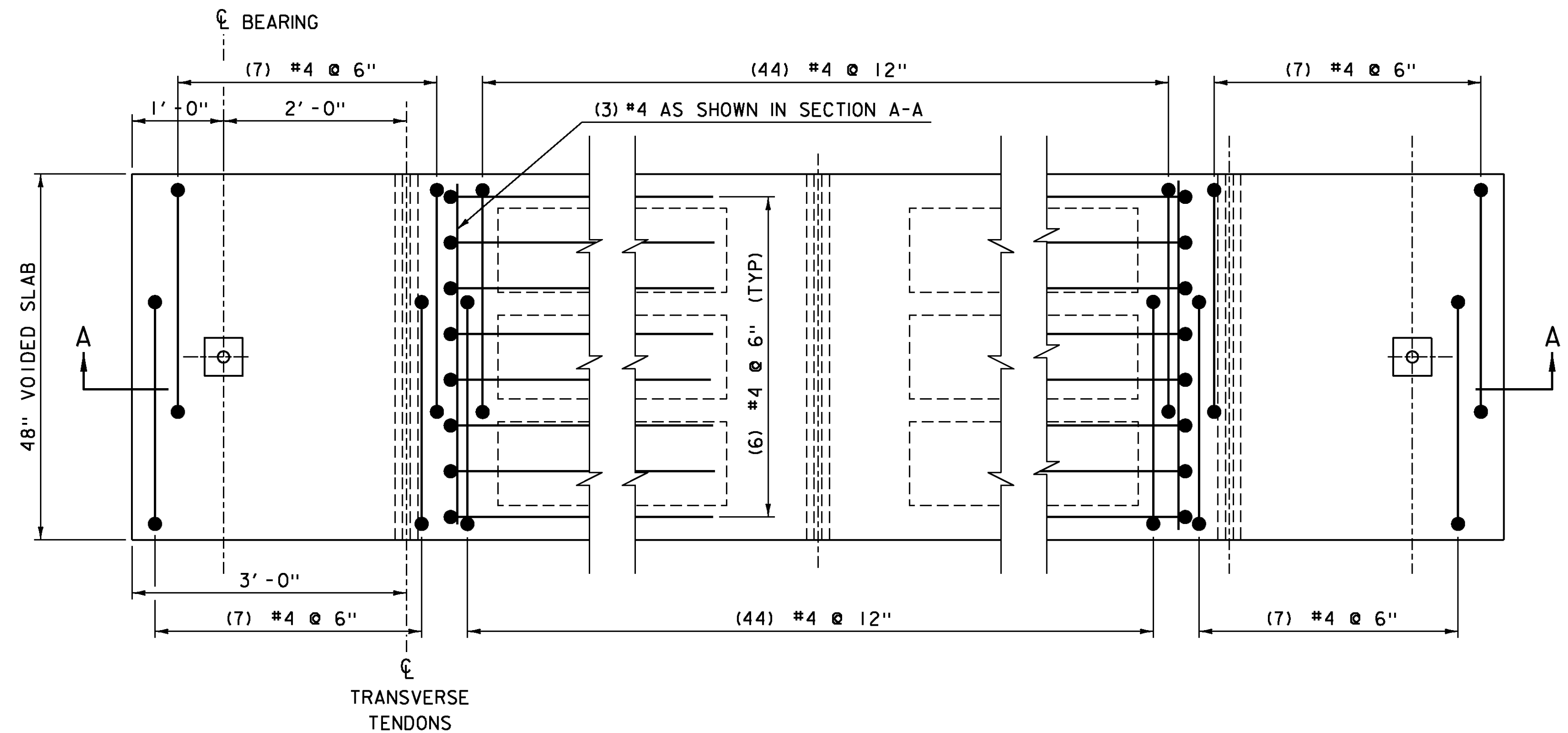
VOIDED SLAB UNIT	QUANTITY	(X) DIMENSION	(Y) DIMENSION	BOTTOM STRAND COUNT	TOP STRAND COUNT
#2	1	22"	23"	15	2
#3	1	23"	24"	16	2
#4	1	24"	25"	16	2
#5	1	25"	26"	17	2
#6	1	25"	26"	17	2
#7	1	24"	25"	16	2
#8	1	23"	24"	16	2



VOIDED SLAB UNIT #1 & #9 TYPICAL

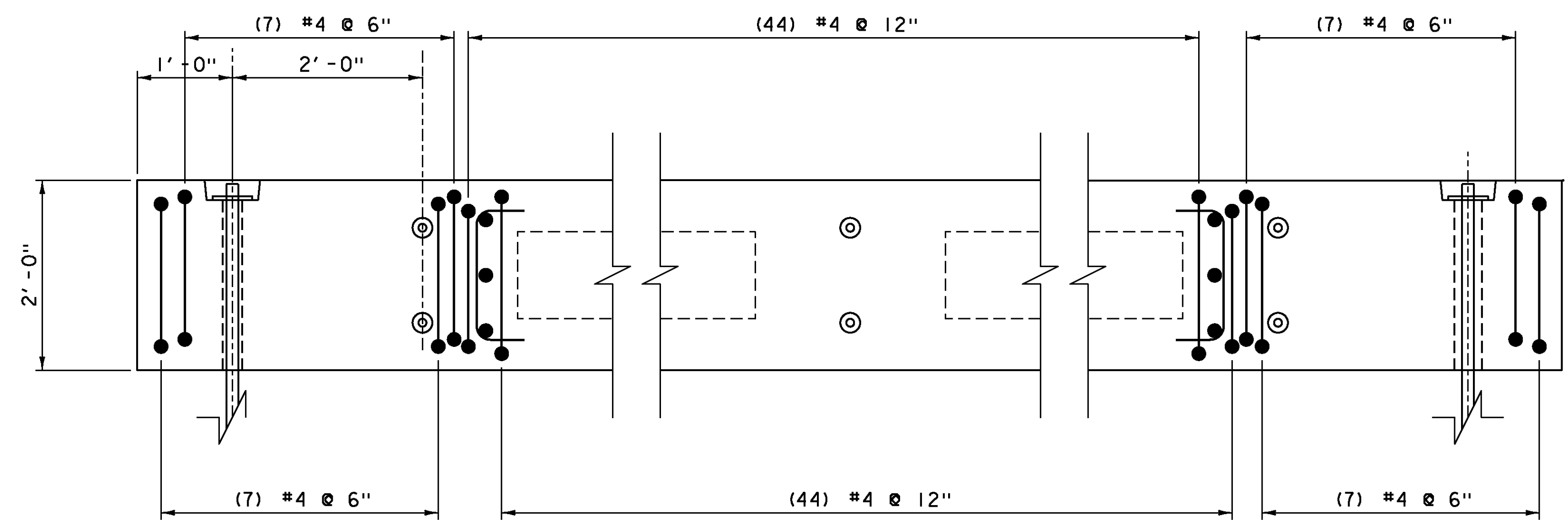
SCALE: 1 1/2" = 1'-0"

VOIDED SLAB UNIT	QUANTITY	(X) FASCIA DIMENSION	(Y) DIMENSION	BOTTOM STRAND COUNT	TOP STRAND COUNT
#1	1	24"	22"	16	2
#9	1	25"	23"	17	2



VOIDED SLAB PLAN DETAIL

SCALE: 1" = 1'-0"



VOIDED SLAB SECTION A-A

SCALE: 1" = 1'-0"

PROJECT NAME: RUTLAND CITY
PROJECT NUMBER: BRF 3000 (18)

FILE NAME: s96j244sup.dgn
PROJECT LEADER: C. CARLSON
DESIGNED BY: M. EVANS-MONGEON
BRIDGE VOIDED SLAB DETAILS 2

PLOT DATE: 28-FEB-2014
DRAWN BY: M. LONGSTREET
CHECKED BY: M. UMBERGER
SHEET 20 OF 44