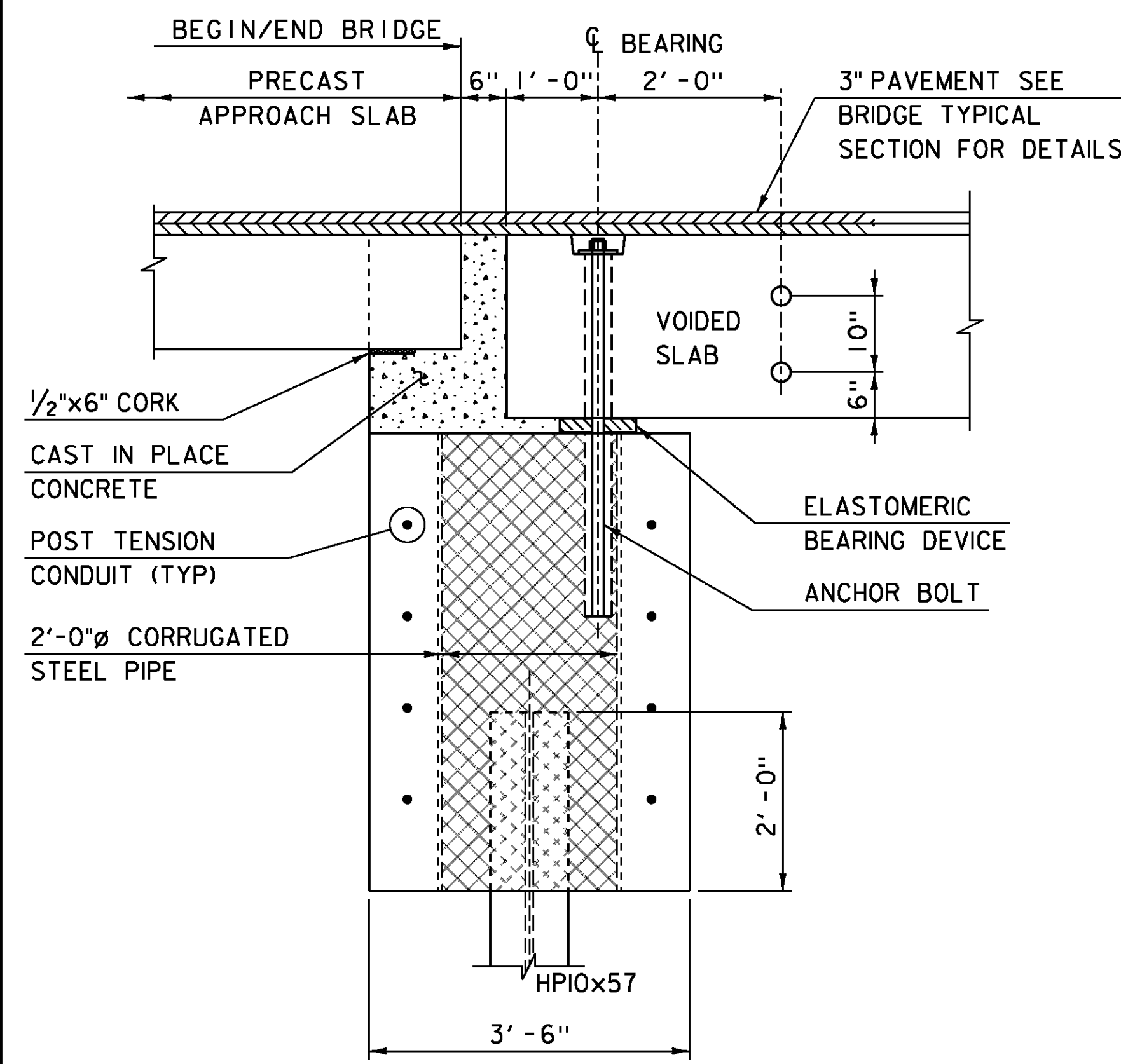
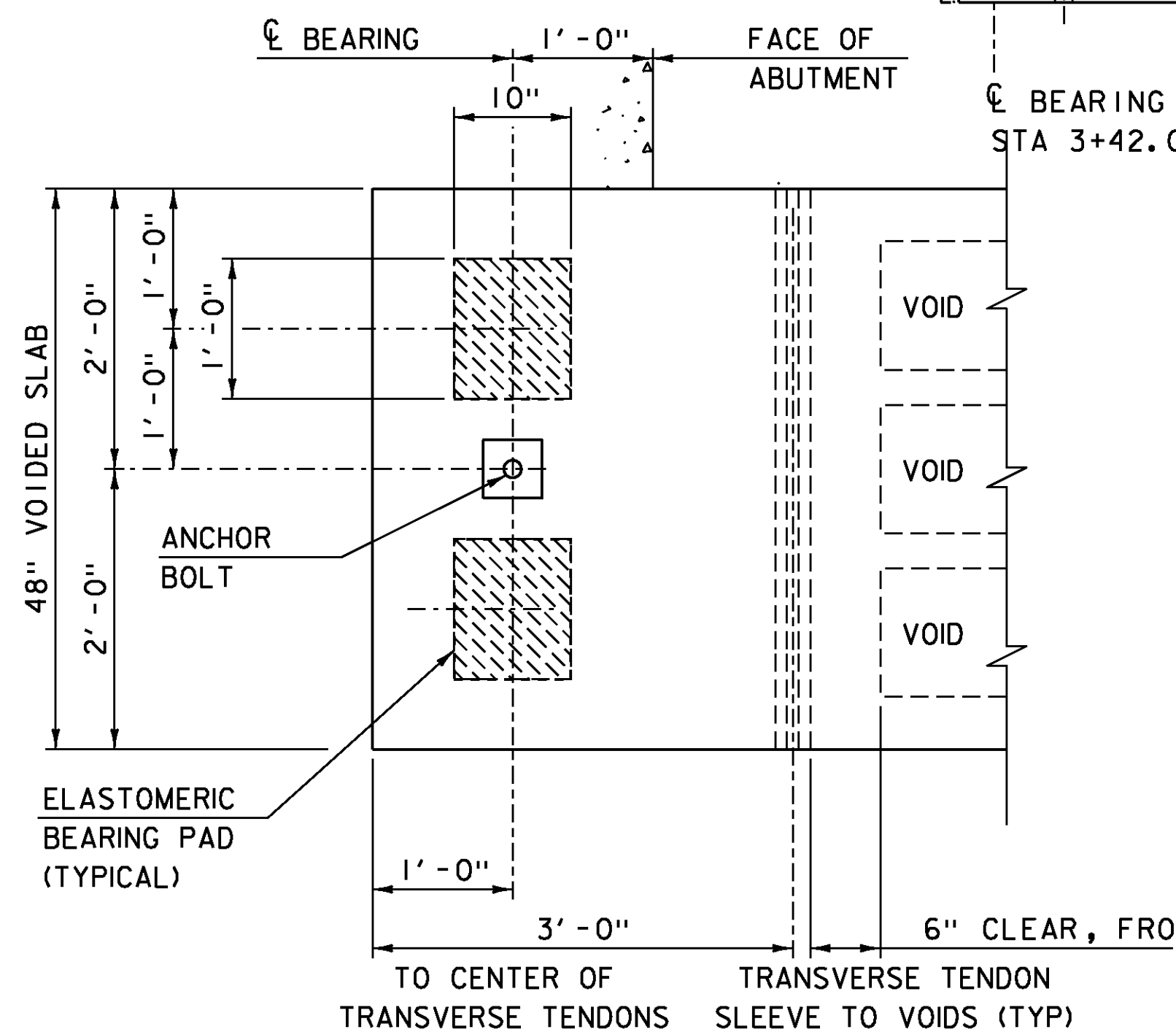


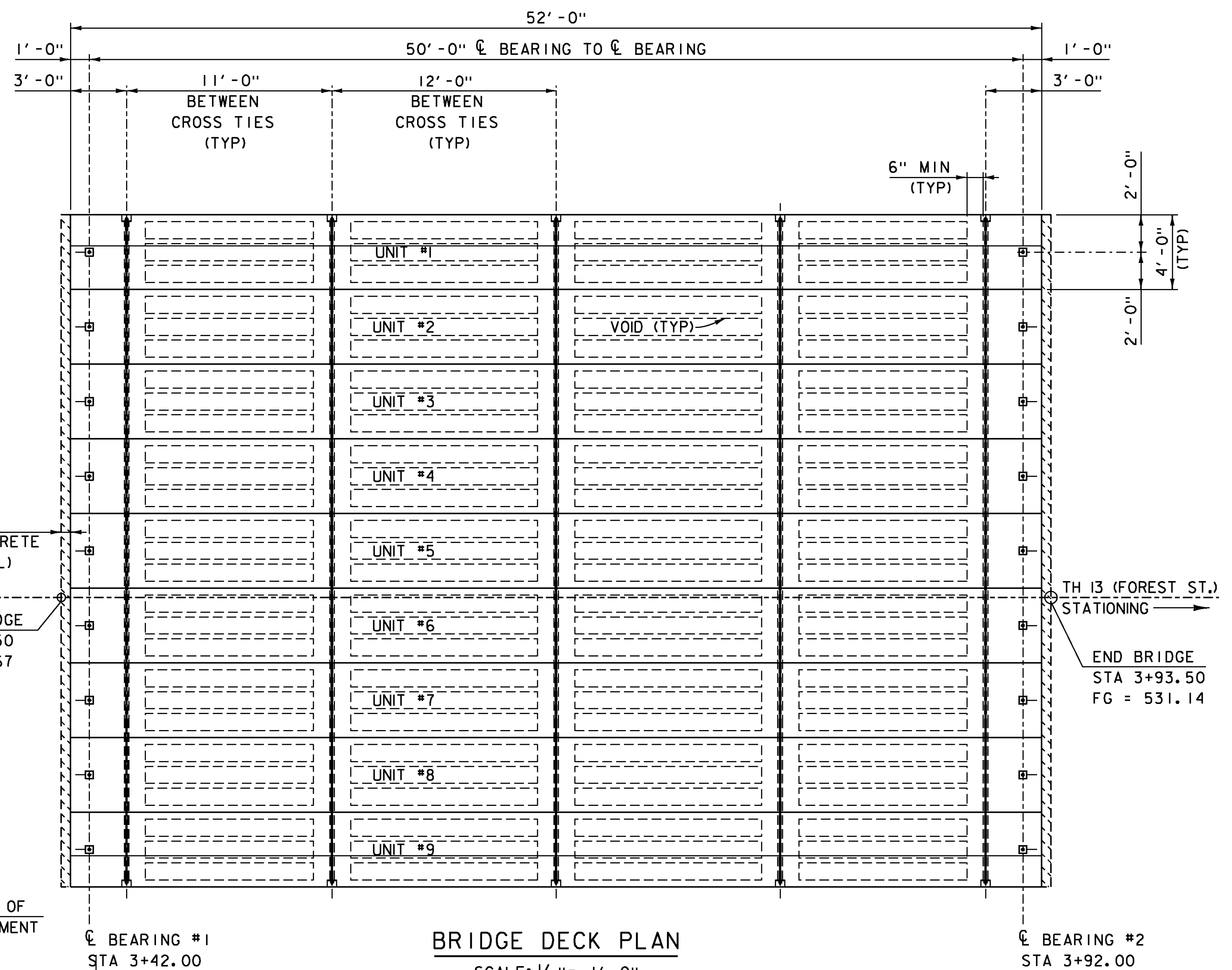
ANCHOR BOLT DETAIL
SCALE: 1" = 1'-0"



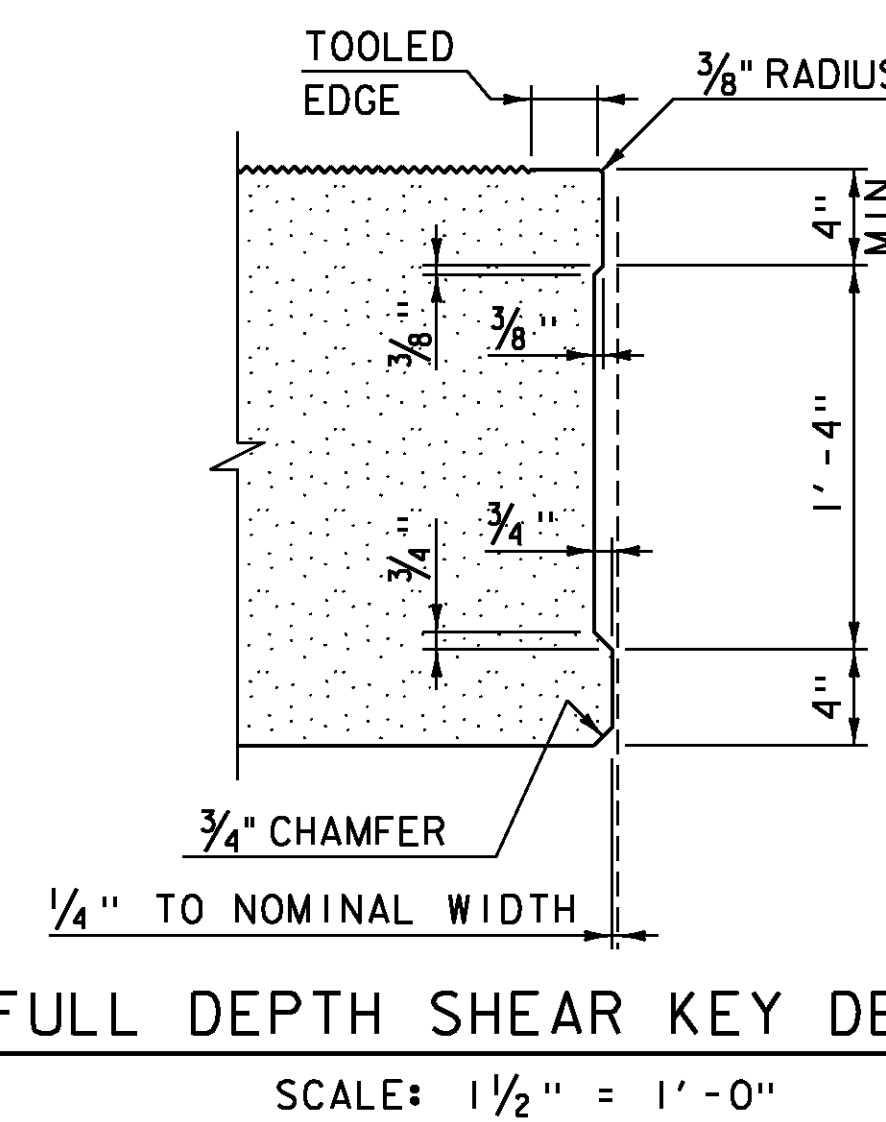
BEGIN/END BRIDGE DETAIL
SCALE: 3/4" = 1'-0"



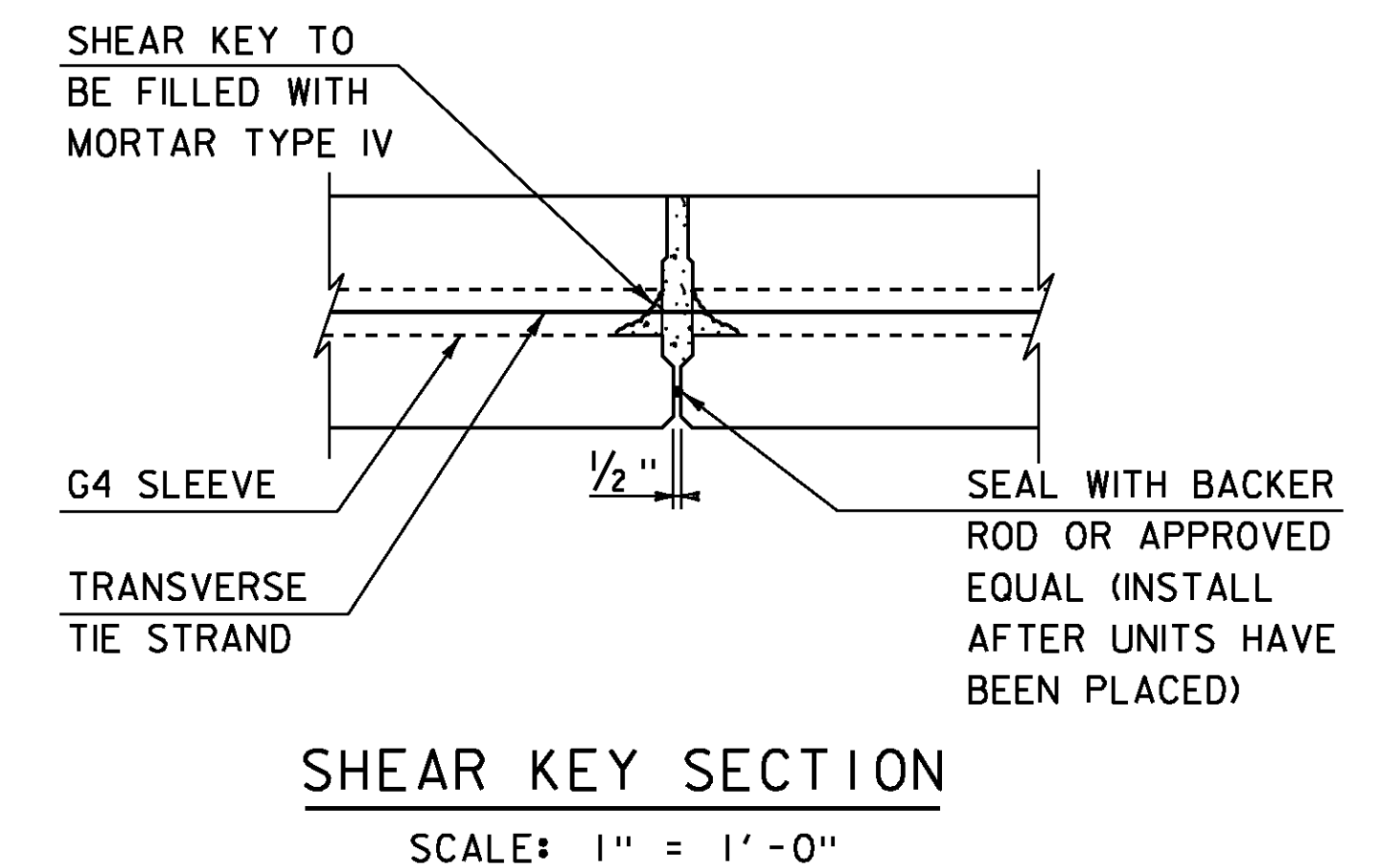
BEARING PAD PLACEMENT DETAIL
SCALE: 1" = 1'-0"



BRIDGE DECK PLAN
SCALE: 1/4" = 1'-0"



FULL DEPTH SHEAR KEY DETAIL
SCALE: 1/2" = 1'-0"



SHEAR KEY SECTION
SCALE: 1" = 1'-0"

| | | | | | |
|-----------------|---------------|------------------|------------------|-------------|---------------|
| PROJECT NAME: | RUTLAND CITY | FILE NAME: | s96j244sup.dgn | PLOT DATE: | 28-FEB-2014 |
| PROJECT NUMBER: | BRF 3000 (18) | PROJECT LEADER: | C. CARLSON | DRAWN BY: | M. LONGSTREET |
| | | DESIGNED BY: | M. EVANS-MONGEON | CHECKED BY: | M. UMBERGER |
| | | BRIDGE DECK PLAN | | SHEET | 18 OF 44 |