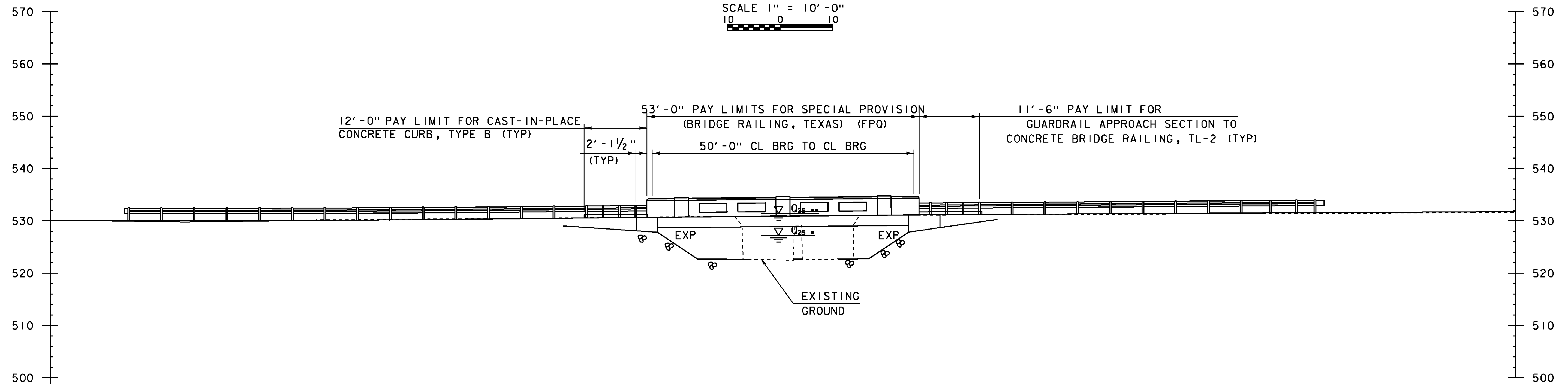


PLAN

SCALE 1" = 10'-0"
 10 0 10



ELEVATION

SCALE 1" = 10'-0"
 10 0 10

Q₂₅ .. = 531.4' WITH OTTER CREEK TAILWATER
 Q₂₅ . = 527.2' WITHOUT OTTER CREEK TAILWATER

PROJECT NAME: RUTLAND CITY
 PROJECT NUMBER: BRF 3000(18)

FILE NAME: s96j244pe.dgn
 PROJECT LEADER: C. CARLSON
 DESIGNED BY: M. EVANS-MONGEON
 PLAN AND ELEVATION

PLOT DATE: 28-FEB-2014
 DRAWN BY: R. PELLETT
 CHECKED BY: M. E-M
 SHEET 17 OF 44