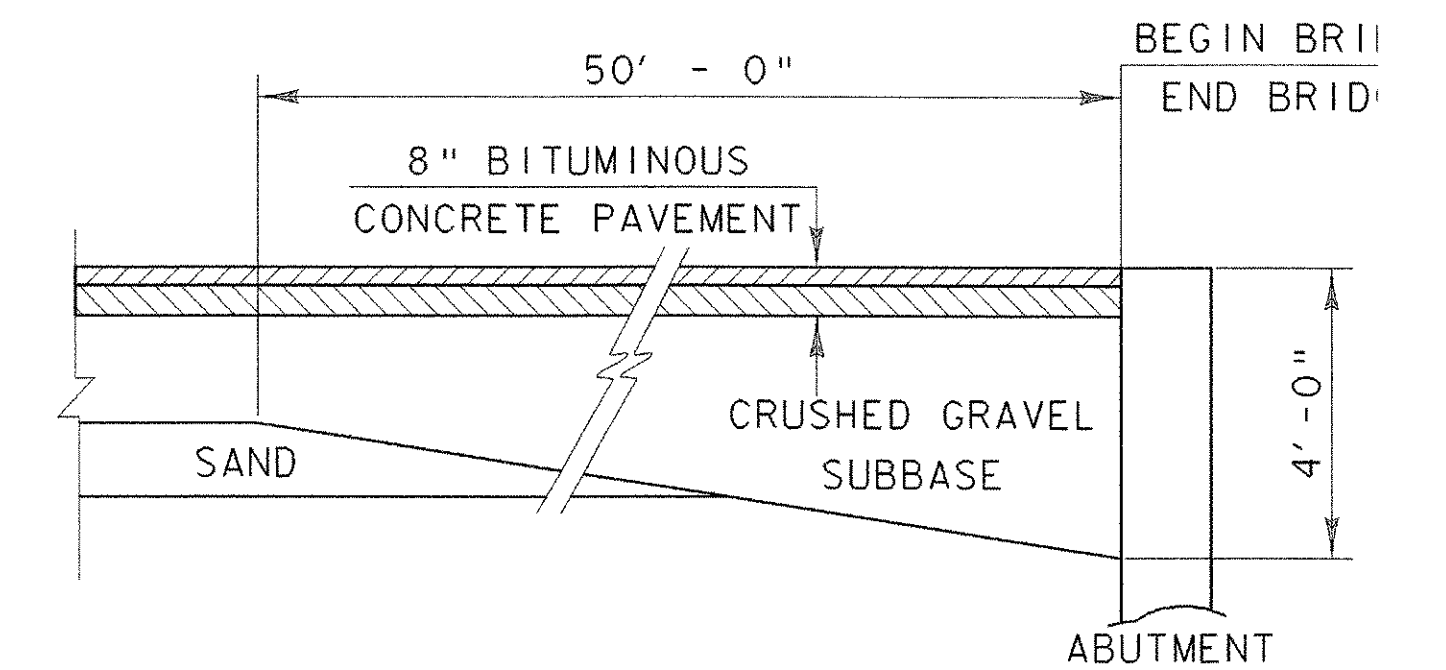
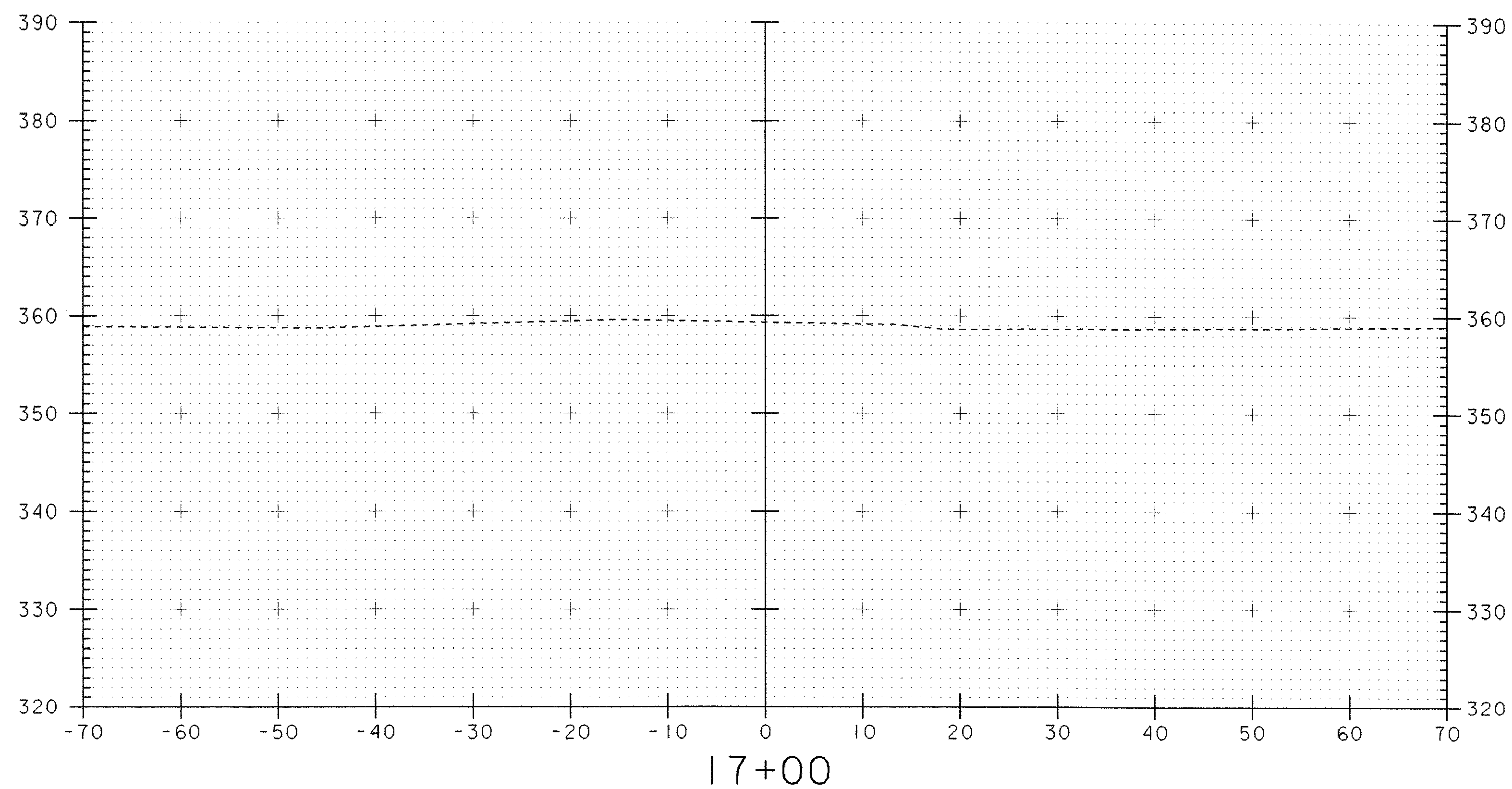


**MATERIAL TAPER @
BEGIN / END APPROACH**
(NOT TO SCALE)



**MATERIAL TAPER
@ ABUTMENTS**
(NOT TO SCALE)



SCALE 1" = 10'-0"
10 0 10

DATUM	
VERTICAL	NAVD 88
HORIZONTAL	NAD 83/92

PROJECT:	PROCTOR - PITTSFORD	PROJECT NO.:	BHO 1443 (3)
DESIGN FILE NAME:	96J242\Structures\sj242esec.dgn	PLOT DATE:	10-JAN-2
IPARM FILE NAME:	sj242m18.i	SURVEY DATE:	02-02-9
SURVEYED BY:	L. ORVIS	DRAWN BY:	T. ANDERSON
SQUAD LEADER:	C.P. WILLIAMS	TH 6/14 CROSS SECTIONS	SHEET: 47 OF 60