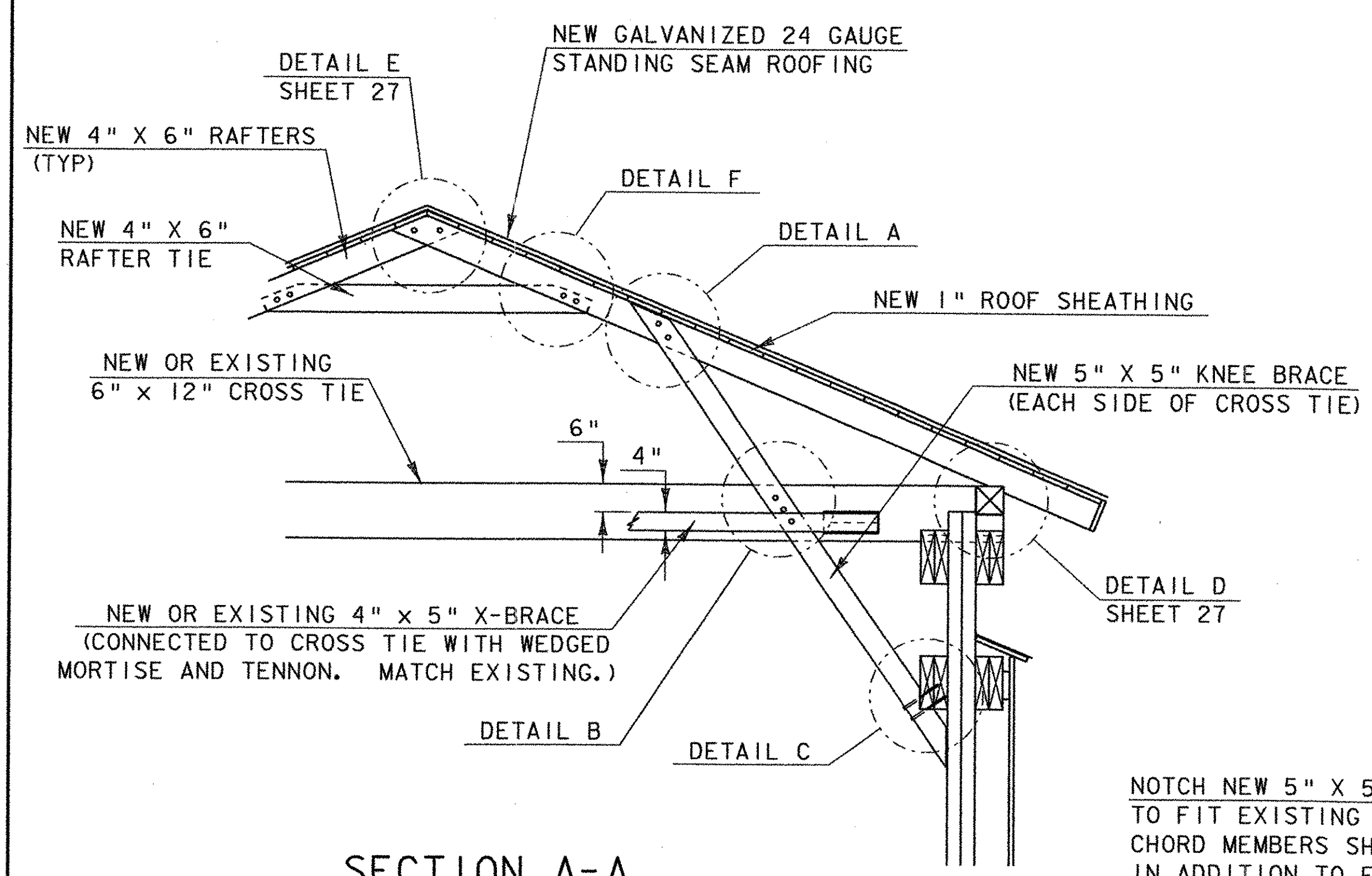


**RAFTER PLAN**

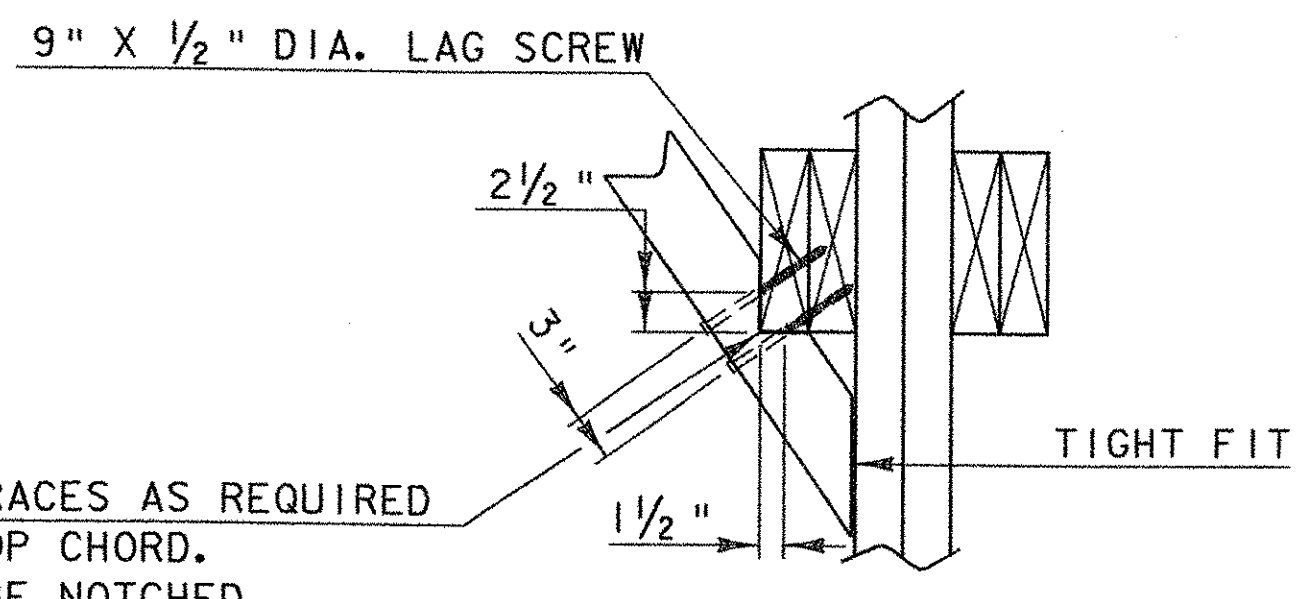
SCALE  $\frac{3}{16}$ " = 1'-0"



**SECTION A-A**

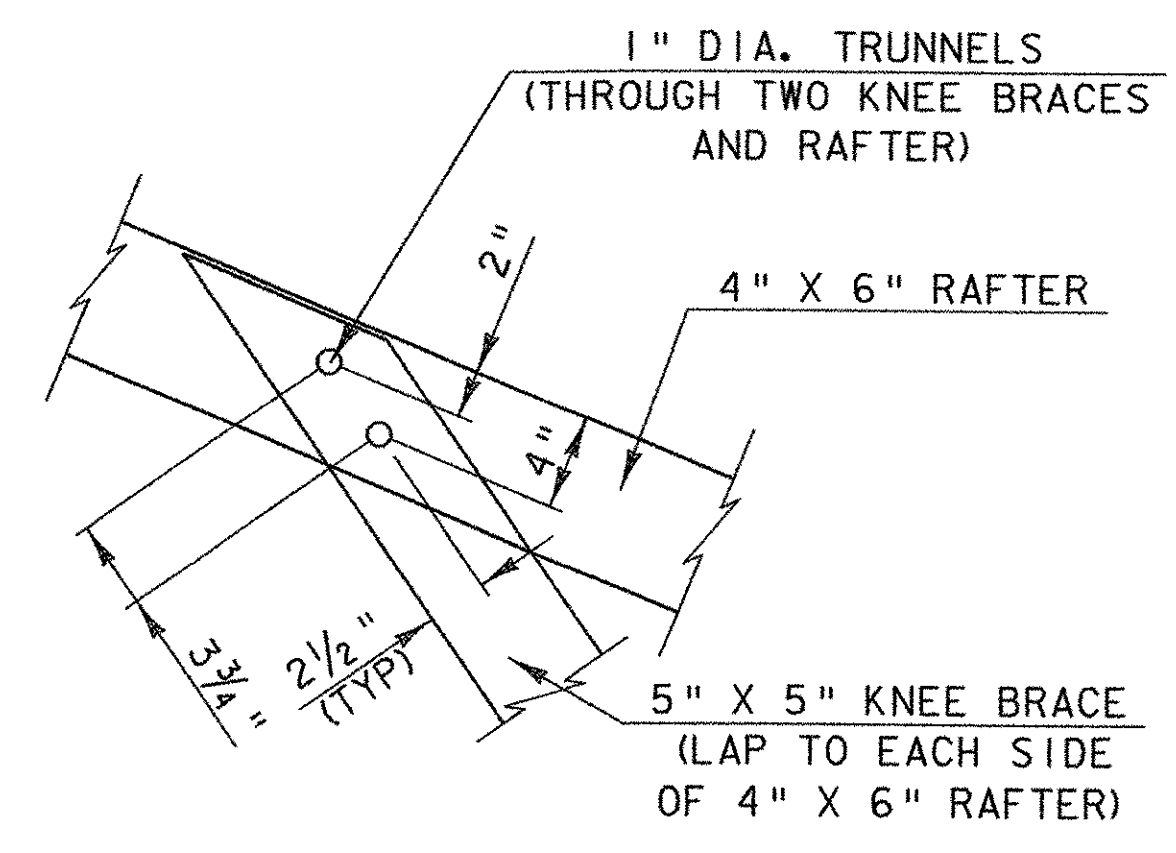
SCALE  $\frac{1}{2}$ " = 1'-0"

NOTCH NEW 5" X 5" KNEE BRACES AS REQUIRED TO FIT EXISTING OR NEW TOP CHORD. CHORD MEMBERS SHALL NOT BE NOTCHED IN ADDITION TO EXISTING CONDITION. POSITION LAG SCREWS TO MISS TRUNNELS



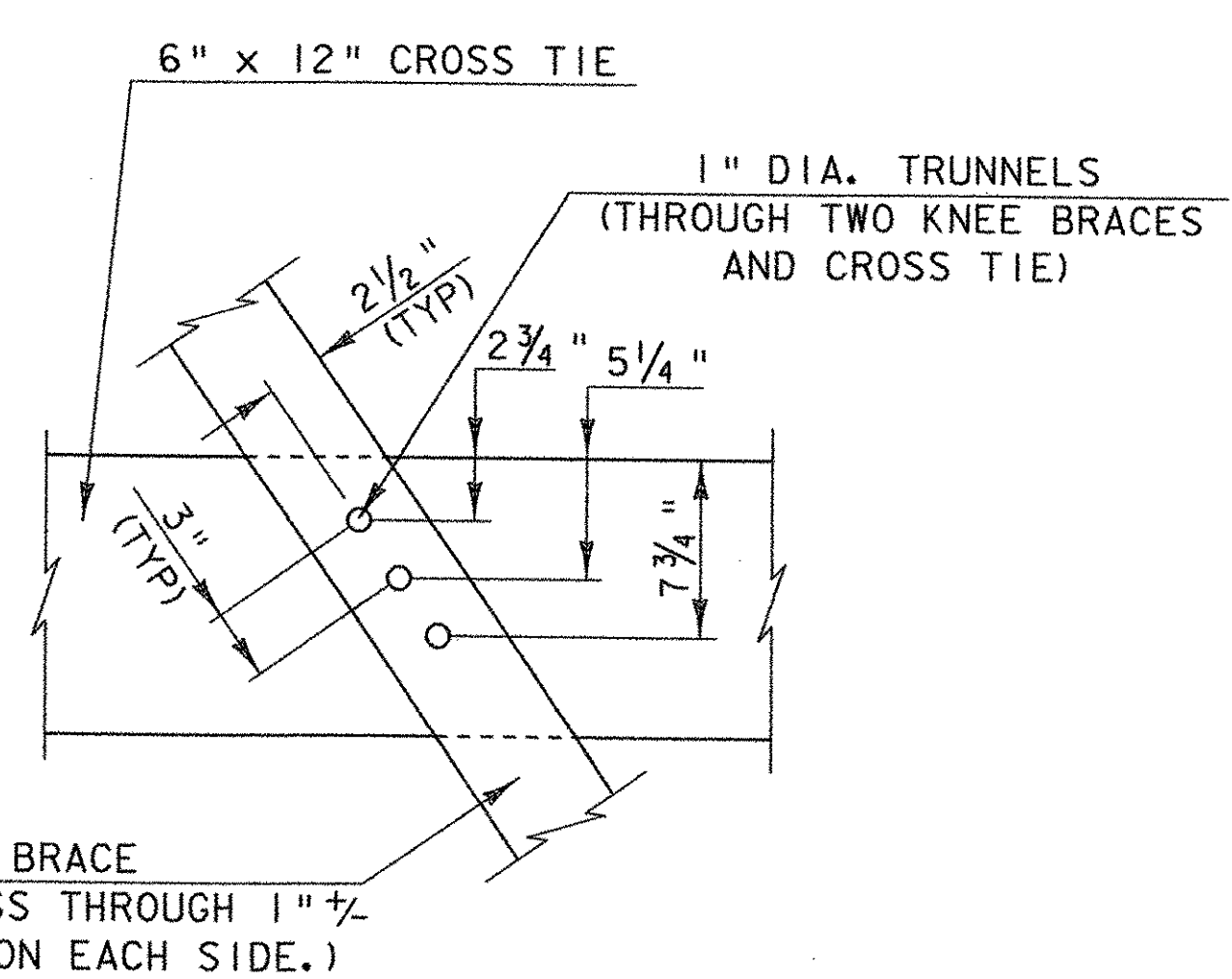
**DETAIL C**

SCALE 1" = 1'-0"



**DETAIL A**

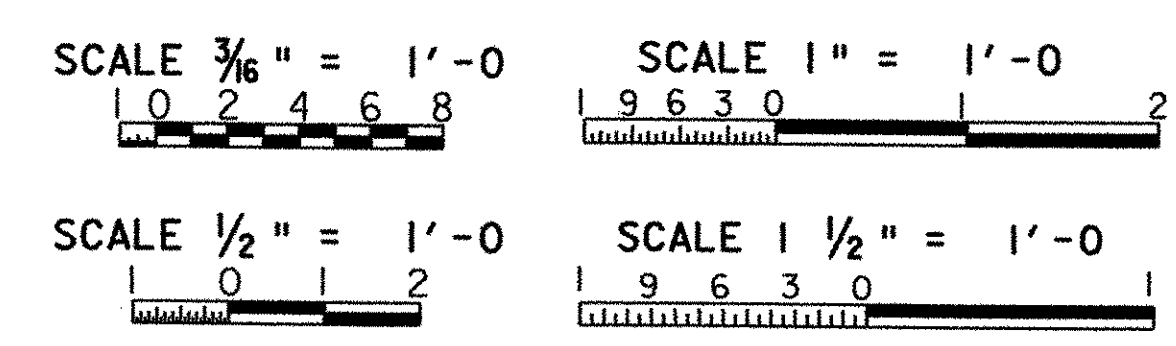
SCALE  $\frac{1}{2}$ " = 1'-0"



**DETAIL B**

SCALE  $\frac{1}{2}$ " = 1'-0"

**ADDENDUM #1**



PROJECT:	PROJECT NO.:
PROCTOR - PITTSFORD	BHO 1443 (37)
DESIGN FILE NAME: 96j242\structures\sj242eroof.dgn	PLOT DATE: 03-FEB-2003
IPARM FILE NAME: sj242eroof.i	DRAWN BY: R. S. YOUNG
DESIGNED BY: W. B. SYMONDS	CHECKED BY: W. B. SYMONDS
SQUAD LEADER: C. P. WILLIAMS	SHEET: 26 OF 60
ROOF SYSTEM FRAMING PLAN	