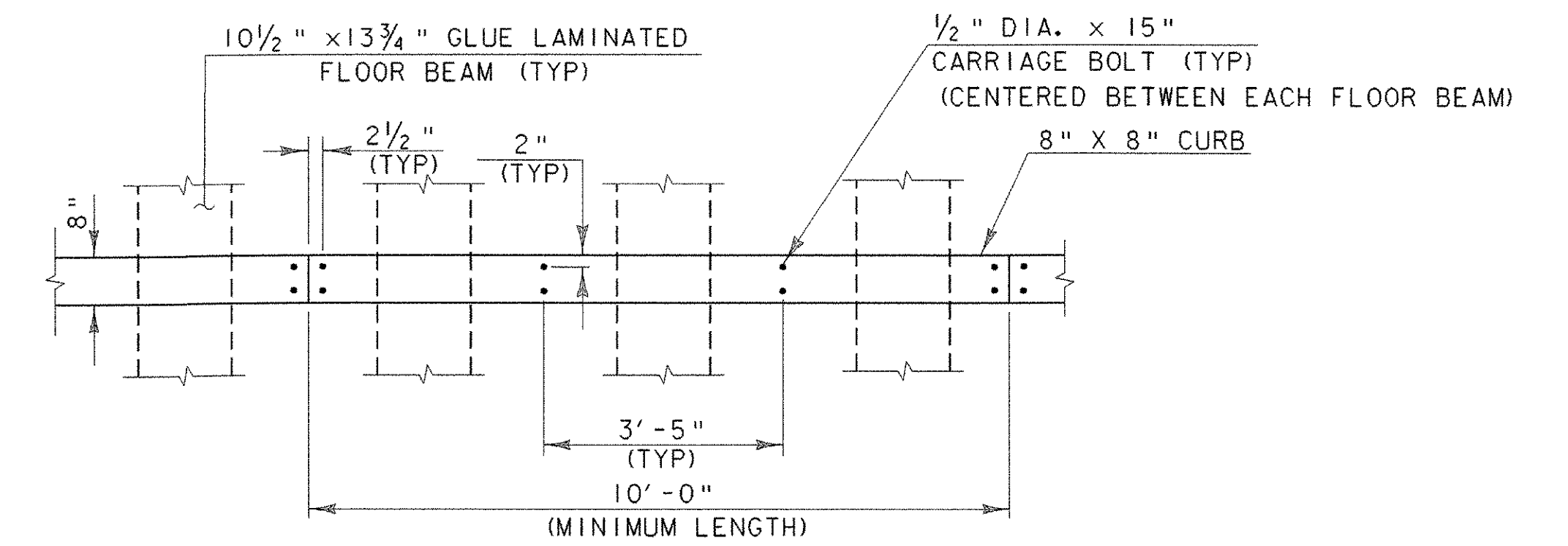


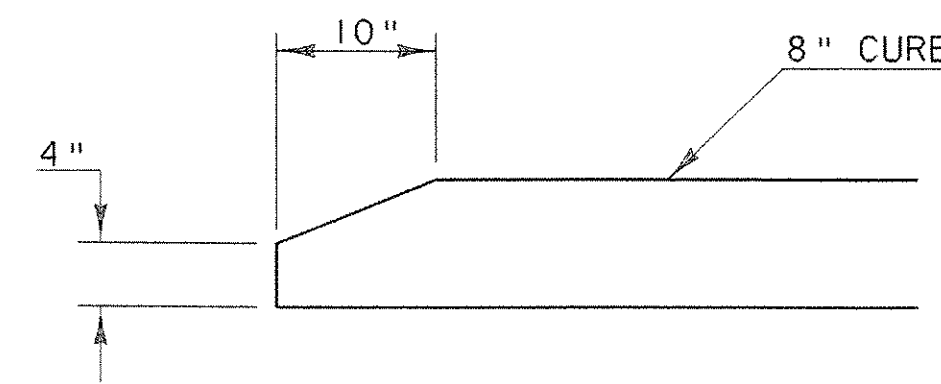
DECK AND CURB NOTES

- 1) THE TIMBER FOR THE NAILED-LAMINATED DECK SHALL BE DRESSED SOUTHERN YELLOW PINE THE PLANKS SHALL BE NO. 1 (OR BETTER) GRADE. THE DECK PLANKS SHALL BE 2" X 6" NOMINAL SIZE. THE DECK PLANKS SHALL BE PRESSURE TREATED WITH A TYPE IV (CHROMATED COPPER ARSENATE) OR TYPE V (ALKALINE COPPER QUAT) PRESERVATIVE PER SECTION 726 OF THE SPECIAL PROVISIONS.
- 2) THE TIMBER FOR THE CURB SHALL BE 8" X 8" ROUGH LUMBER, FULL SAWN SOUTHERN YELLOW PINE NO. 1 (OR BETTER) GRADE STRUCTURAL LUMBER. THE TIMBER SHALL BE PRESSURE TREATED WITH A TYPE IV (CHROMATED COPPER ARSENATE) OR TYPE V (ALKALINE COPPER QUAT) PRESERVATIVE PER SECTION 726 OF THE SPECIAL PROVISIONS.
- 3) THE LAMINATIONS OF THE DECK SHALL RUN STRAIGHT WITH NO BENDS OR DEVIATIONS.
- 4) LUMBER FOR THE DECK AND CURBS SHALL BE PAID UNDER THE ITEM 522.25 "STRUCTURAL LUMBER AND TIMBER - TREATED".
- 5) THE WOODEN HOLE PLUGS FOR THE DECK SHALL BE CUT FROM THE DECKING MATERIAL. THEY SHALL BE SNUG FIT AND GLUED IN PLACE WITH POLYURETHANE WOOD GLUE. THE WOODEN PLUGS SHALL BE SUBSIDIARY TO THE ITEM 522.25 "STRUCTURAL LUMBER AND TIMBER - TREATED".
- 6) THE CURBS SHALL BE LAID OUT TO MINIMIZE THE END CUTS TO PRESERVE THE PRESSURE TREATMENT ENVELOPE. ANY END CUTS OF THE CURBS SHALL BE TREATED WITH TWO APPLICATIONS OF A COPPER NAPHTHINATE SOLUTION.



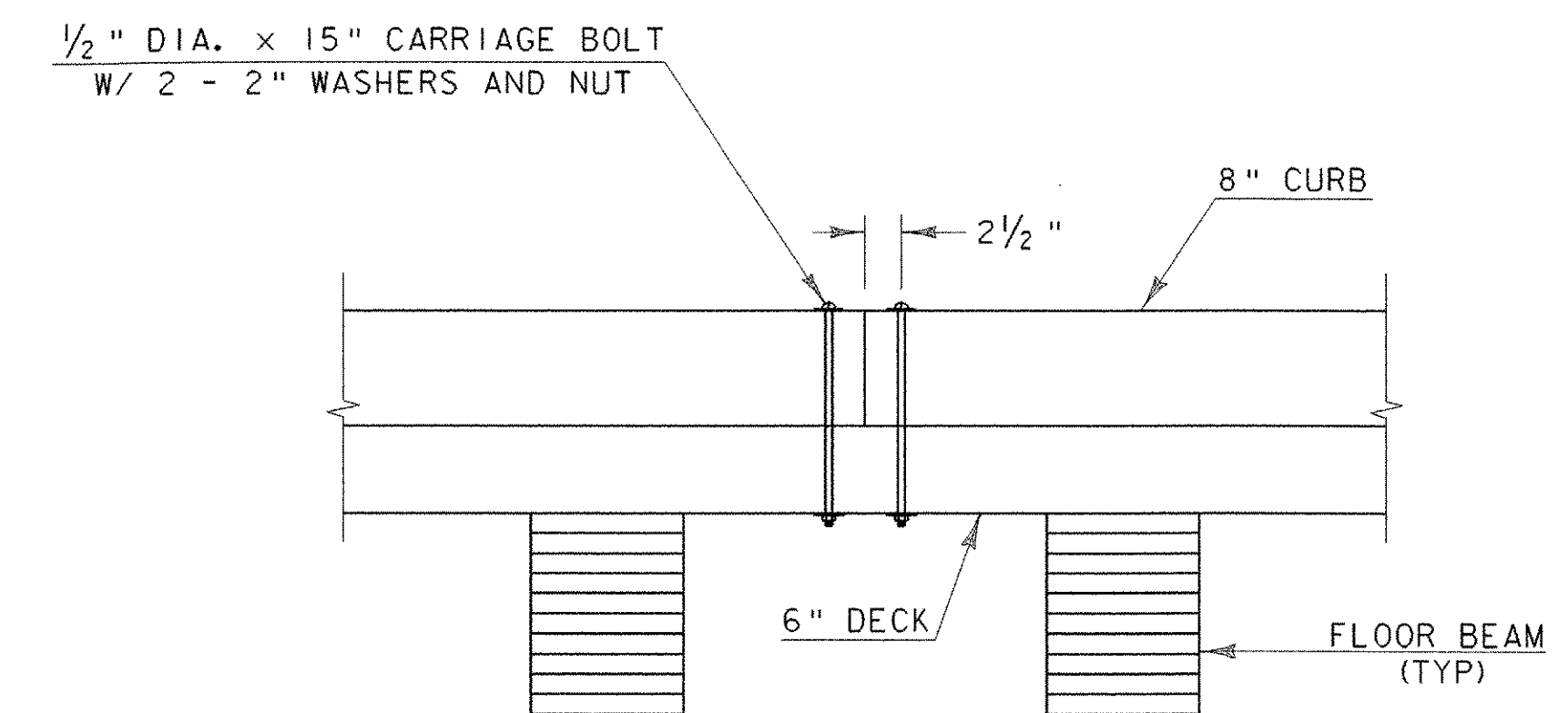
CURB SPLICE PLAN DETAIL

SCALE 1/2" = 1'-0



CURB END TAPER DETAIL

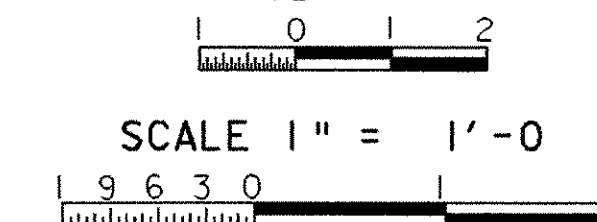
SCALE 1" = 1'-0



CURB SPLICE

SCALE 1" = 1'-0

SCALE 1/2" = 1'-0



PROJECT:	PROJECT NO.:
PROCTOR - PITTSFORD	BHO 1443
DESIGN FILE NAME: 96j242\structures\sj242eframep1.dgn	PLOT DATE: 10-JAN-
IPARM FILE NAME: sj242emfd.i	DESIGNED BY: W. SYMONDS
SQUAD LEADER: C.P. WILLIAMS	DRAWN BY: N.J. WAF
MISCELLANEOUS FLOOR SYSTEM DETAILS SHEET: 25 OF 60	CHECKED BY: W.B. SY