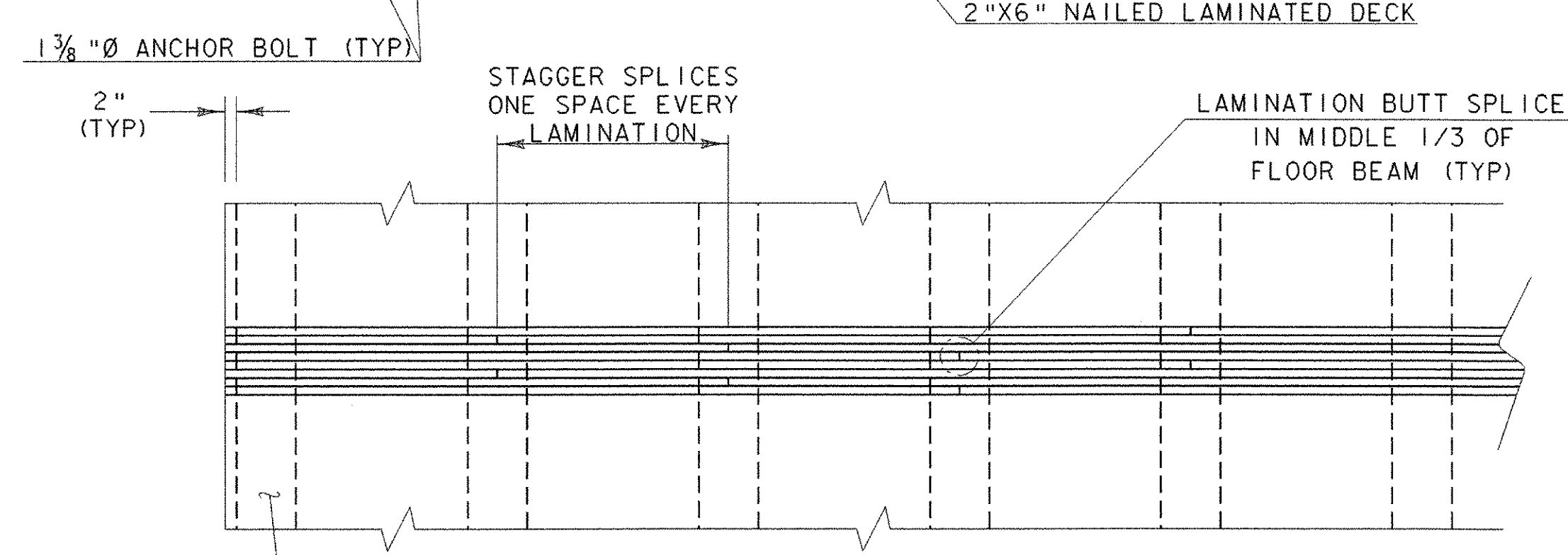


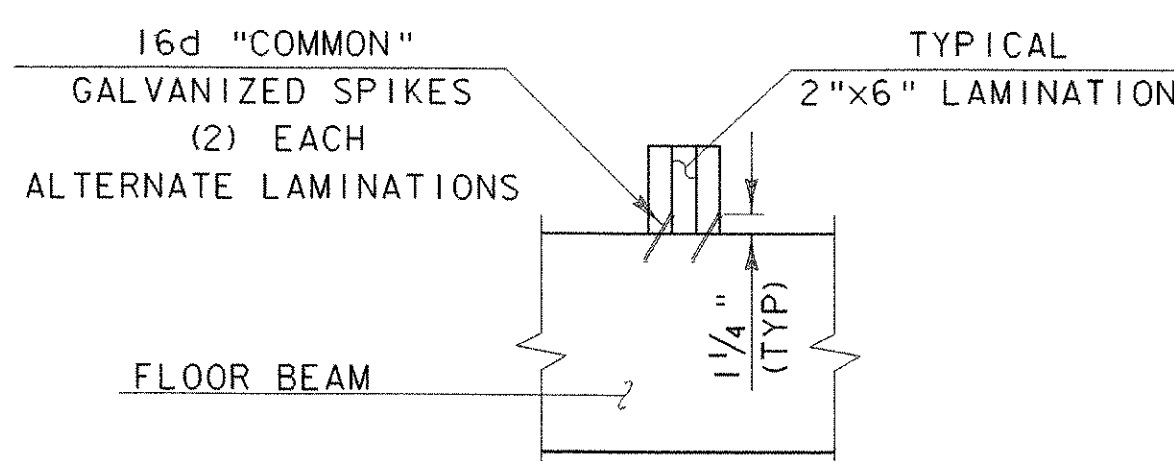
**DECK PLAN VIEW**

SCALE 1/4" = 1'-0"



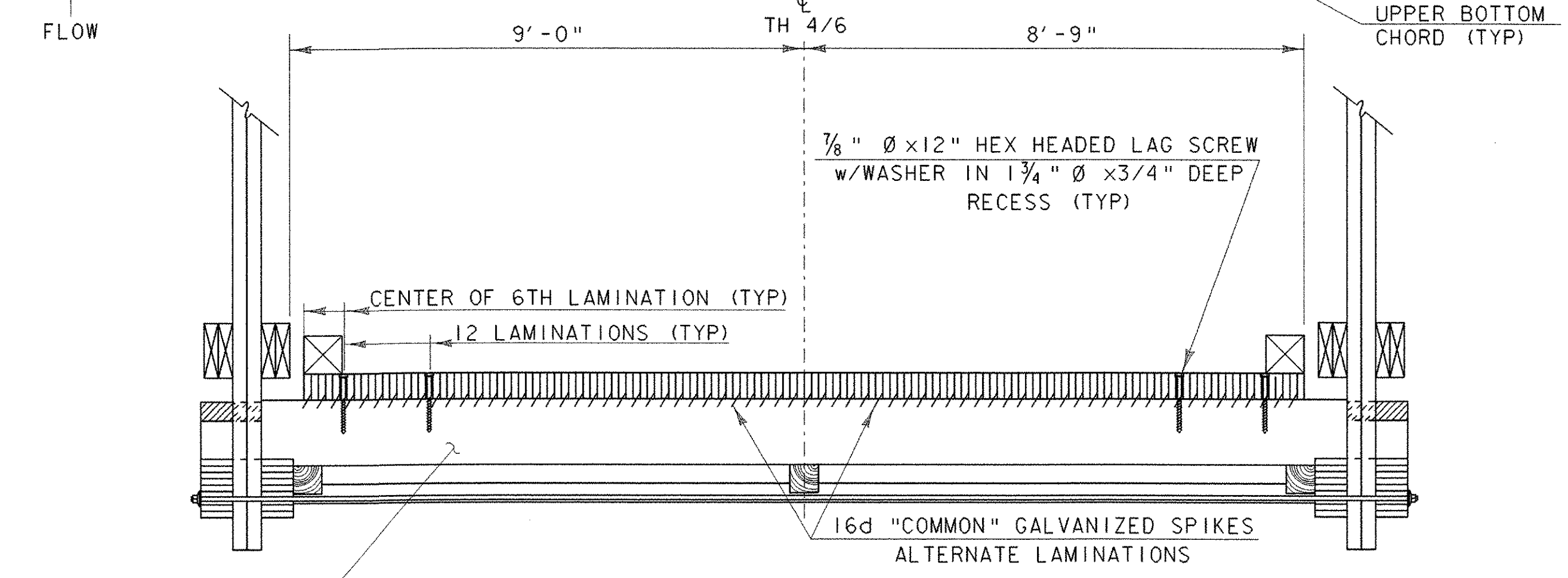
**DECK SPLICES**

SCALE 1/2" = 1'-0"



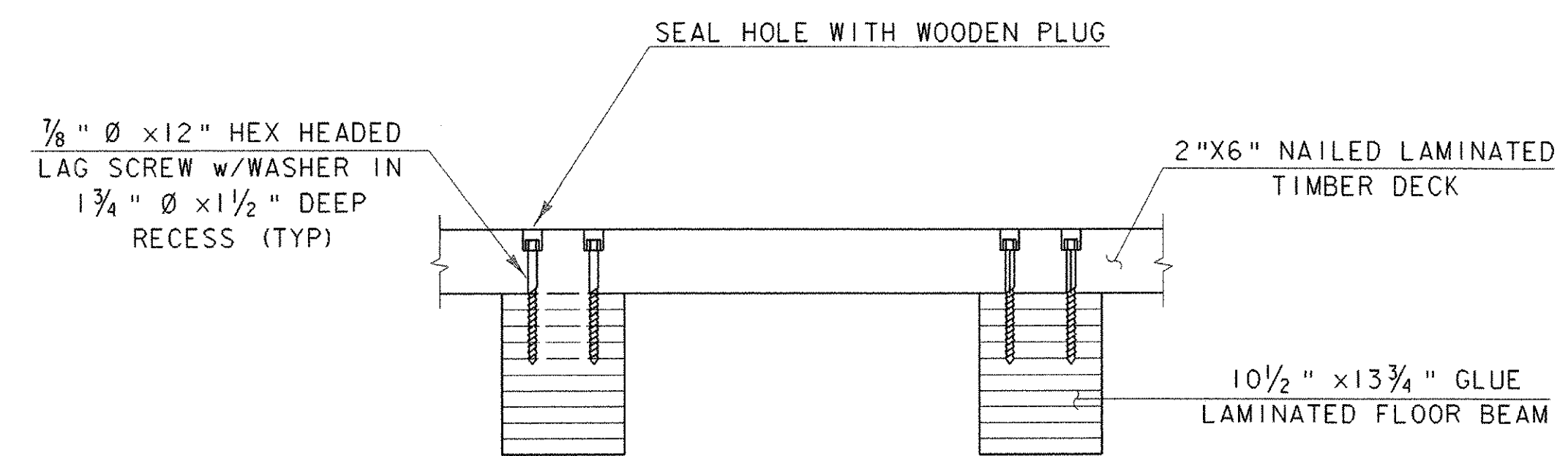
**TOE-NAIL CONNECTION**

SCALE 1" = 1'-0"



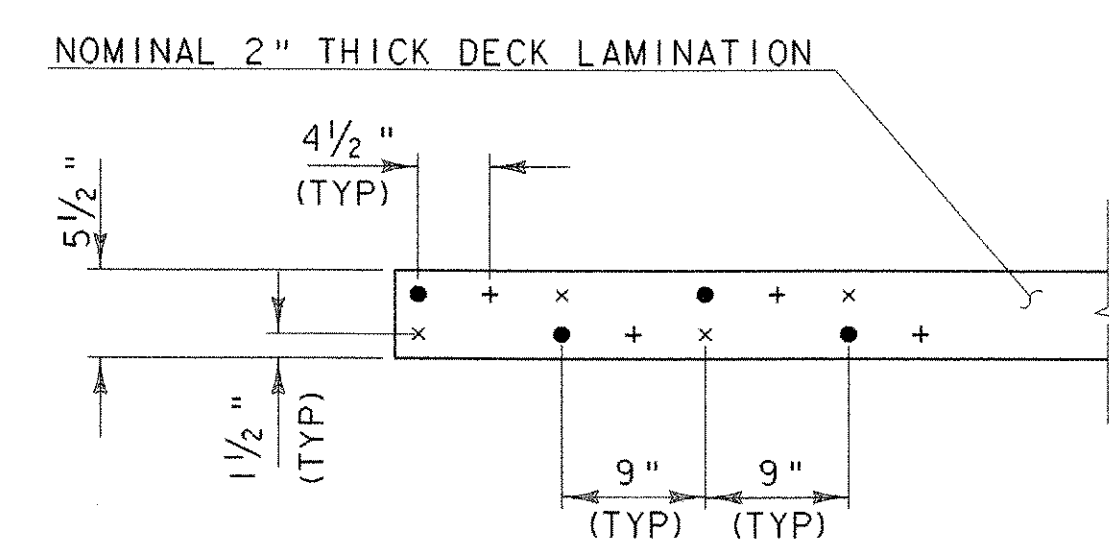
**DECK TYPICAL SECTION**

SCALE 1/2" = 1'-0"



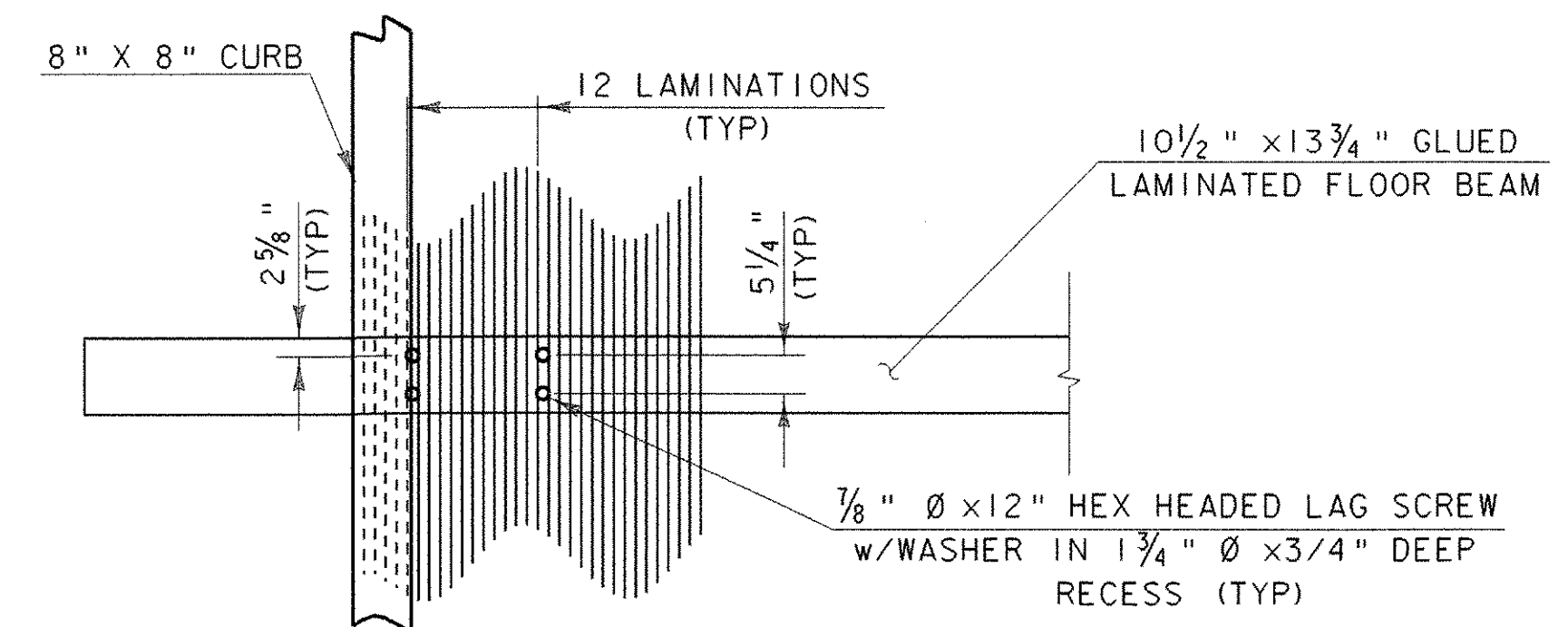
**SECTION A-A**  
(THIS SHEET)

SCALE 1" = 1'-0"



**NAILING PATTERN**  
FOR NAILED LAMINATED DECK

SCALE 1" = 1'-0"



**LAG BOLT LOCATION DETAIL**

SCALE 1/2" = 1'-0"

- NOTES**
1. NAILS SHALL BE GALVANIZED
  2. NAIL LAMINATIONS TO AVOID NAILING IN LAG SCREW LOCATIONS
  3. PILOT HOLE FOR THREADED PORTION SHALL BE 5/16" Ø
  4. PILOT HOLE FOR UNTHREADED SHANK SHALL EQUAL THE SHANK DIAMETER

SCALE 1/2" = 1'-0"  
SCALE 1" = 1'-0"

PROJECT: <b>PROCTOR - PITTSFORD</b>	PROJECT NO.: <b>BHO 1443 (37)</b>
DESIGN FILE NAME: sj242\structures\sj242eframep1.dgn	PLOT DATE: 10-JAN-2003
IPARM FILE NAME: sj242edfp.i	DESIGNED BY: W. SYMONDS
SQUAD LEADER: C.P. WILLIAMS	CHECKED BY: W.B. SYMONDS
DECK FRAMING PLAN	SHEET: 24 OF 60