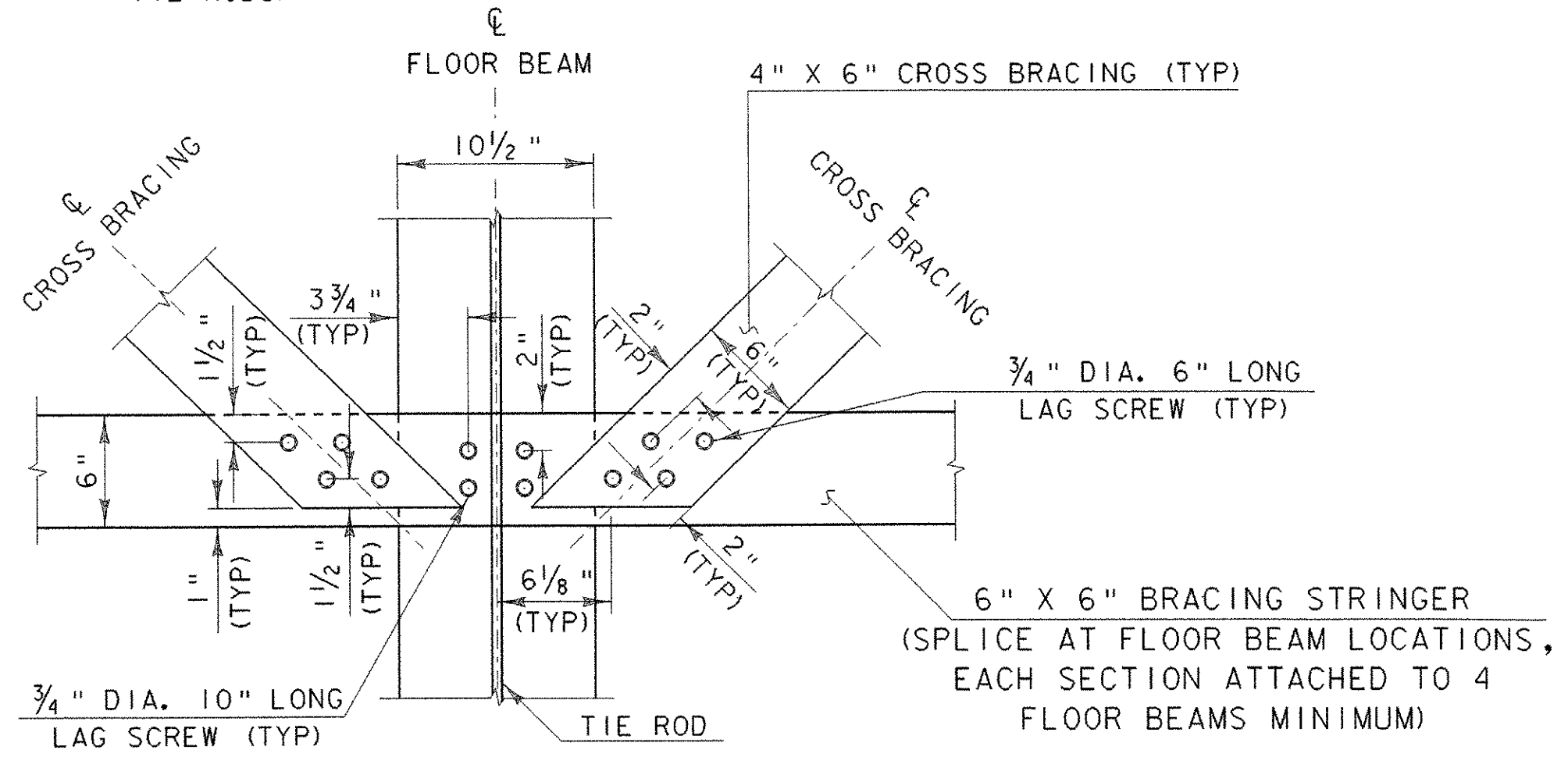


FLOOR FRAMING PLAN

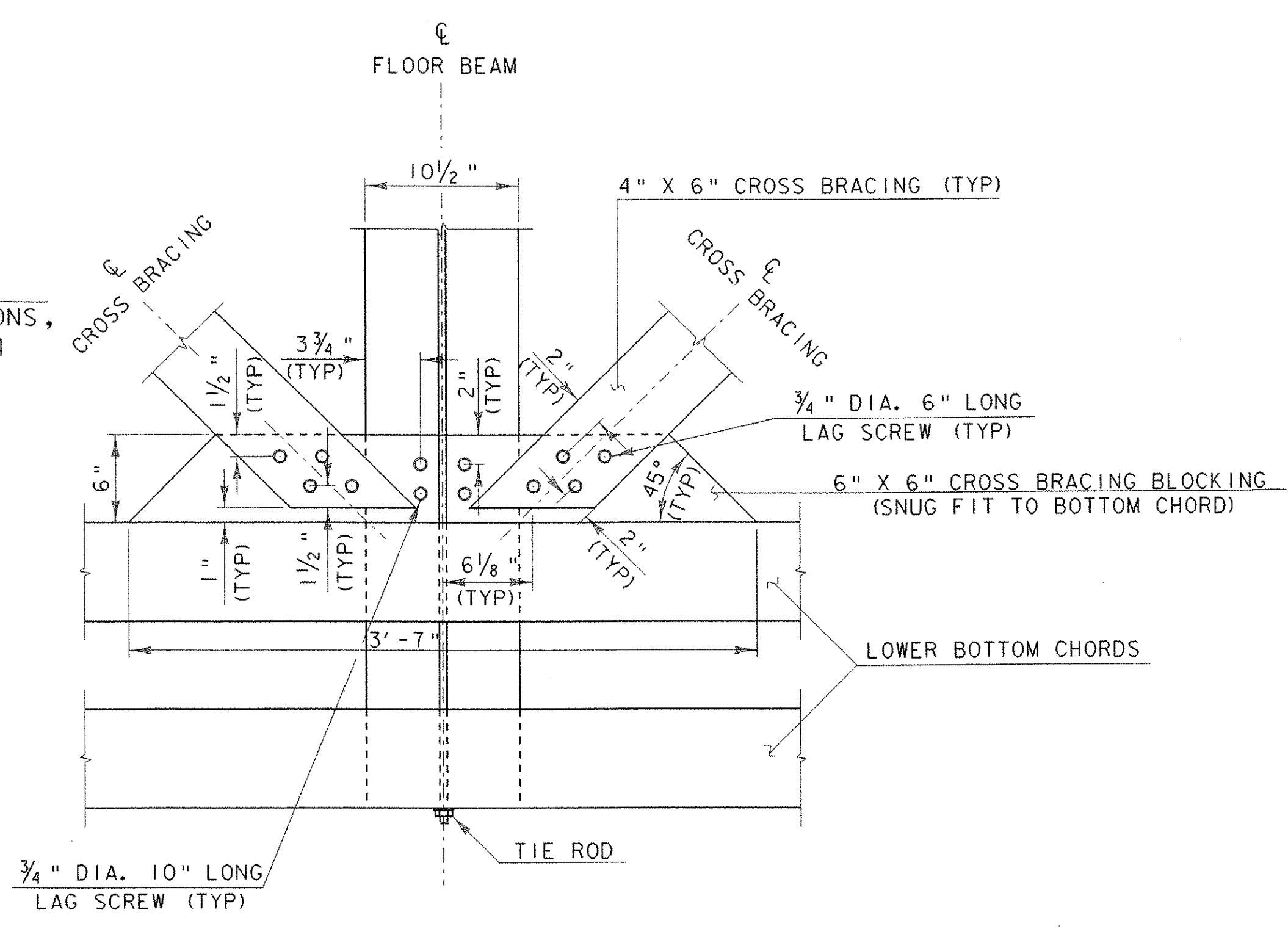
SCALE 1/4" = 1'-0"



DETAIL B

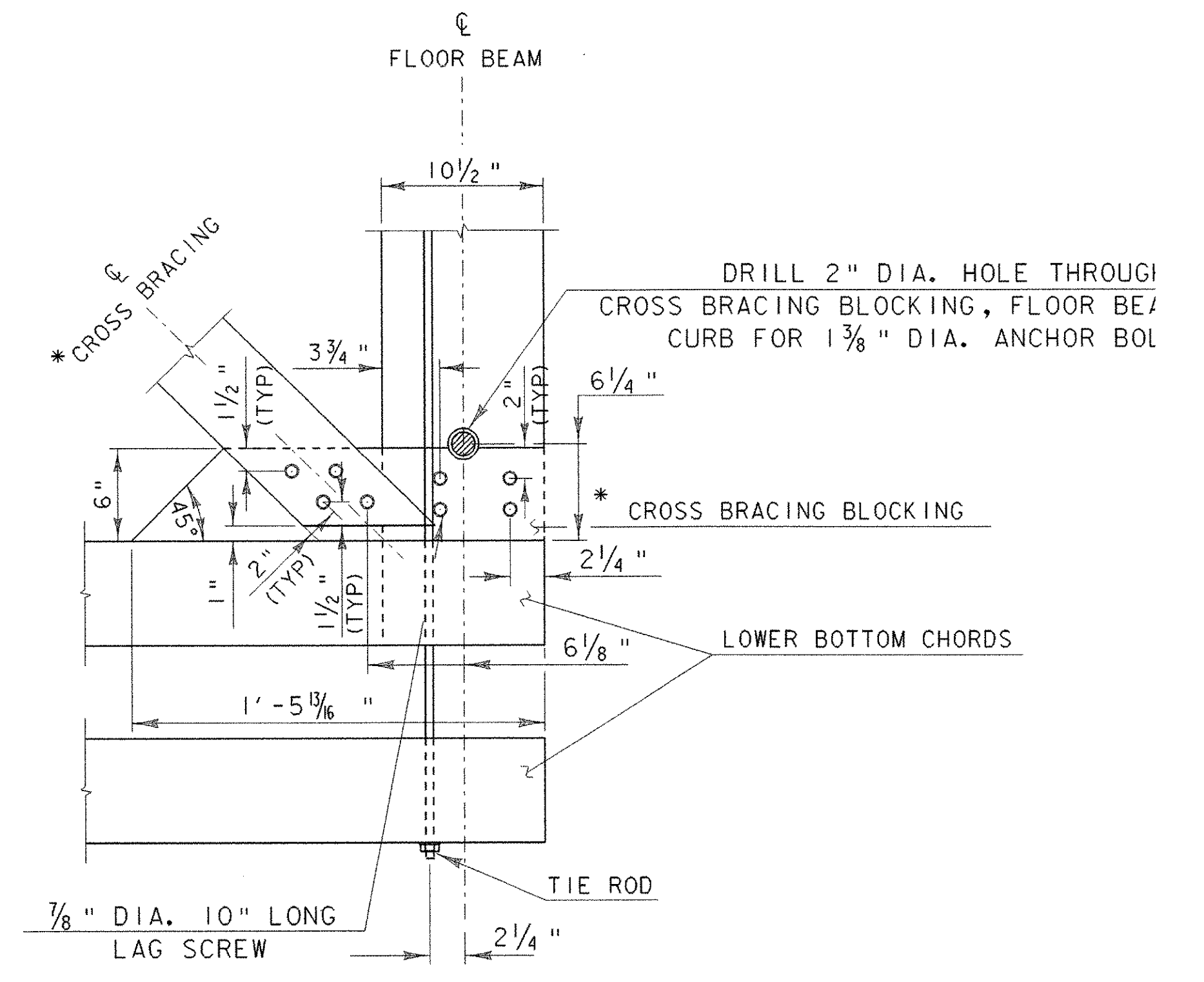
(VIEW FROM UNDER BRIDGE)
SCALE 1 1/2" = 1'-0"

NOTE: THE LAG SCREW PATTERN AND NOTCHING REQUIREMENTS ARE THE SAME AT ALL FLOORBEAMS.



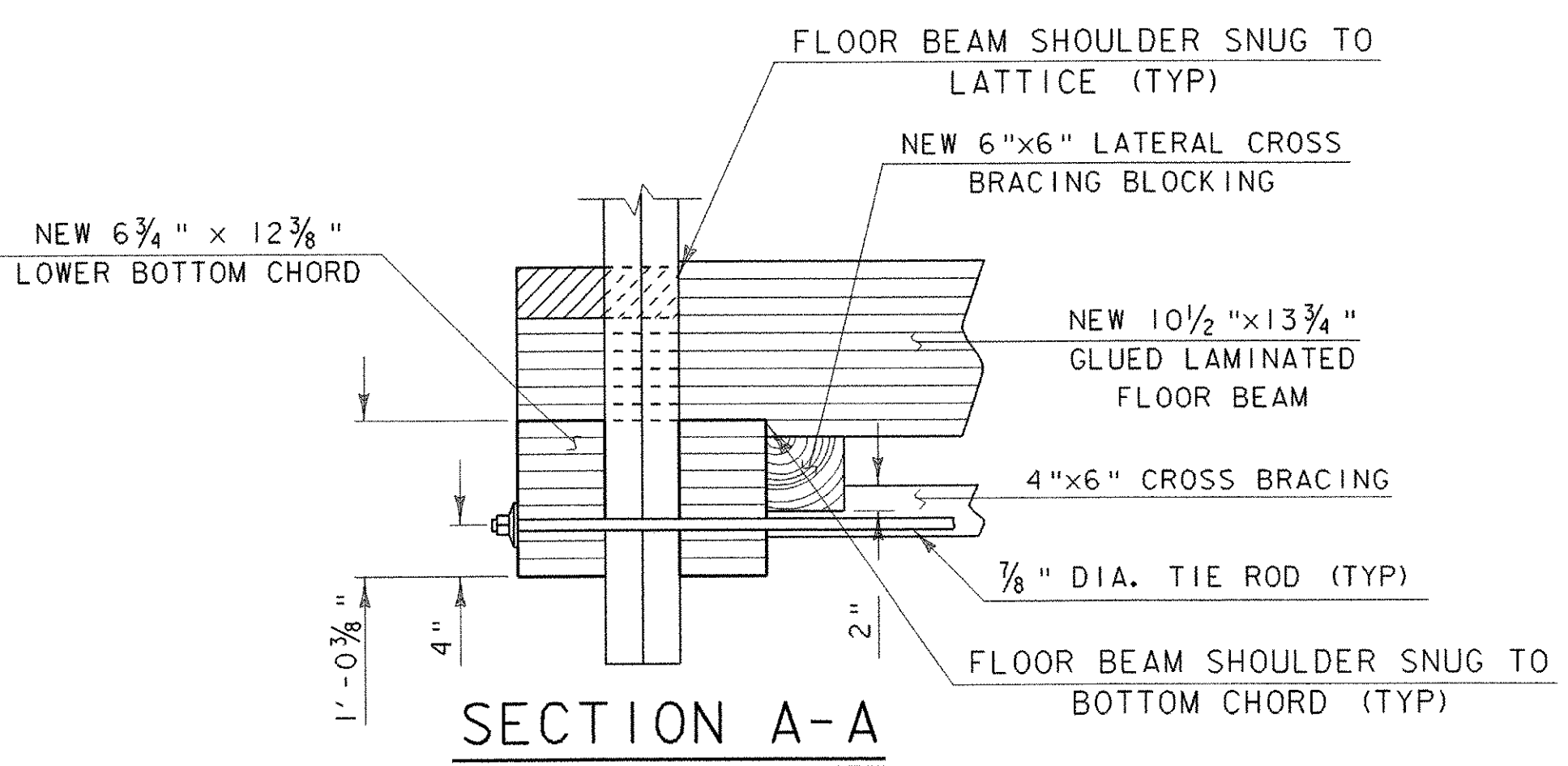
DETAIL A

(VIEW FROM UNDER BRIDGE)
SCALE 1 1/2" = 1'-0"



END OF BRIDGE CORNER DETAIL

(VIEW FROM UNDER BRIDGE)
SCALE 1 1/2" = 1'-0"



SECTION A-A

SCALE 1" = 1'-0"

SCALE 1" = 1'-0"

SCALE 1 1/2" = 1'-0"

* OMIT CROSS BRACING AND CROSS BRACING BLOCKING WHERE APPROP

PROJECT: PROCTOR - PITTSFORD	PROJECT NO. # BHO 1443
DESIGN FILE NAME: 96j242\structures\s\j242eframep1.dgr	PLOT DATE: 10-JAN-
IPARM FILE NAME: sj242effp.i	DRAWN BY: N. J. WAF
DESIGNED BY: W. SYMONDS	CHECKED BY: W. B. SY
SQUAD LEADER: C. P. WILLIAMS	SHEET: 22 OF 60
FLOOR FRAMING PLAN	