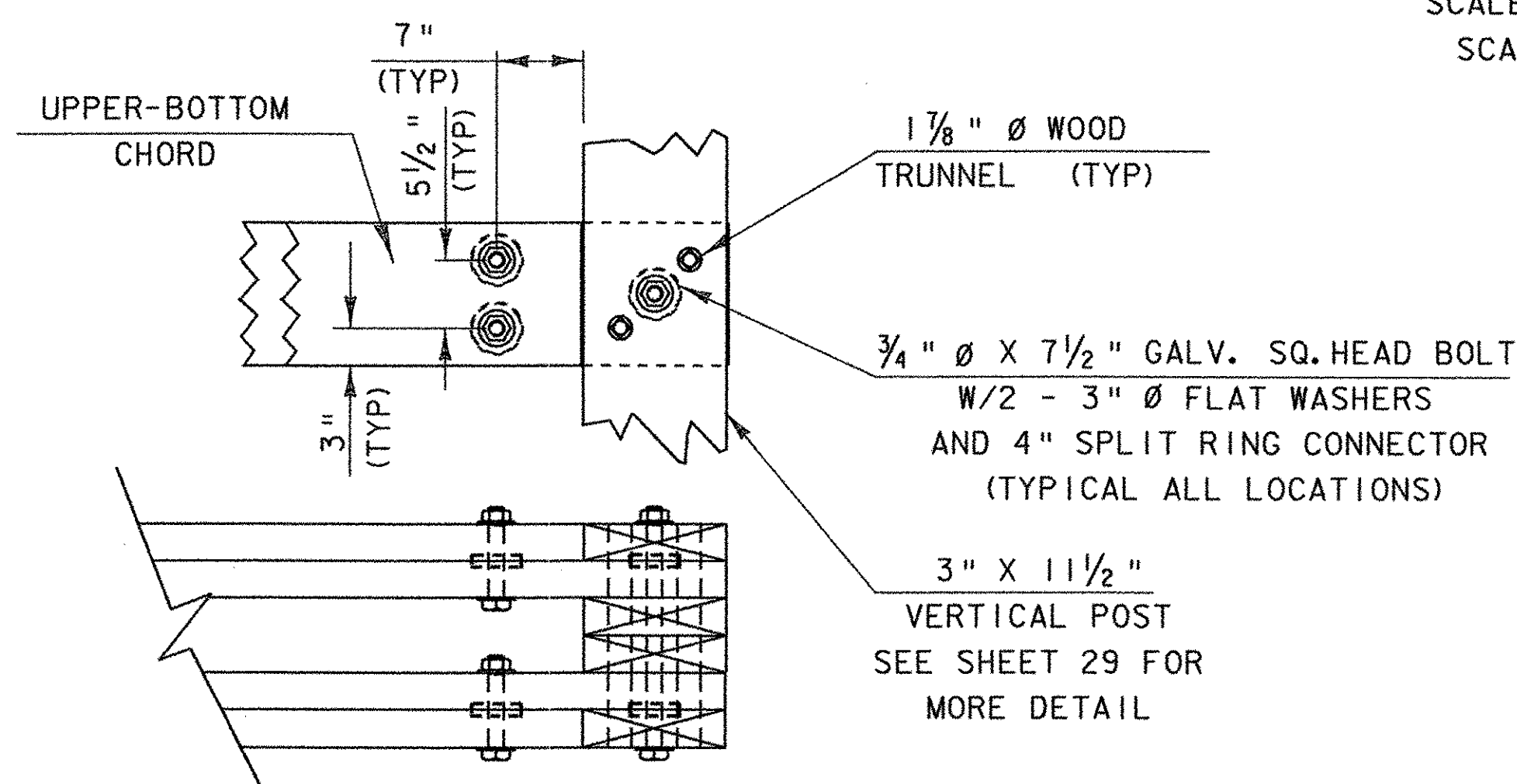


UPPER BOTTOM CHORD SPLICE LOCATIONS
(PLAN VIEW)

(TYPICAL BOTH SIDES OF THE BRIDGE)
SCALE: $\frac{3}{16}$ " = 1'-0" (HORIZONTAL)
SCALE: 1" = 1'-0" (VERTICAL)

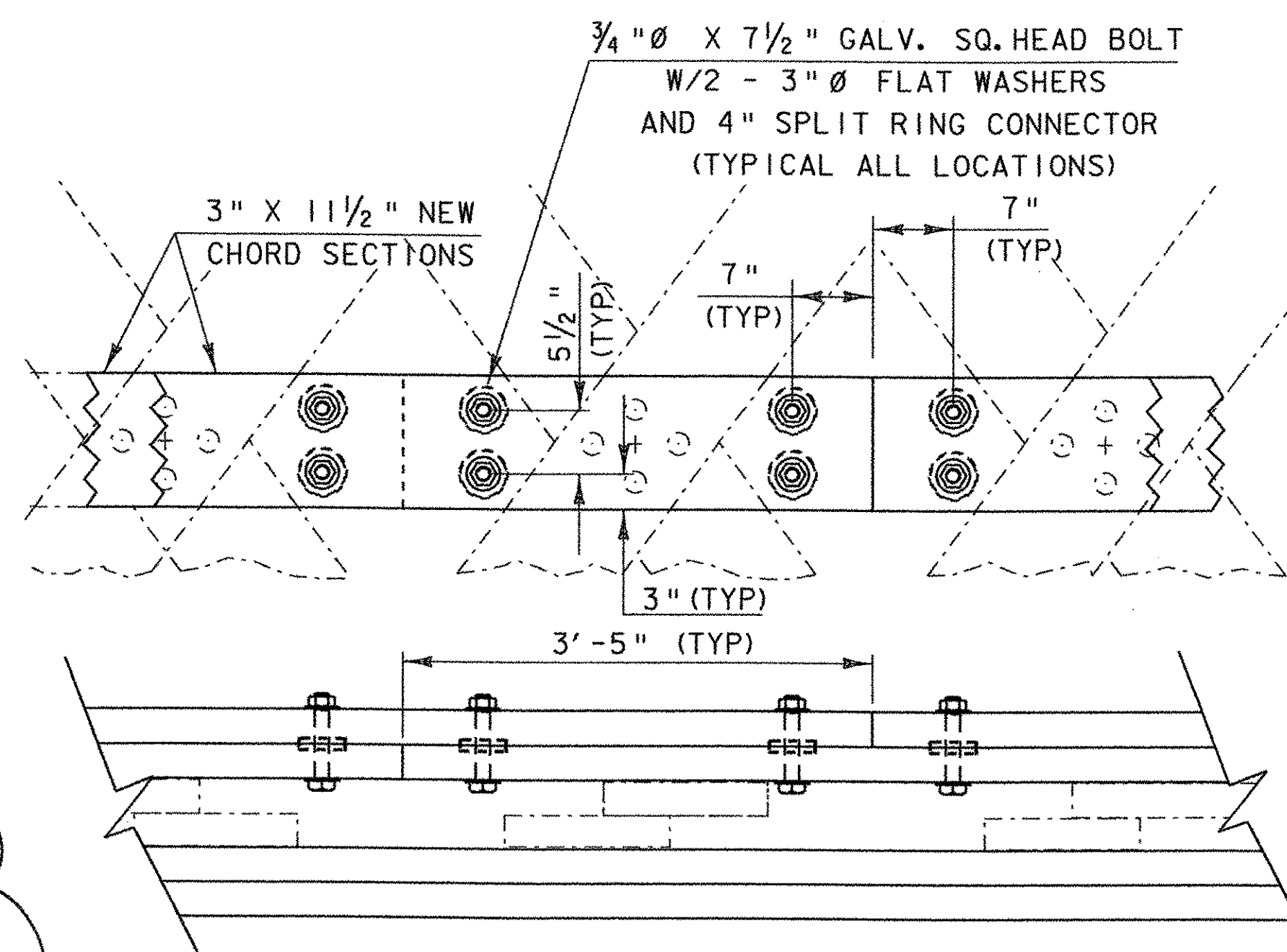
LEGEND

①	3" X 11 1/2" X 20'-6 3/4" (4 REQD.)
②	3" X 11 1/2" X 23'-10" (16 REQD.)
③	3" X 11 1/2" X 34'-1" (8 REQD.)
④	3" X 11 1/2" X 10'-3 1/4" (4 REQD.)
⑤	3" X 11 1/2" X 18'-1 1/4" (4 REQD.)
⑥	3" X 11 1/2" X 14'-7 3/4" (4 REQD.)



END SPLICE CONNECTION DETAIL

SCALE: 1" = 1'-0"



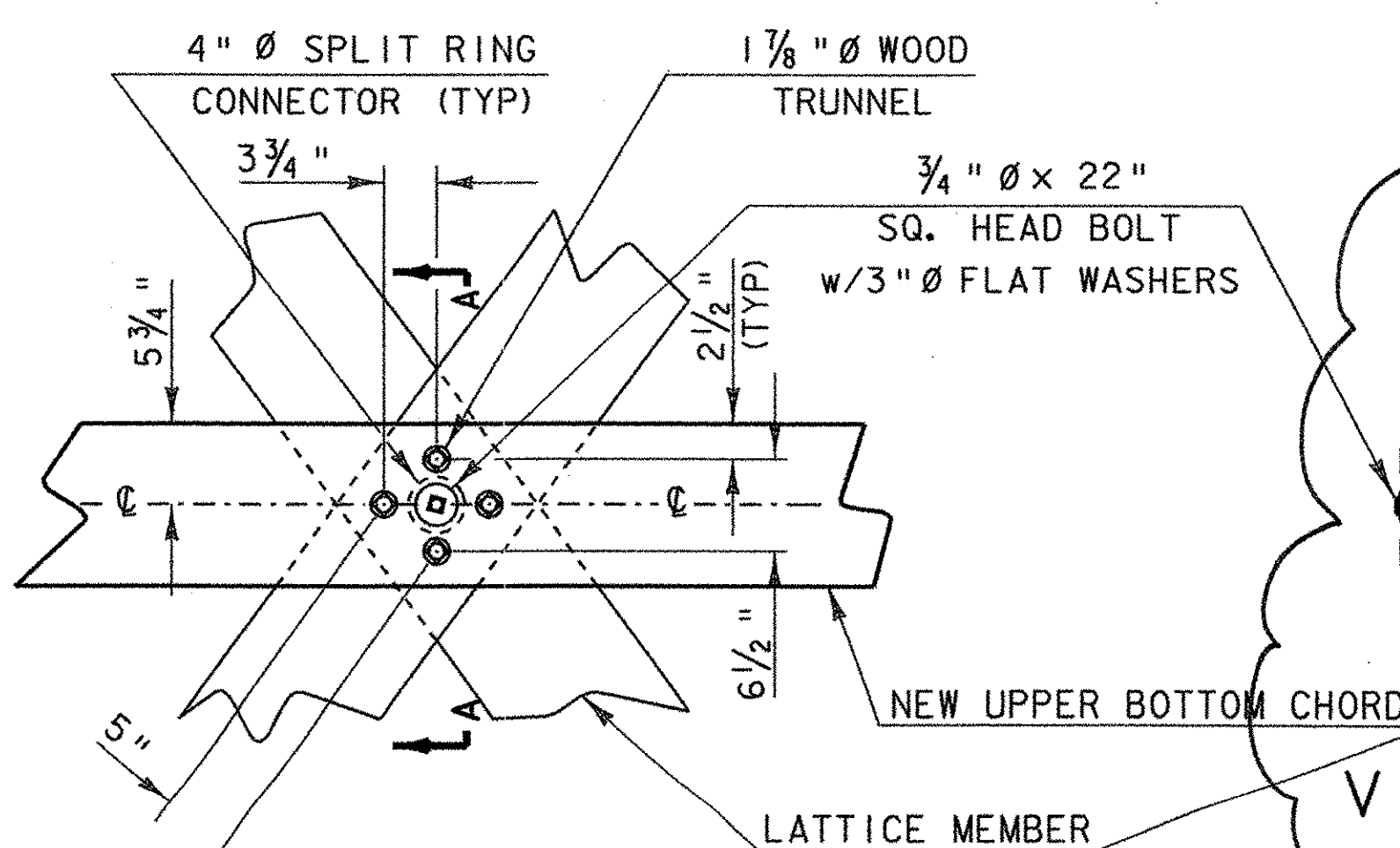
MIDSPAN CHORD SPLICE DETAIL

SCALE: 1" = 1'-0"

UPPER BOTTOM CHORD NOTES

1. THE ENTIRE EXISTING UPPER BOTTOM CHORD ON BOTH TRUSSES SHALL BE REPLACED. THE CHORDS SHALL BE REPLACED WITH 3" X 11 1/2" ROUGH LUMBER, SAWN TO FULL DIMENSIONS INDICATED. CHORD MEMBERS SHALL BE SOUTHERN YELLOW PINE NO. 1 (OR BETTER) GRADE STRUCTURAL LUMBER.
2. THE TIMBER FOR THE UPPER BOTTOM CHORD SHALL BE PRESSURE TREATED WITH A TYPE III (PENATCHLOROPHENOL w/ LIGHT OIL) PRESERVATIVE PER SECTION 726 OF THE SPECIAL PROVISIONS.
3. THE TYPICAL UPPER BOTTOM CHORD IS CONNECTED WITH (4) 1 7/8" Ø TRUNNELS AND ONE 3/4" Ø BOLT WITH 4" Ø SPLIT RING CONNECTORS. CONNECTIONS WITH THE NEW CHORD SHALL BE CONSISTENT WITH THE EXISTING CONFIGURATION.
4. THE LENGTH OF INDIVIDUAL PIECES OF THE UPPER BOTTOM CHORD SHALL BE AS DETAILED ON THIS SHEET. NO DEVIATION WILL BE ALLOWED WITHOUT WRITTEN PERMISSION FROM THE PROJECT MANAGER, EXCEPT MINOR ADJUSTMENTS AS NOTED ABOVE.
5. TIMBER FOR THE NEW UPPER BOTTOM CHORD SHALL BE PAID UNDER THE ITEM 522.25 "STRUCTURAL LUMBER AND TIMBER - TREATED"
6. THE INTENT OF THE DESIGN IS FOR ALL OF THE SPLICE LOCATIONS TO BE LOCATED APPROXIMATELY IN THE CENTER OF THE LATTICE OPENING. THE CONTRACTOR SHALL VERIFY THESE DIMENSIONS AND MAY ALTER THEM SLIGHTLY TO ACHIEVE THE REQUIRED CLEARANCES.

ADDENDUM #1



TYPICAL LATTICE CONNECTION
(UPPER BOTTOM CHORD -- 4 TRUNNEL CONNECTION W/BOLT)

SCALE: 1" = 1'-0"

VIEW A-A

4" Ø SPLIT RING CONNECTOR AT EACH INTERFACE, IF EXISTING LATTICE MEMBERS ARE NOT DISTURBED BECAUSE THEY DO NOT REQUIRE REPAIR OMIT THE CENTER CONNECTOR AT THAT LOCATION

SCALE 1" = 1'-0"
1 9 6 3 0 1 2

PROJECT: PROCTOR - PITTSFORD	PROJECT NO. #: BHO 1443 (37)
DESIGN FILE NAME: 96j242\Structures\sj242etrussdet.dgn	PLOT DATE: 03-FEB-2003
IPARM FILE NAME: sj242ecorde1.i	DRAWN BY: T. ANDERSON
DESIGNED BY: W.B. SYMONDS	CHECKED BY: W.B. SYMONDS
SQUAD LEADER: C.P. WILLIAMS	UPPER BOTTOM CHORD SHEET
	SHEET: 20 OF 60