

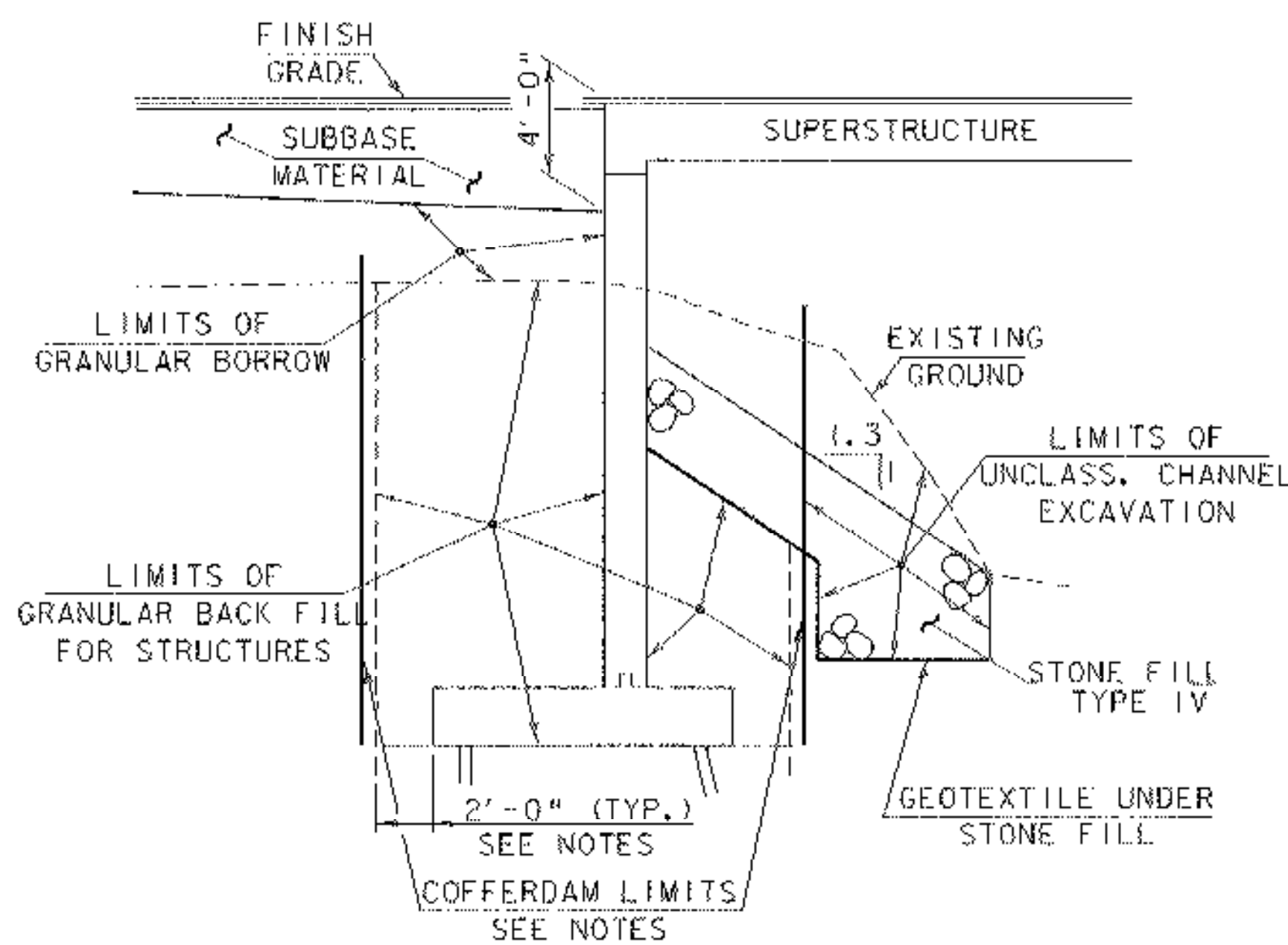
* 1 1/2" TYPE III OR IV OVER
1 1/2" TYPE III OR IV OVER
2 1/2" TYPE I OR II OVER
2 1/2" TYPE I OR II

W/ GUARDRAIL

W/O GUARDRAIL

TYPICAL ROADWAY SECTION

SCALE 1/4" = 1'-0

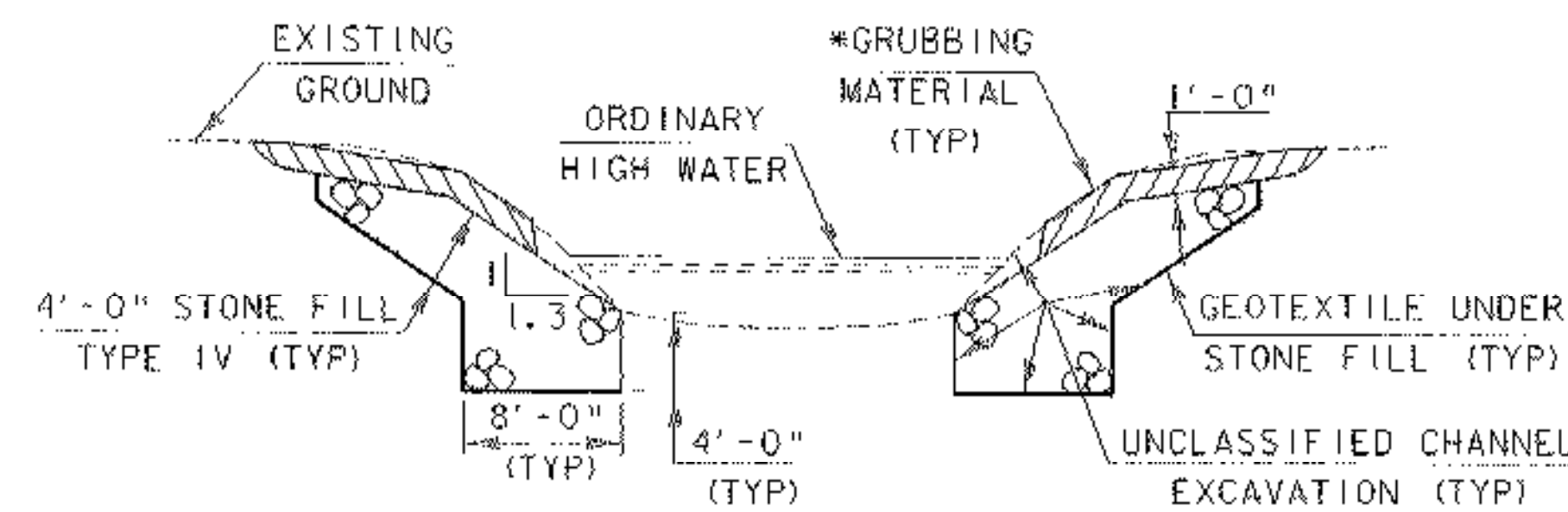


TYPICAL ABUTMENT SECTION

(NOT TO SCALE)

TYPICAL ABUTMENT SECTION NOTES

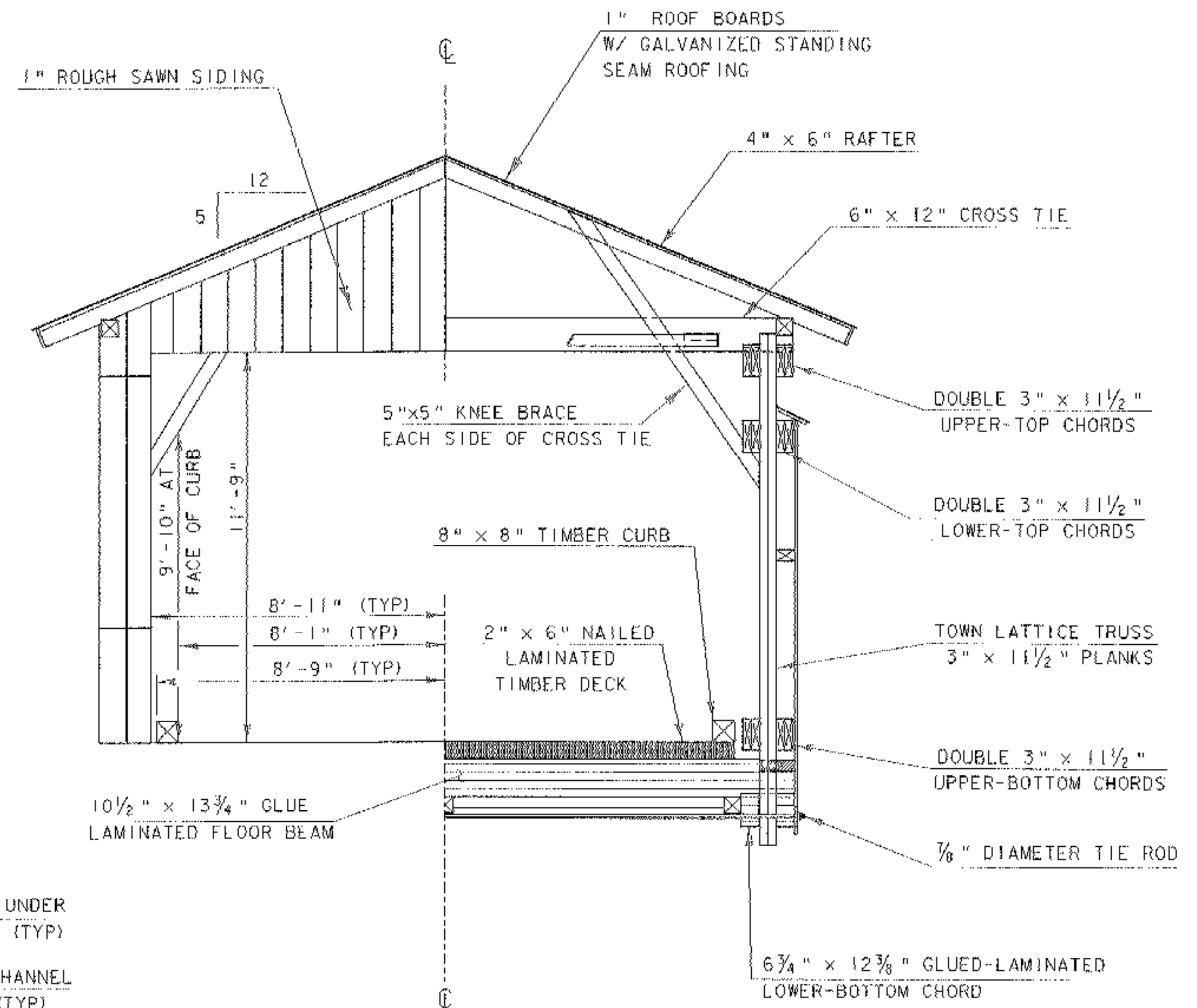
- COFFERDAM LIMITS TO BE DETERMINED BY THE CONTRACTOR.
- FOR PURPOSES OF ESTIMATING EARTHWORK QUANTITIES, THE LIMITS OF COFFERDAM HAVE BEEN ASSUMED TO BE 2'-0" OUTSIDE THE PERIMETER OF THE FOOTING.
- IF A COFFERDAM IS CONSTRUCTED WHICH IS MORE THAN THE ASSUMED 2'-0" DISTANCE OUTSIDE THE FOOTING LIMITS, PAYMENT FOR ALL UNCLASSIFIED CHANNEL EXCAVATION INCLUDING THAT PORTION WHICH IS INSIDE THE COFFERDAM BUT OUTSIDE THE MINIMUM COFFERDAM LIMITS SHOWN WILL BE MADE AT THE CONTRACT UNIT PRICE FOR UNCLASSIFIED CHANNEL EXCAVATION.
- IF A FOUNDATION SEAL IS REQUIRED AND ORDERED BY THE RESIDENT ENGINEER, THE LOWER LIMIT OF EXCAVATION SHALL BE THE TOP OF THE FOUNDATION SEAL ELEVATION. SEE SPECIAL PROVISIONS.



TYPICAL CHANNEL SECTION

(NOT TO SCALE)

* GRUBBING MATERIAL SHALL NOT BE PLACED ON THE STONE FILL IN THE AREA UNDER THE BRIDGE.



NEW TYPICAL BRIDGE SECTION

SCALE 3/8" = 1'-0

NOTE: SEE SHEET 17 FOR A MORE DETAILED PROJECT TYPICAL SECTION, WHICH SHOWS MEMBERS TO BE RETAINED AND REPLACED.

SCALE 3/8" = 1'-0
1 0 1 2 3 4

SCALE 1/4" = 1'-0
1 0 2 4 6

MATERIAL ITEM	TOLERANCE
PAVEMENT	± 1/4" TOTAL THICKNESS
SUBBASE	± 1"
SAND BORROW	± 1"

PROJECT: PROCTOR - PITTSFORD	PROJECT NO. 1: BHO 1443 (37)
DESIGN FILE NAME: 96j242\structures\sj242etyp.dgn	
IPARM FILE NAME: sj242etyp2.i	PLOT DATE: 10-JAN-2003
DESIGNED BY: W.B. SYMONDS	DRAWN BY: T. ANDERSON
SQUAD LEADER: C.P. WILLIAMS	CHECKED BY: W.B. SYMONDS
TYPICAL CROSS SECTIONS	SHEET: 3 OF 60