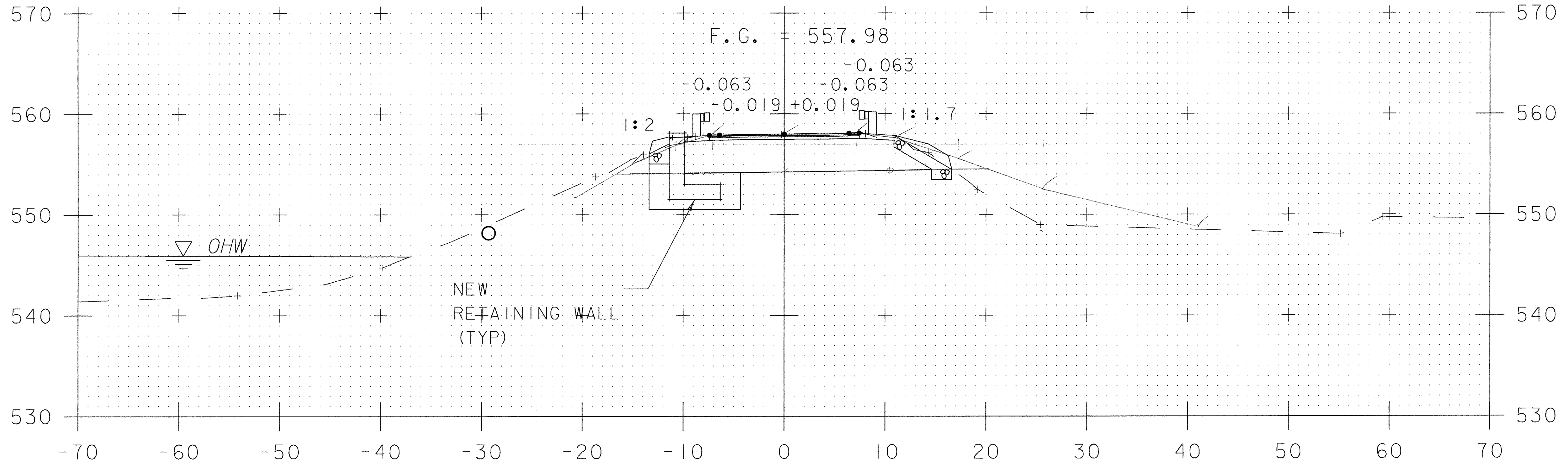


$$\frac{45}{52} (48-23.5) = 22.5 = 44.7' \cdot 0.77$$

268



12+35

103.5'

PROJECT NAME: NEWANE	
PROJECT NUMBER: BHF 0106 (4)S	
FILE NAME: s96j230conXsect.dgn	PLOT DATE: 14-OCT-2010
PROJECT LEADER: C. CARLSON	DRAWN BY: C. MOONEY
DESIGNED BY: T. LACKEY	CHECKED BY: T. LACKEY
MAINLINE CROSS SECTIONS STA. 12+35	SHEET 12 OF 14