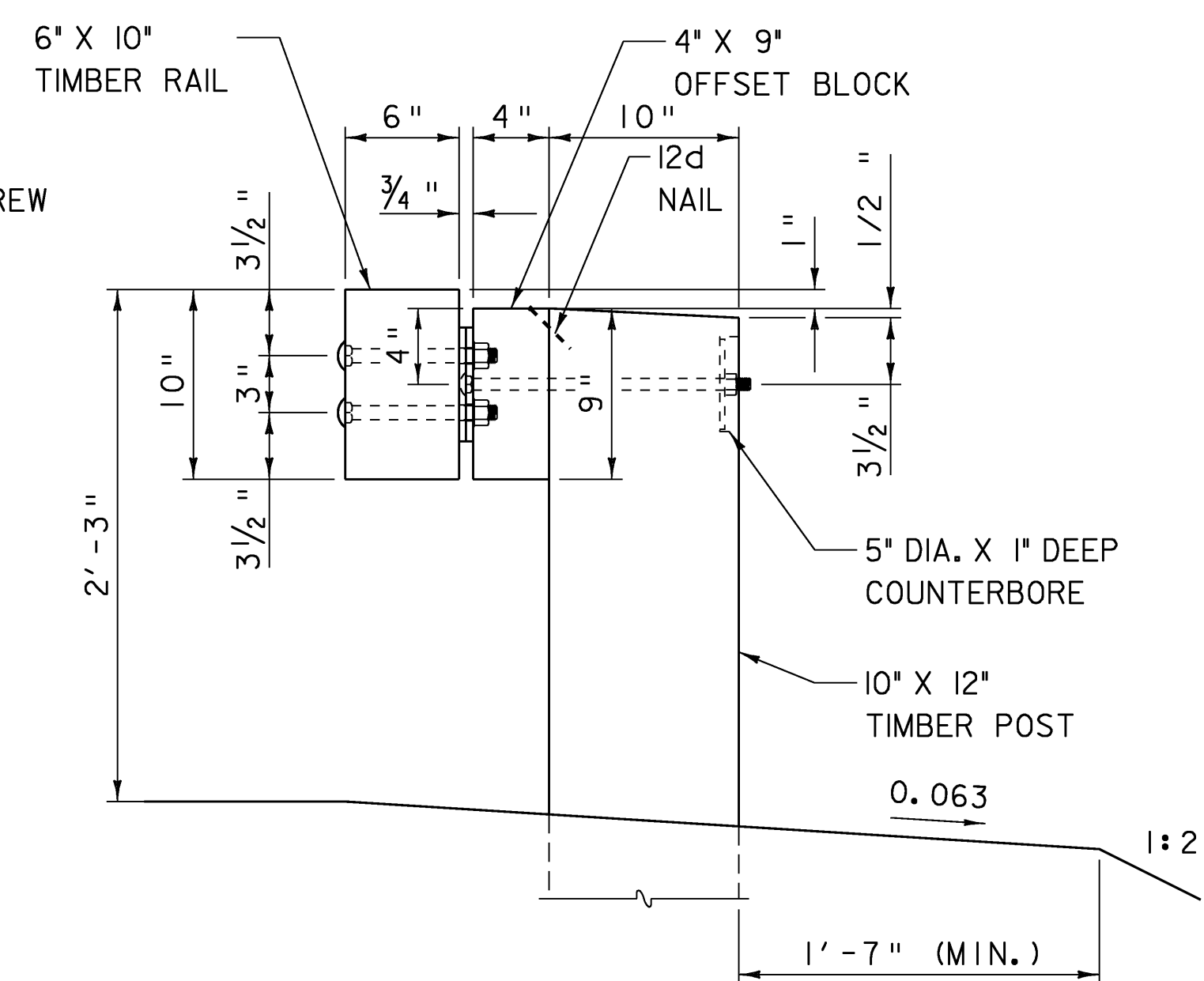
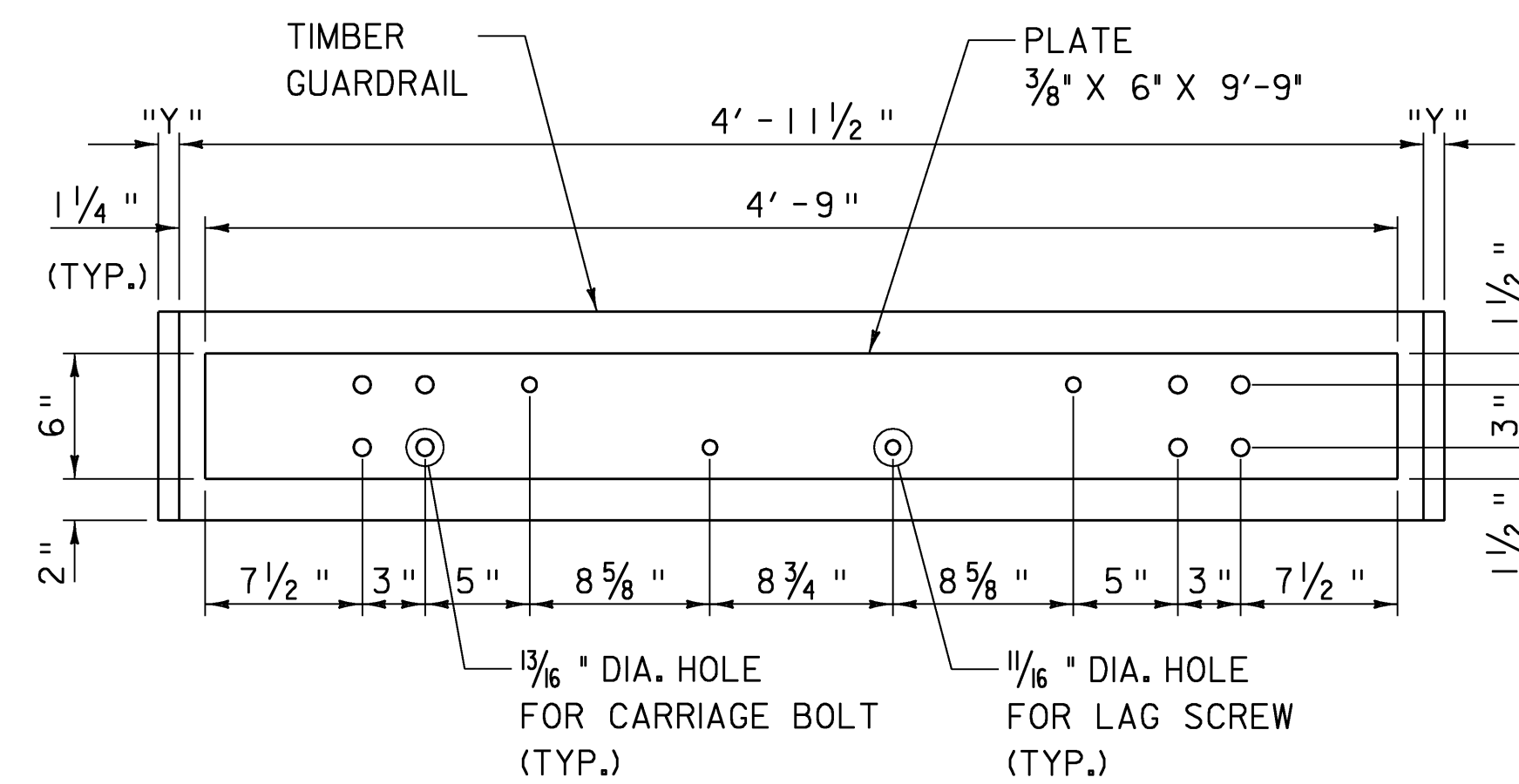


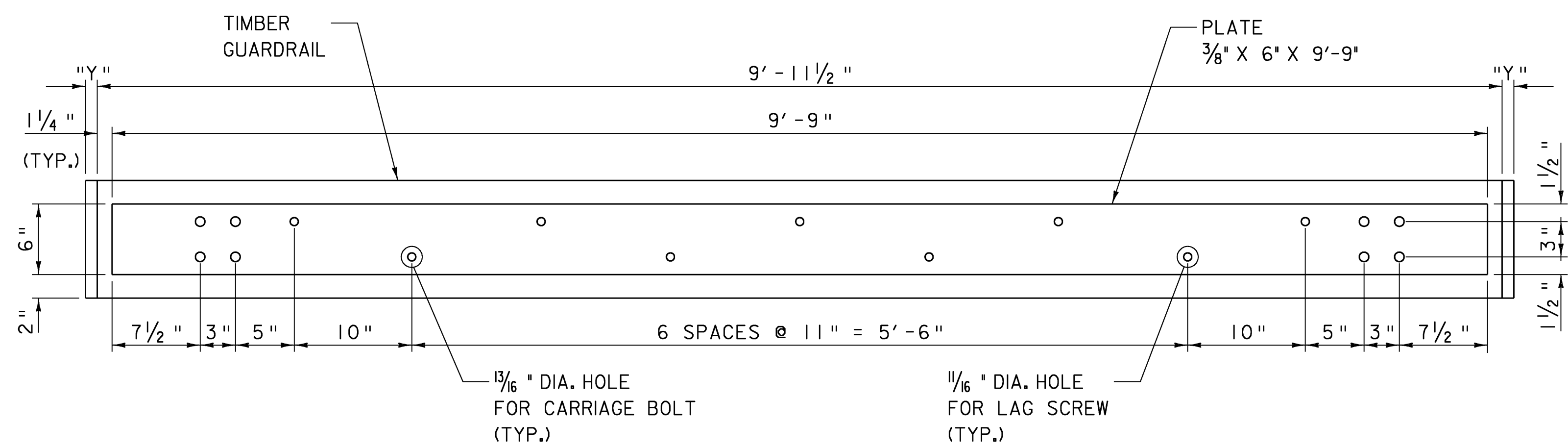
INTERMEDIATE POST CONNECTION ELEVATION



SECTION A-A



INTERMEDIATE STEEL PLATE DETAIL FOR 5'-0" POST SPACING



INTERMEDIATE STEEL PLATE DETAIL FOR 10'-0" POST SPACING

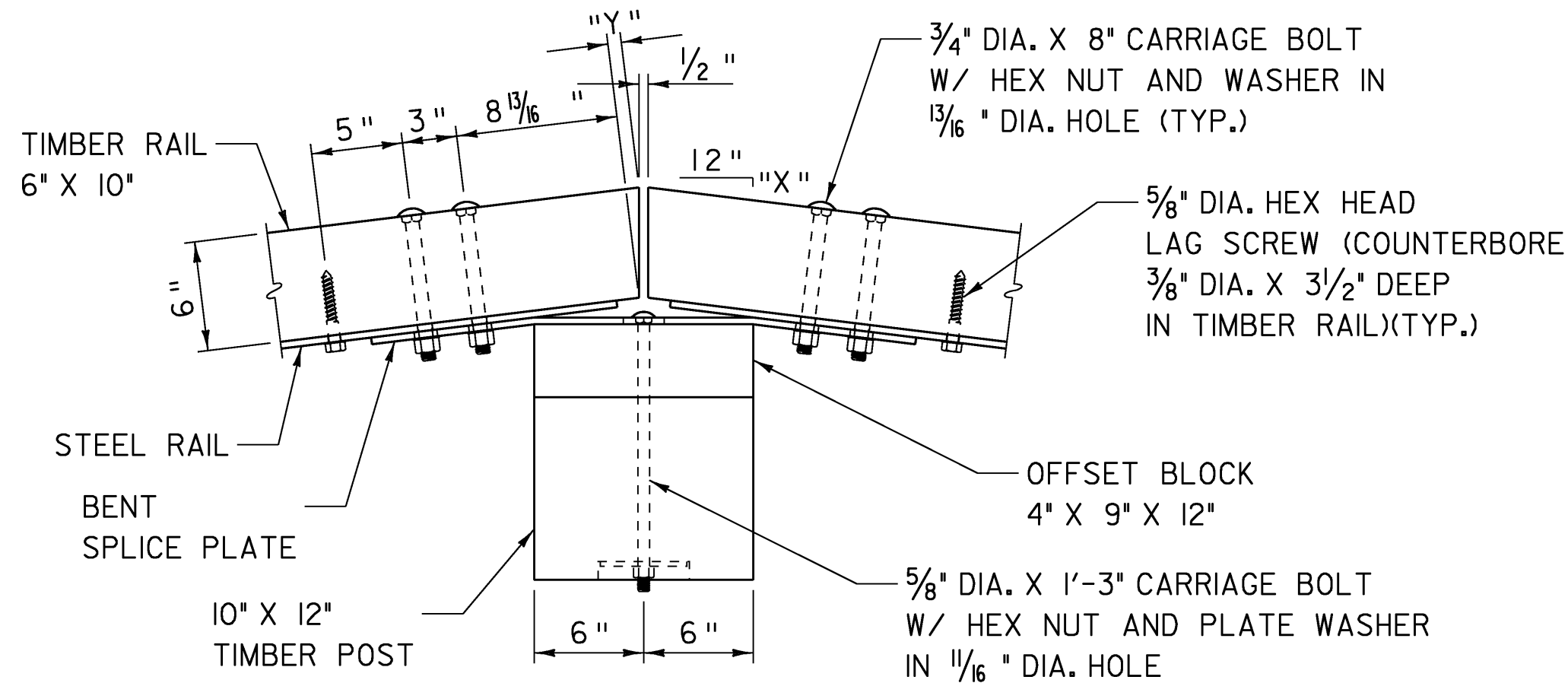
POST DIMENSION TABLES

POST NO.	*X*	*Y*
IL1	7/8"	7/16"
IL2	0"	0"
IL3	7/8"	7/16"
IL4	7/8"	7/16"
IL5	0"	0"

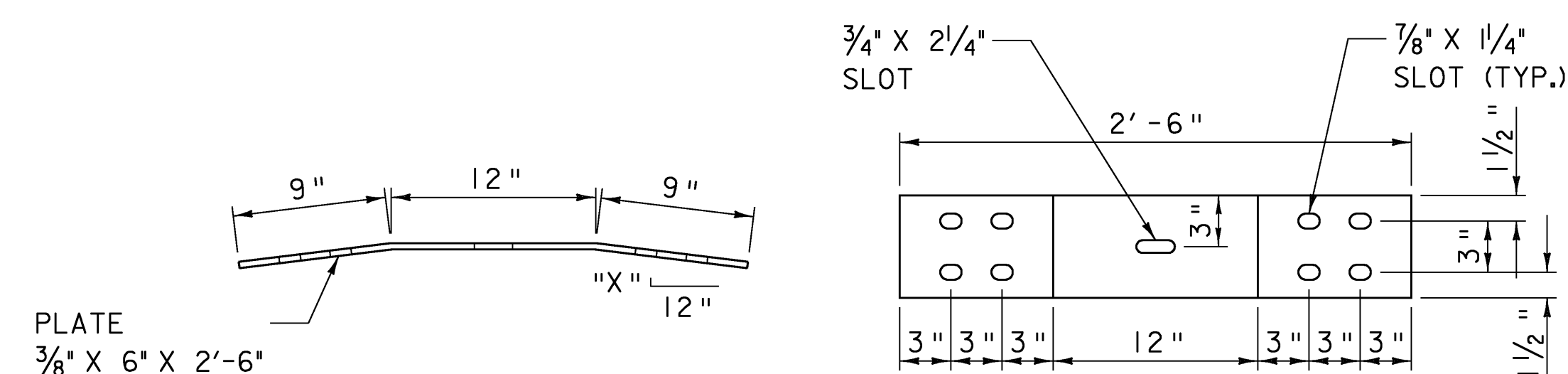
POST NO.	*X*	*Y*
IR1	7/8"	7/16"
IR2	0"	0"
IR3	0"	0"
IR4	9/16"	5/16"
IR5	9/16"	5/16"
IR6	9/16"	5/16"
IR7	9/16"	5/16"
IR8	0"	0"
IR9	0"	0"
IR10	0"	0"

POST NO.	*X*	*Y*
2L1	7/8"	7/16"
2L2	0"	0"
2L3	0"	0"

POST NO.	*X*	*Y*
2R1	7/8"	7/16"
2R2	7/8"	7/16"
2R3	7/8"	7/16"
2R4	7/8"	7/16"
2R5	7/8"	7/16"
2R6	0"	0"



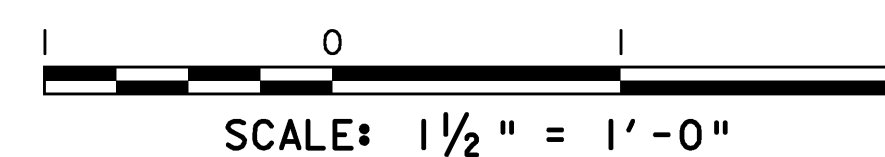
INTERMEDIATE POST CONNECTION PLAN



PLAN

ELEVATION

BENT SPLICE STEEL PLATE DETAIL



PROJECT NAME:	NEWFANE	PLOT DATE:	29-APR-2009
PROJECT NUMBER:	BHF 0106 (4)S	DRAWN BY:	STR3
FILE NAME:	s96j230r-01.dgn	DESIGNED BY:	T. LACKEY
PROJECT MANAGER:	R. WHITCOMB	CHECKED BY:	R. WHITCOMB
GUARDRAIL DETAILS 2		SHEET	56 OF 67