

END POST  
CONNECTION ELEVATION

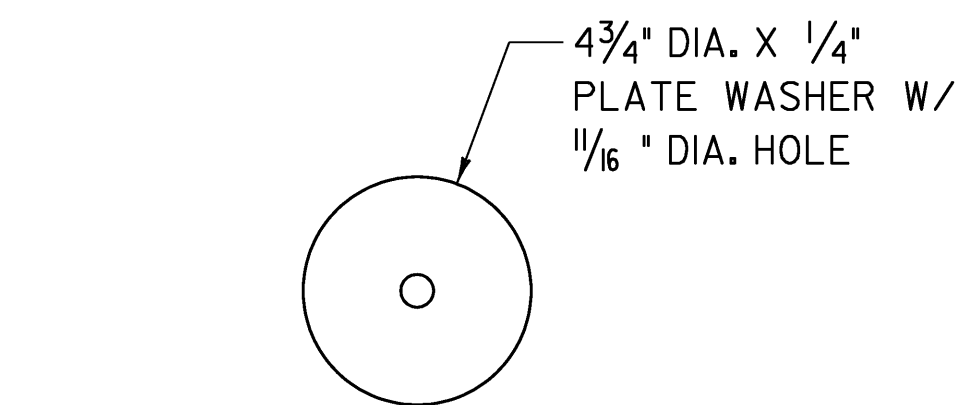
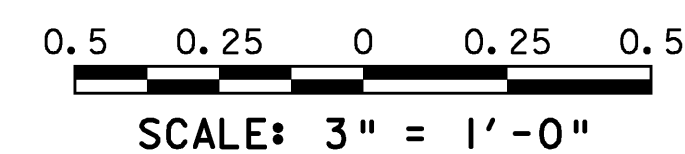
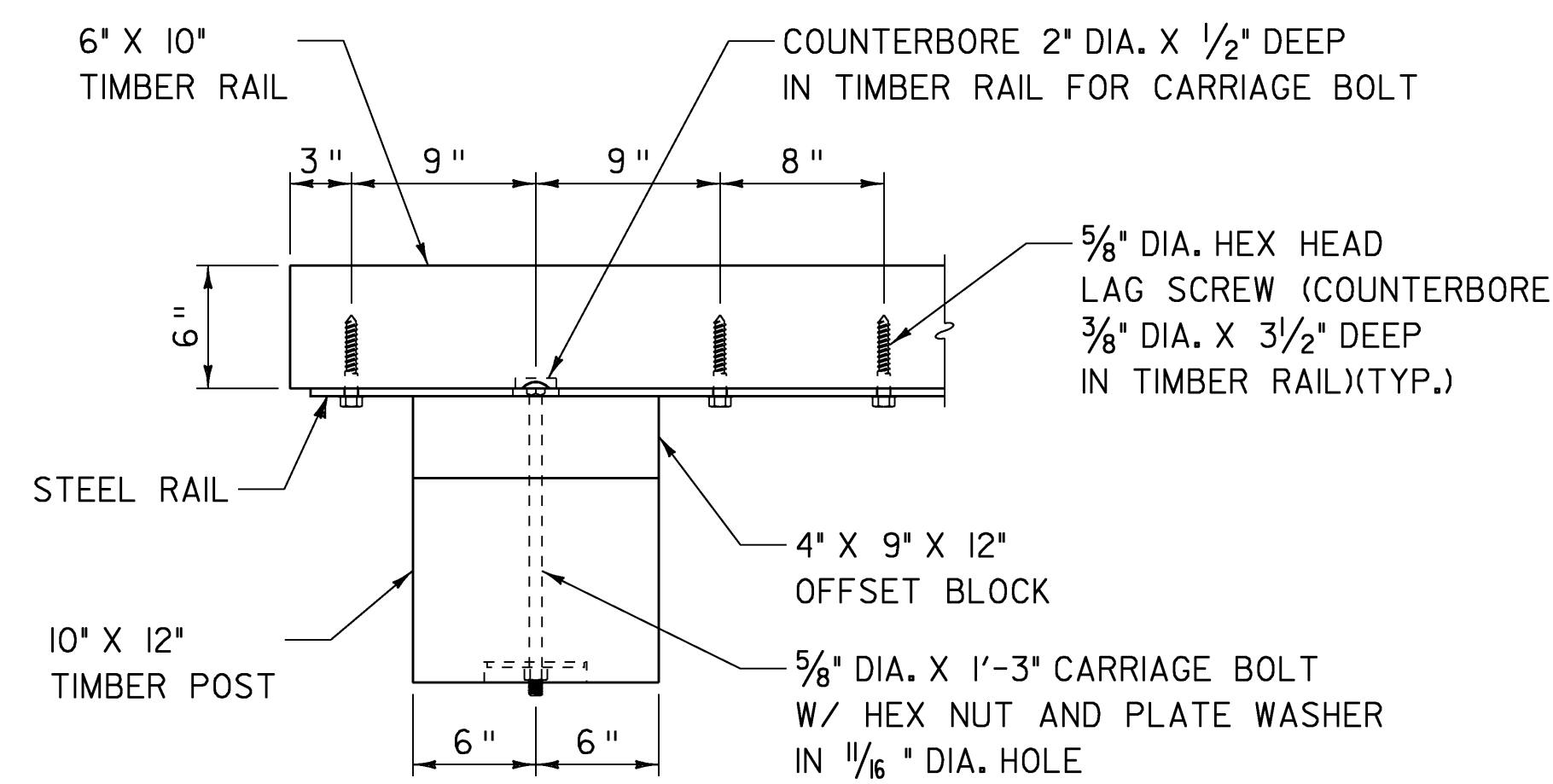


PLATE WASHER DETAIL

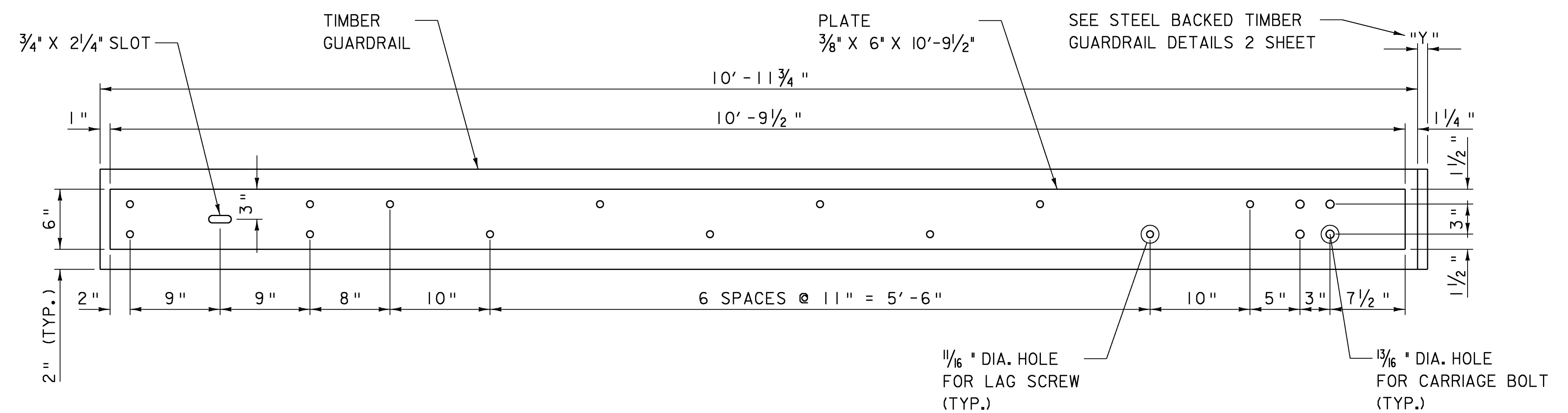


NOTES

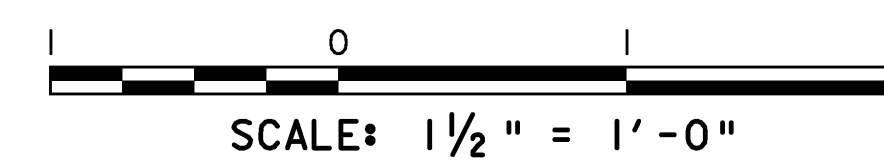
1. SEE THE 2006 GENERAL SPECIAL PROVISIONS SECTIONS 621 AND 728 FOR MORE INFORMATION ABOUT ITEM 621.18, "STEEL BACKED TIMBER GUARDRAIL".



END POST  
CONNECTION PLAN



END STEEL PLATE DETAIL  
FOR 10' -0" POST SPACING



PROJECT NAME:	NEWFANE	PLOT DATE:	29-APR-2009
PROJECT NUMBER:	BHF 0106 (4)S	DRAWN BY:	STR3
FILE NAME:	s96j230r-01.dgn	CHECKED BY:	R. WHITCOMB
PROJECT MANAGER:	R. WHITCOMB	SHEET	55 OF 67
DESIGNED BY:	T. LACKEY		
GUARDRAIL DETAILS 1			