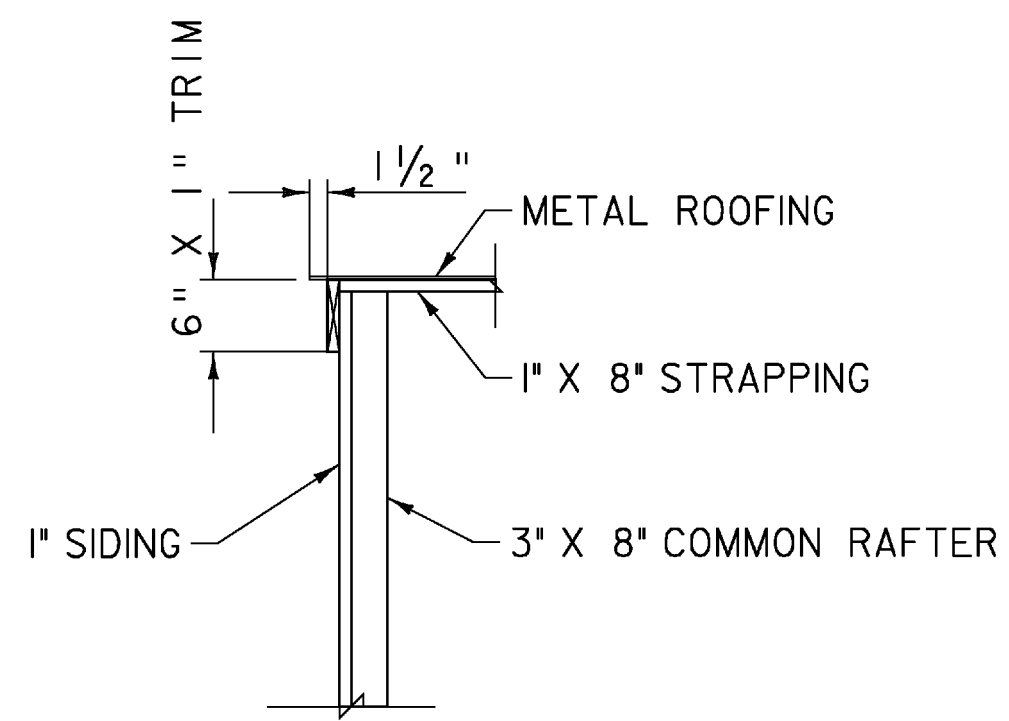


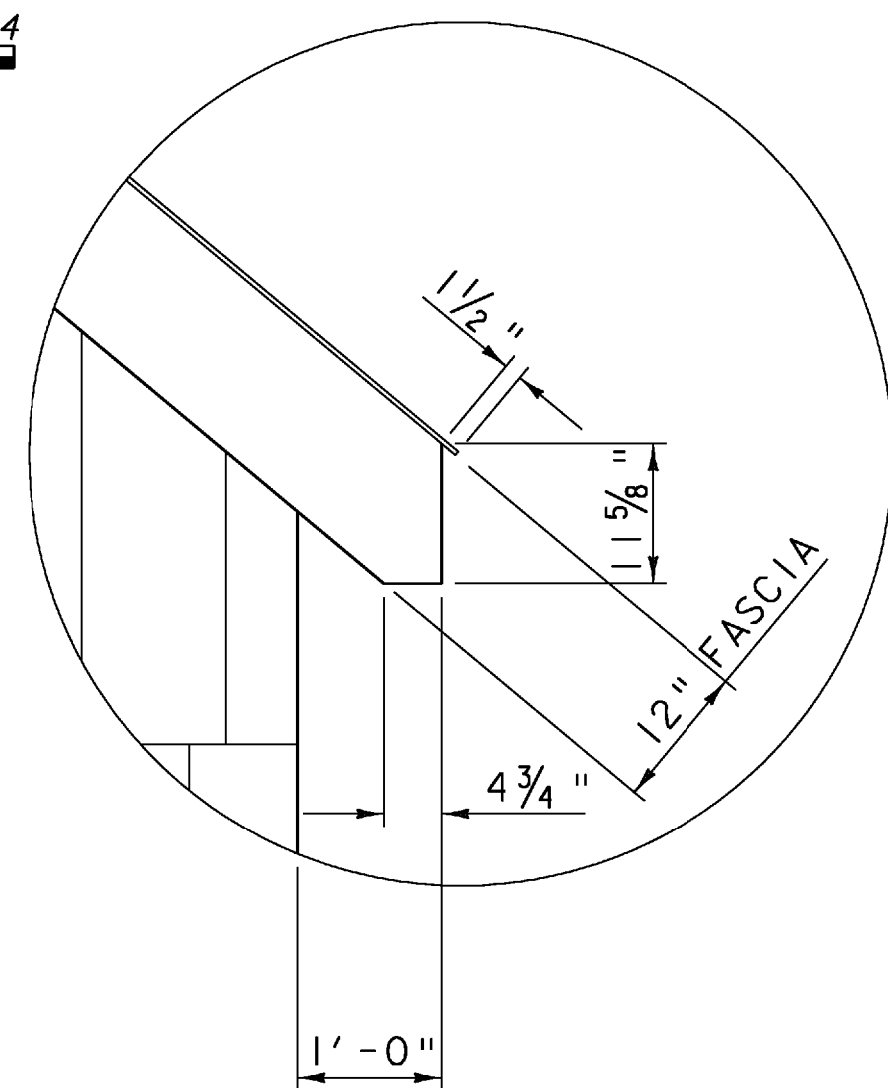
WEST PORTAL
ABUTMENT 1

SCALE $\frac{3}{8}'' = 1'-0''$



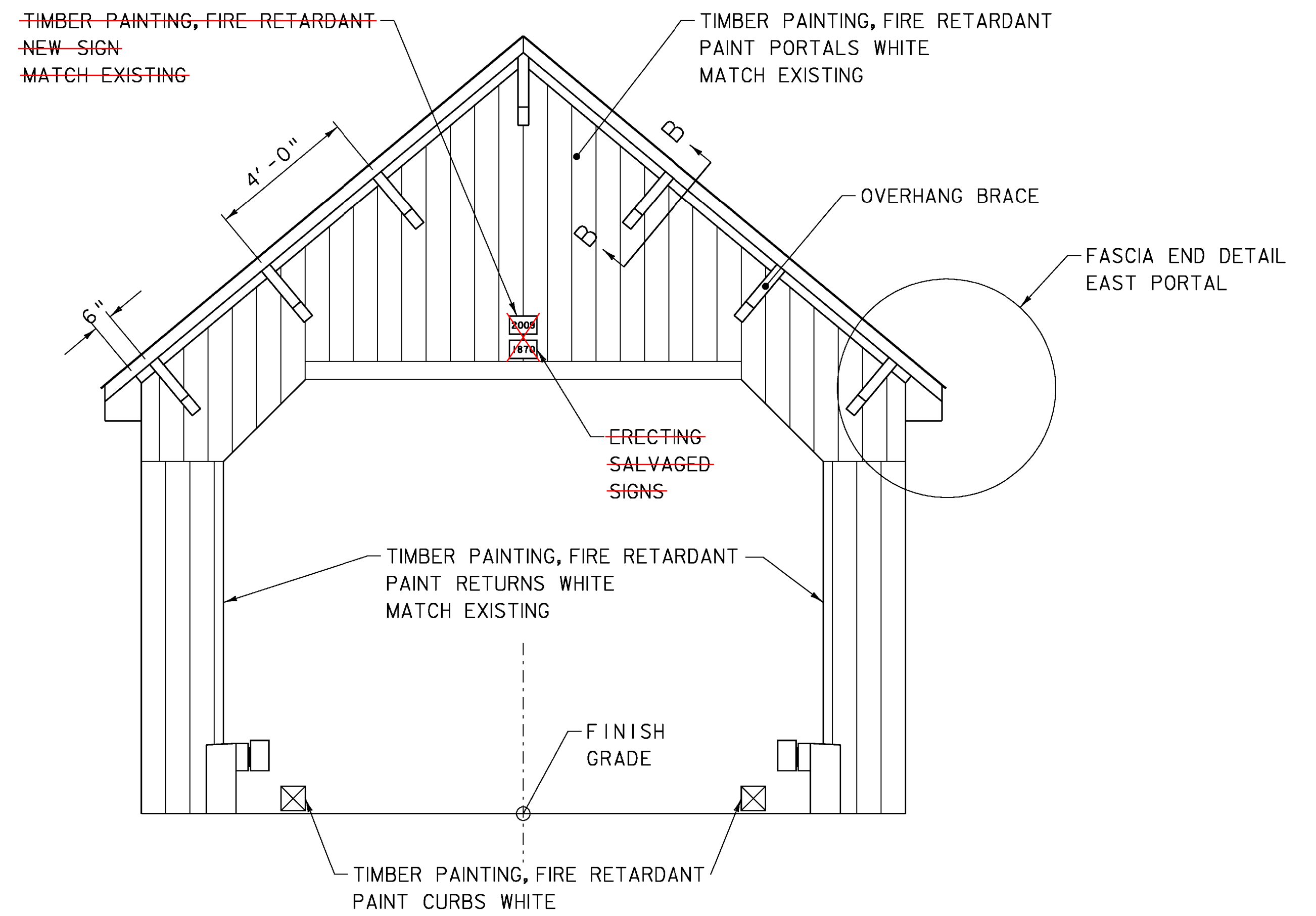
SECTION A-A
ROOF OVERHANG SECTION
WEST PORTAL

SCALE $\frac{3}{4}'' = 1'-0''$



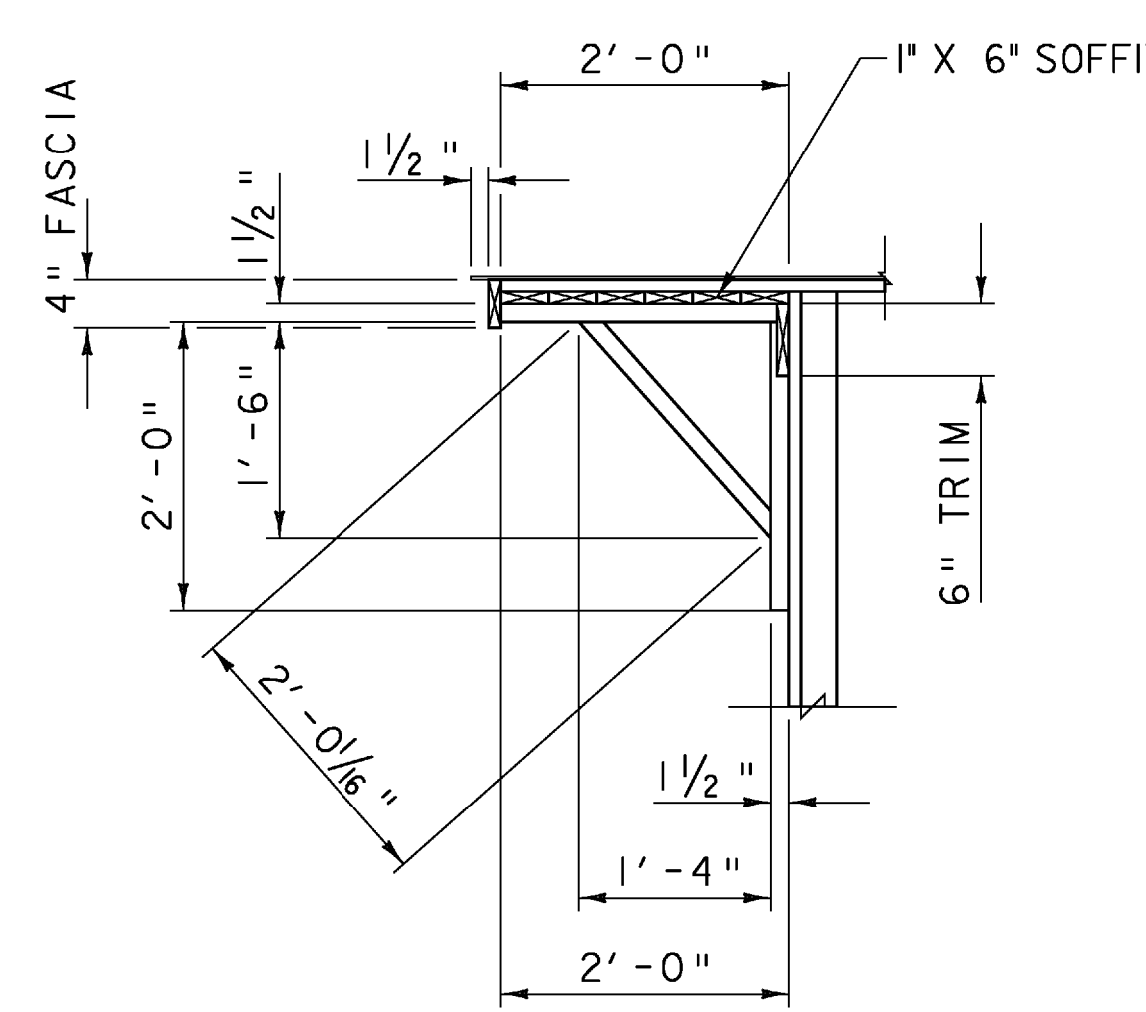
FASCIA END DETAIL
WEST PORTAL

SCALE $\frac{3}{4}'' = 1'-0''$



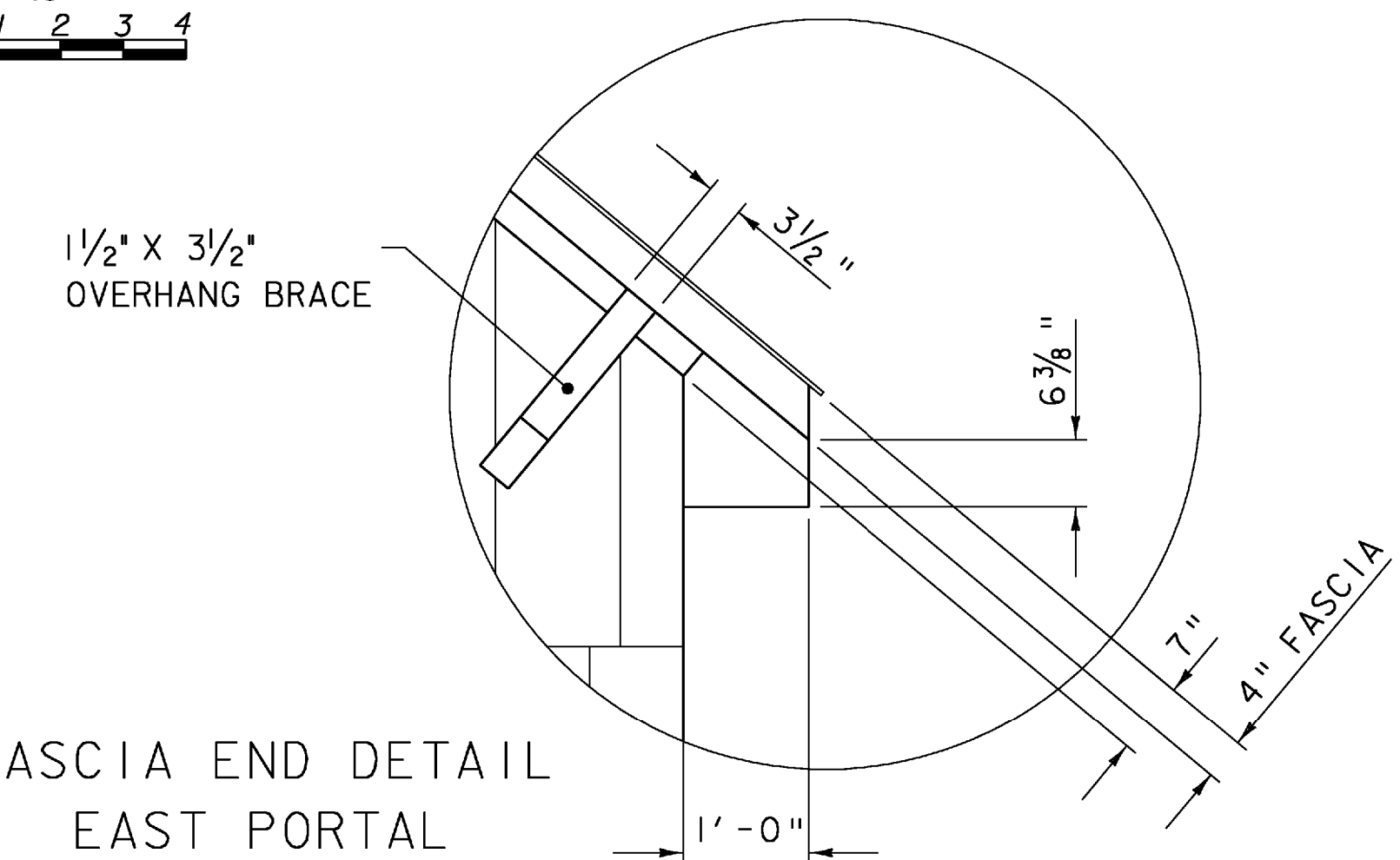
EAST PORTAL
ABUTMENT 2

SCALE $\frac{3}{8}'' = 1'-0''$



SECTION B-B
ROOF OVERHANG SECTION
EAST PORTAL

SCALE $\frac{3}{4}'' = 1'-0''$



FASCIA END DETAIL
EAST PORTAL

SCALE $\frac{3}{4}'' = 1'-0''$

PROJECT NAME: NEWFANE
PROJECT NUMBER: BHF 0106 (4)S

FILE NAME: s96j230str.dgn
PROJECT LEADER: R. WHITCOMB
DESIGNED BY: T. LACKEY
SIDING DETAILS 3

PLOT DATE: 29-APR-2009
DRAWN BY: T. LACKEY
CHECKED BY: R. WHITCOMB
SHEET 52 OF 67