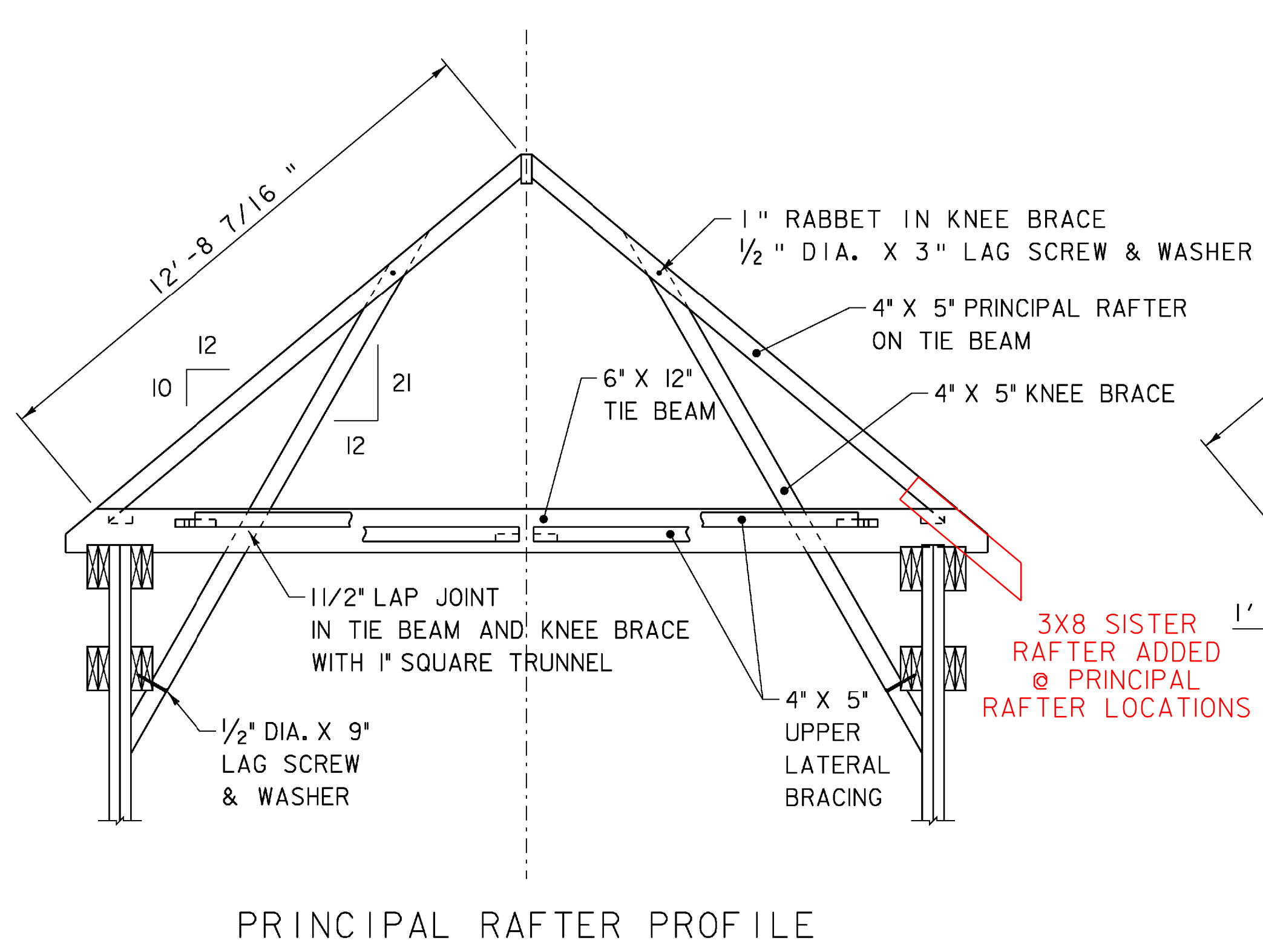
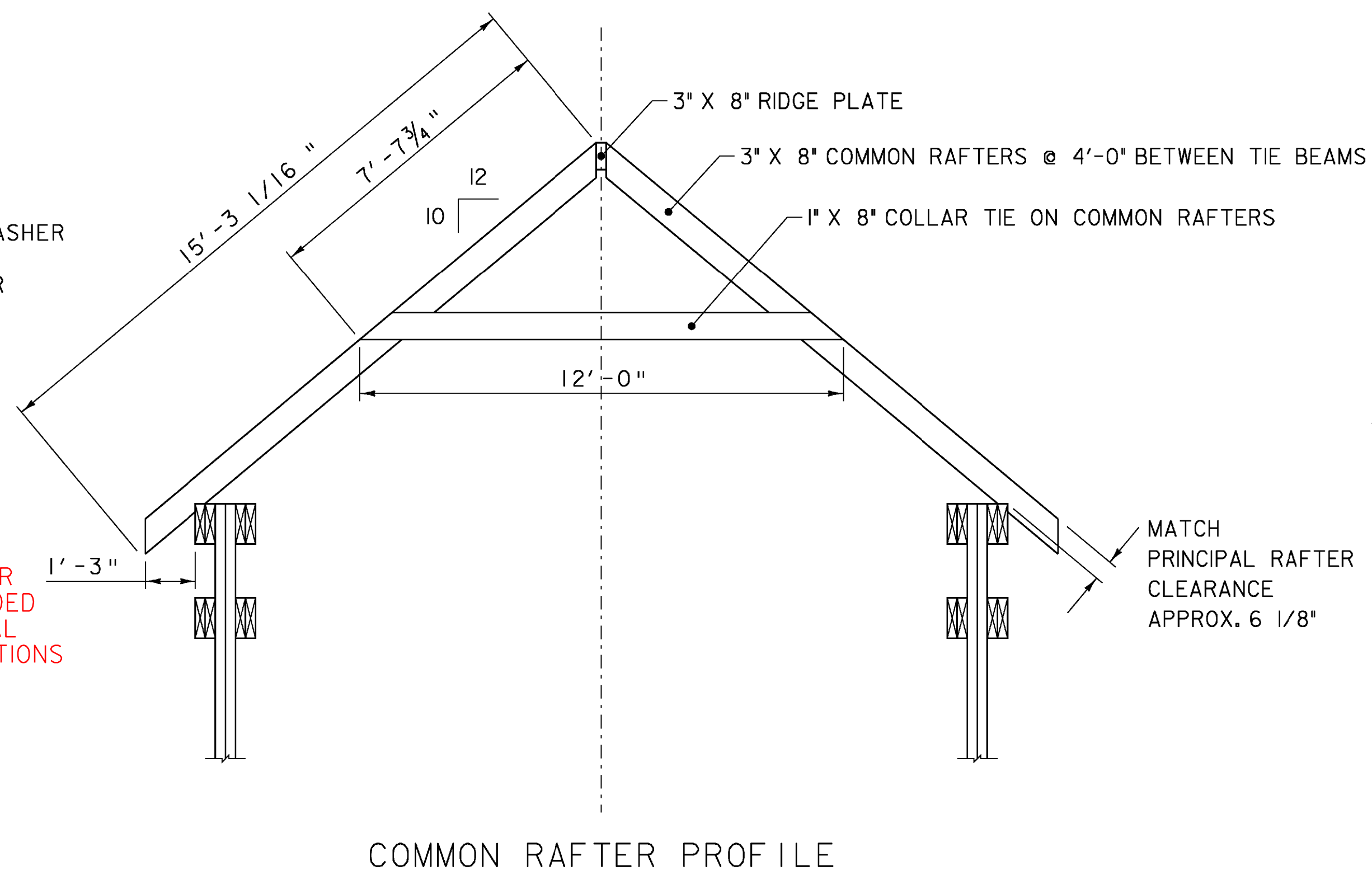


RAFTER PLAN  
 SCALE 3/16" = 1'-0"  
 1 0 2 4 6 8

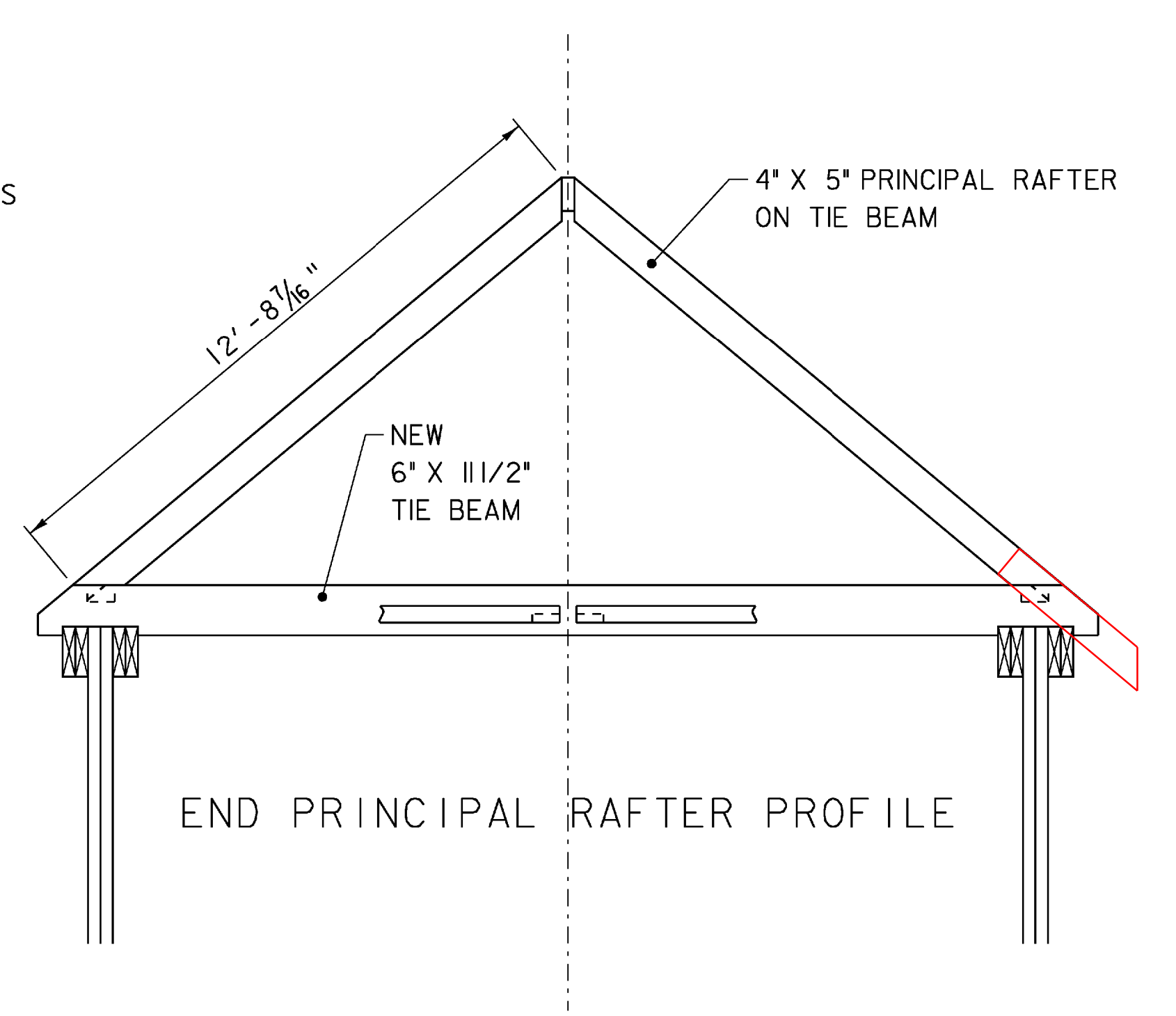


PRINCIPAL RAFTER PROFILE



COMMON RAFTER PROFILE

SCALE 3/8" = 1'-0"  
 1 0 2 3 4



END PRINCIPAL RAFTER PROFILE

PROJECT NAME:	NEWFANE	PLOT DATE:	29-APR-2009
PROJECT NUMBER:	BHF 0106 (4)S	DRAWN BY:	T. LACKEY
FILE NAME:	s96j230str.dgn	DESIGNED BY:	T. LACKEY
PROJECT LEADER:	R. WHITCOMB	CHECKED BY:	R. WHITCOMB
RAFTER DETAILS 1		SHEET 48	OF 67