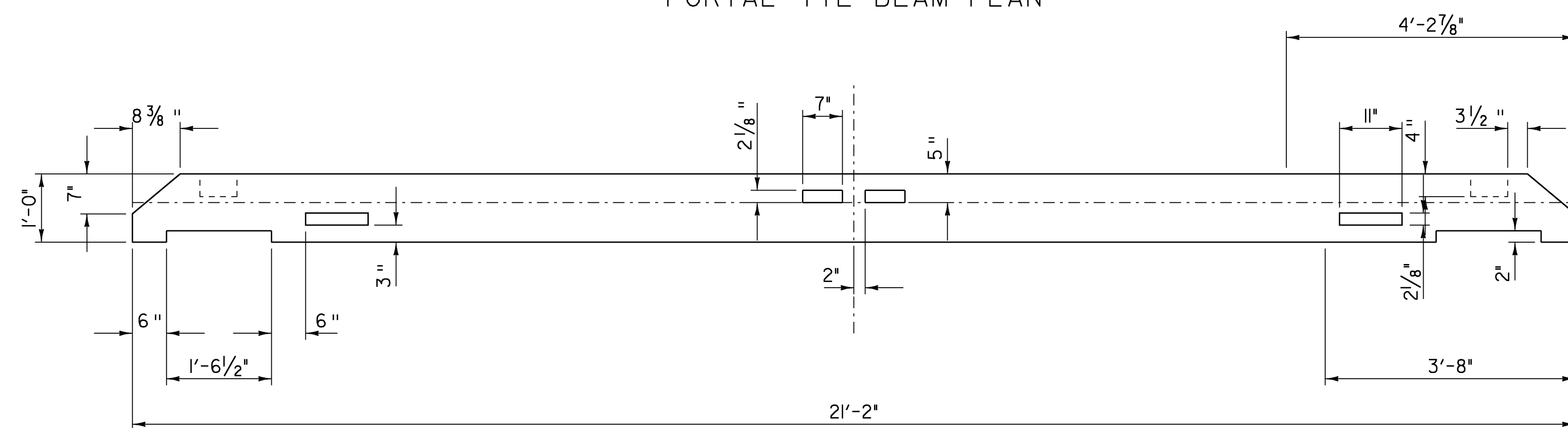
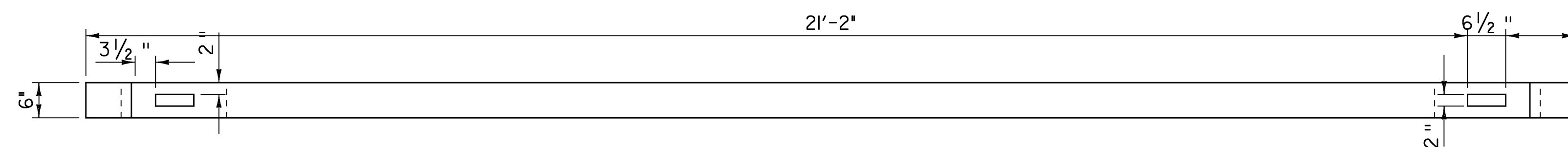


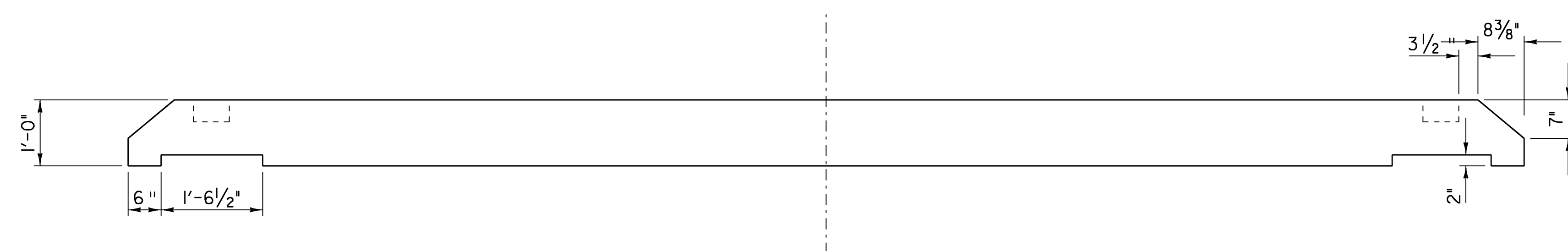
PORTAL TIE BEAM PLAN



PORTAL TIE BEAM PROFILE



SPACER TIE BEAM PLAN



SPACER TIE BEAM PROFILE

SCALE  $\frac{3}{4}$ " = 1'-0"

PROJECT NAME:	NEWFANE	PLOT DATE:	29-APR-2009
PROJECT NUMBER:	BHF 0106 (4)S	DRAWN BY:	T. LACKEY
FILE NAME:	s96j230str.dgn	DESIGNED BY:	T. LACKEY
PROJECT LEADER:	R. WHITCOMB	CHECKED BY:	R. WHITCOMB
TIE BEAM DETAILS 2		SHEET 47	OF 67