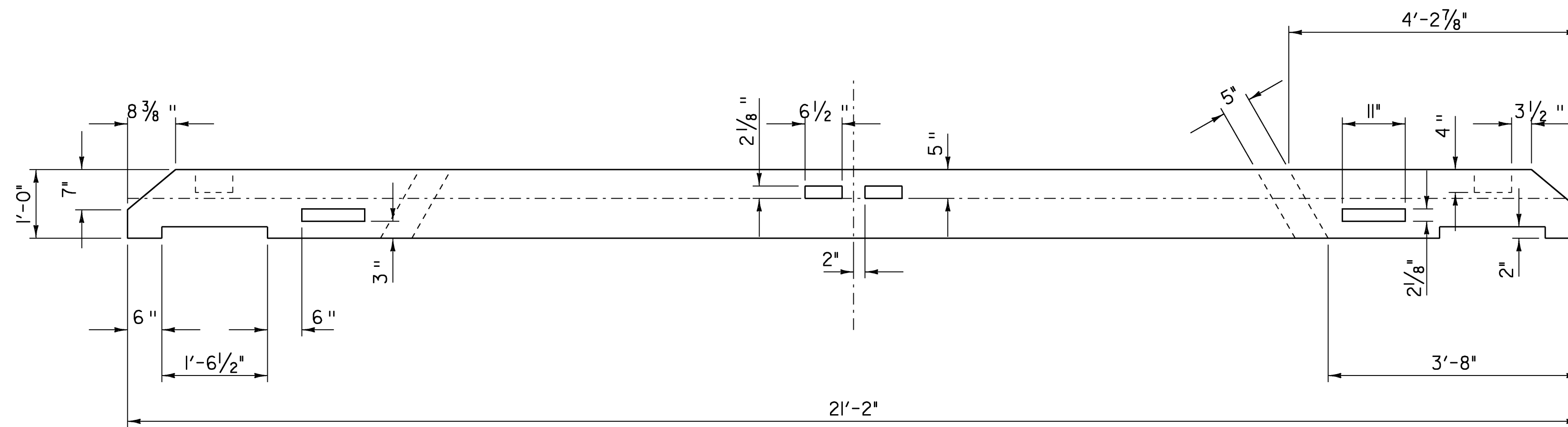
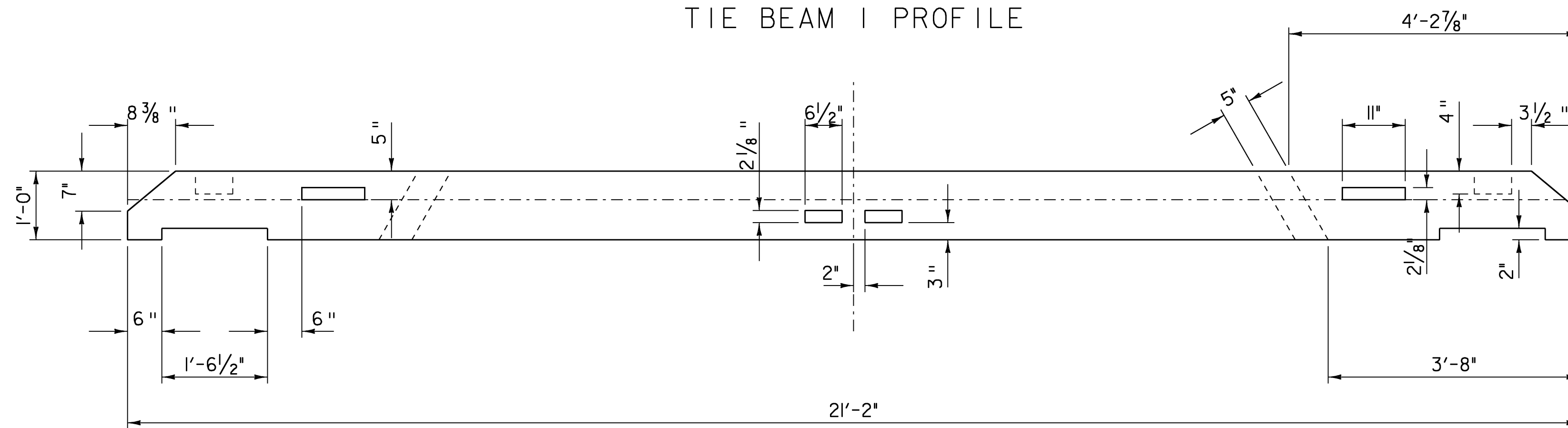


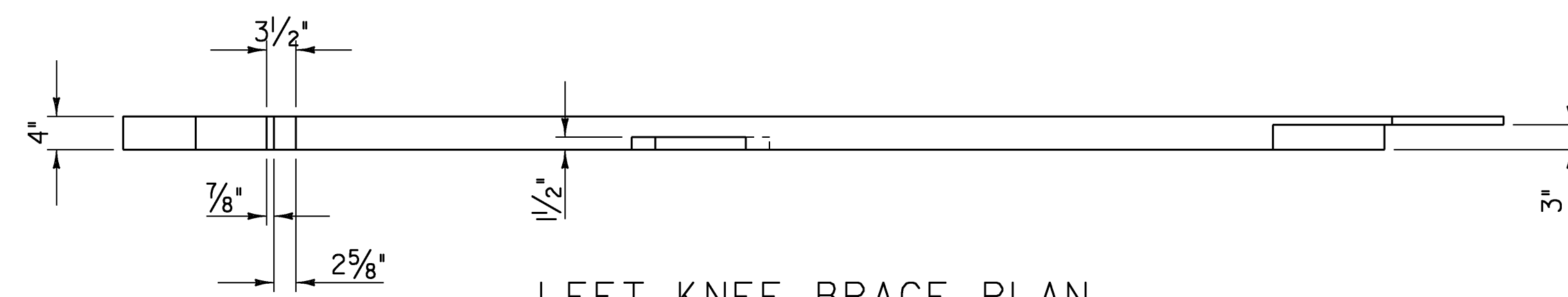
TIE BEAM 1 & 2 PLAN



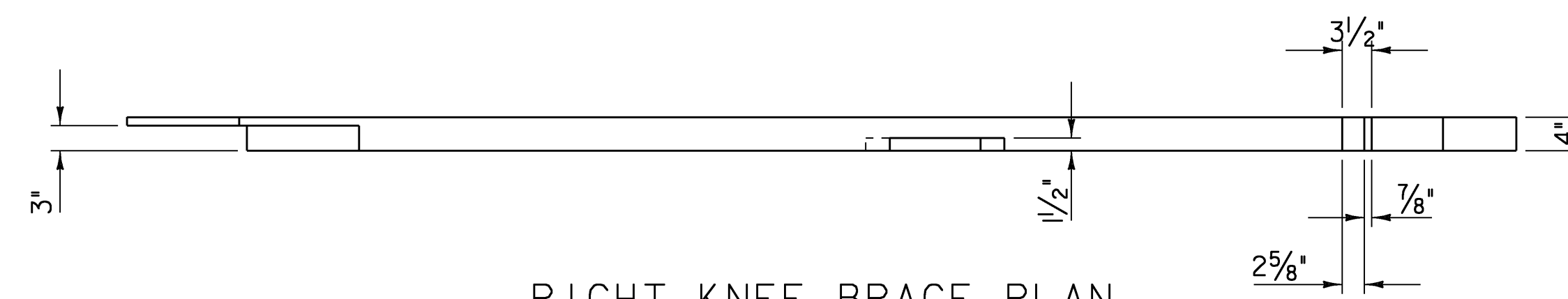
TIE BEAM 1 PROFILE



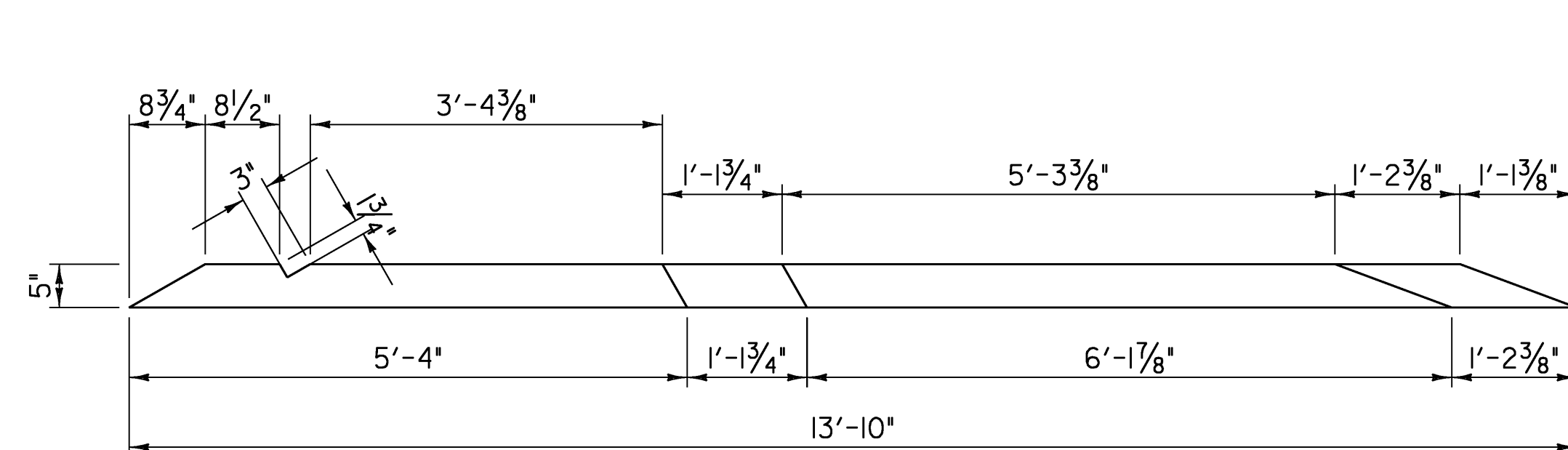
TIE BEAM 2 PROFILE



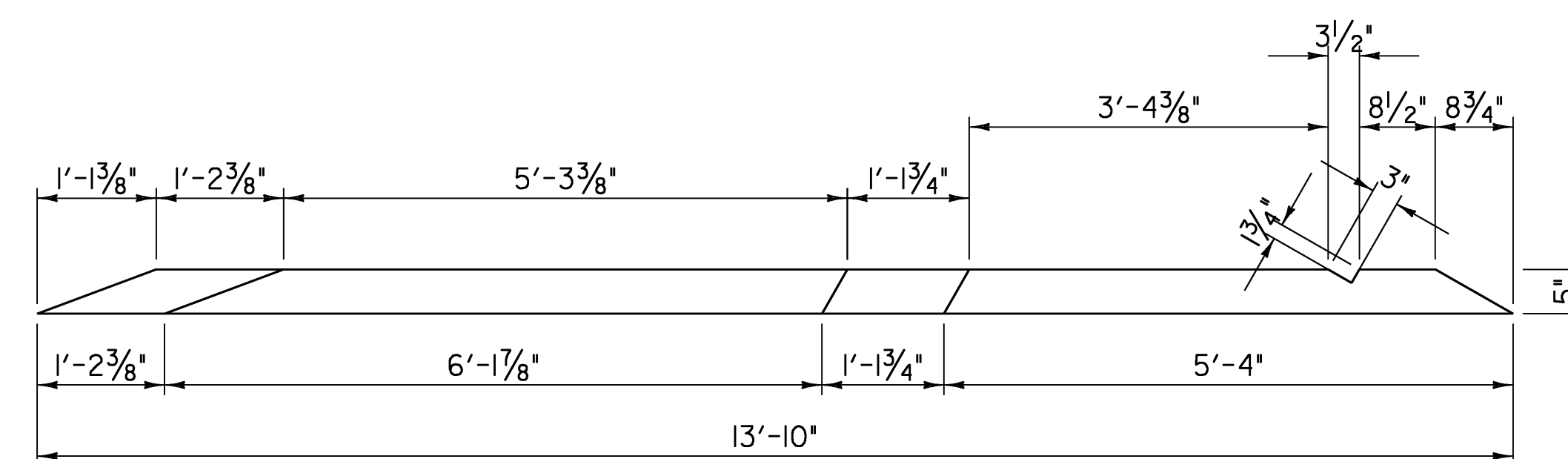
LEFT KNEE BRACE PLAN



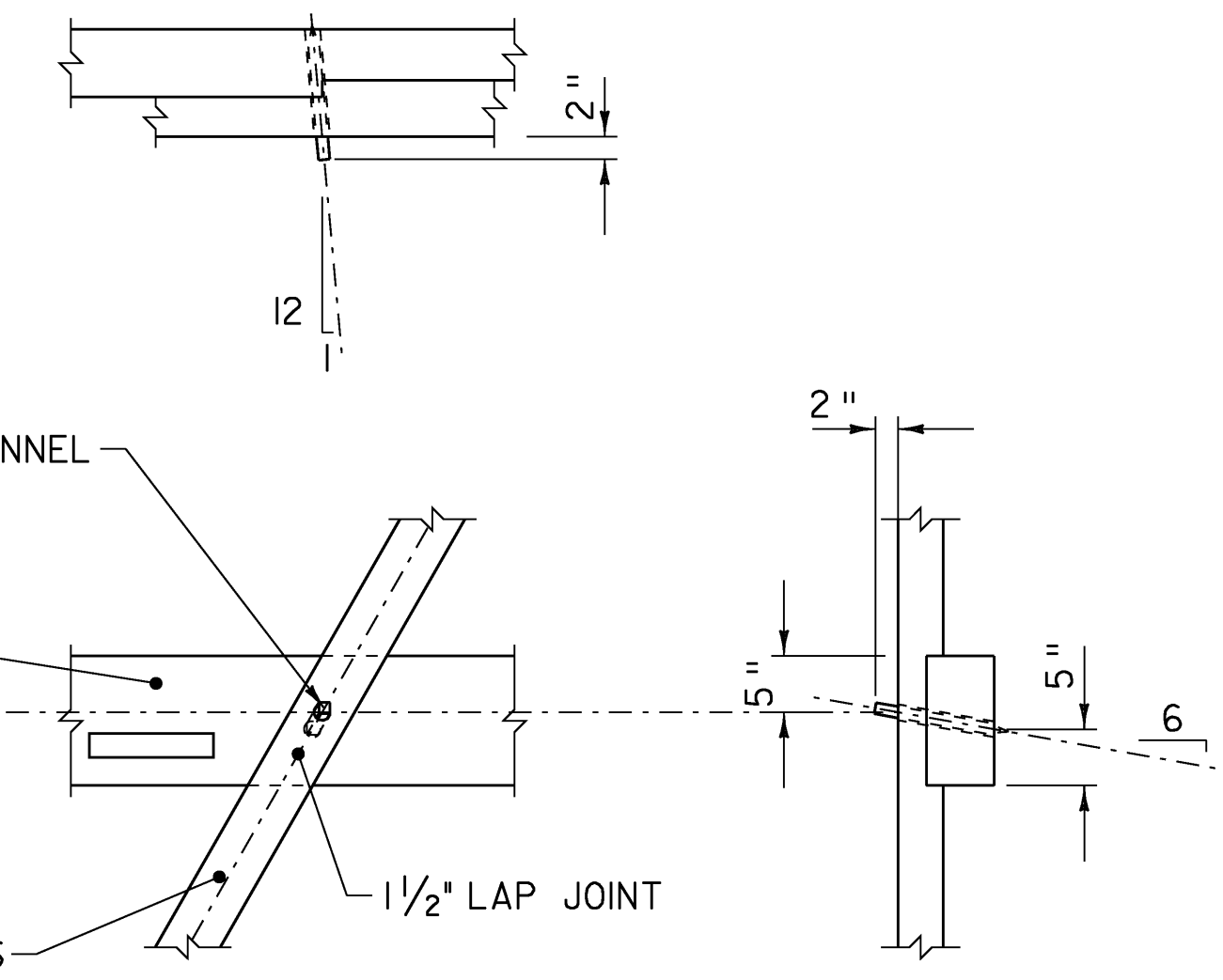
RIGHT KNEE BRACE PLAN



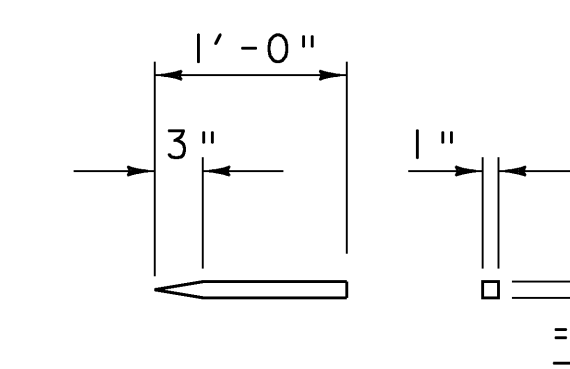
LEFT KNEE BRACE PROFILE



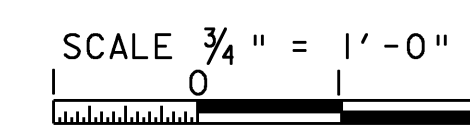
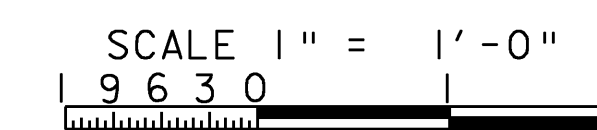
RIGHT KNEE BRACE PROFILE



TIE BEAM & KNEE BRACE JOINT DETAILS



KNEE BRACE TRUNNEL DETAIL (BASED ON EXISTING)



PROJECT NAME:	NEWFANE	PLOT DATE:	29-APR-2009
PROJECT NUMBER:	BHF 0106 (4)S	DRAWN BY:	T. LACKEY
FILE NAME:	s96j230str.dgn	CHECKED BY:	R. WHITCOMB
PROJECT LEADER:	R. WHITCOMB	TIE BEAM DETAILS I	SHEET 46 OF 67
DESIGNED BY:	T. LACKEY		