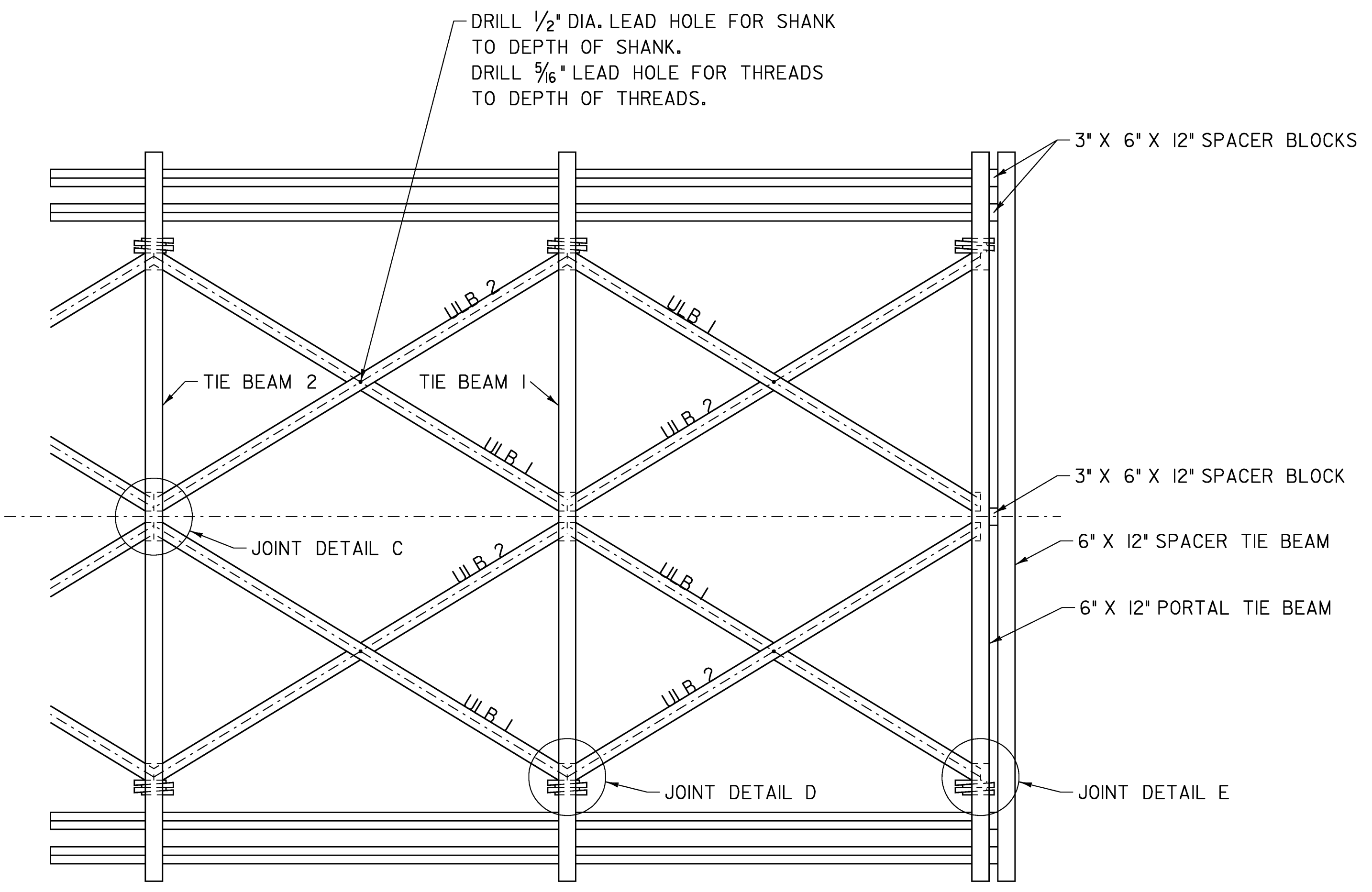
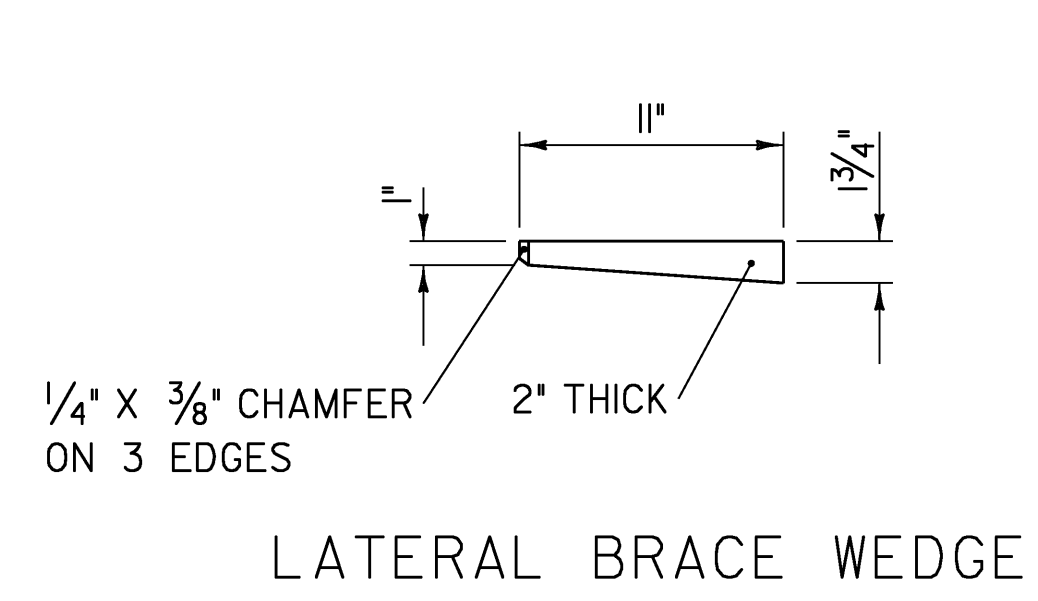


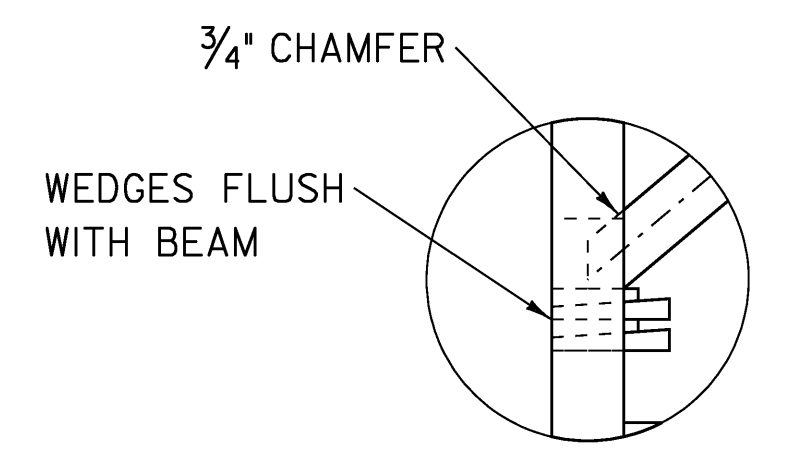
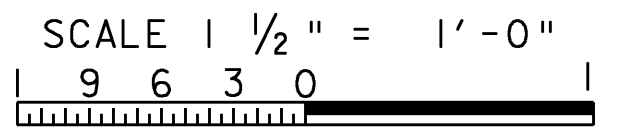
UPPER LATERAL BRACING  
ABUTMENT 1



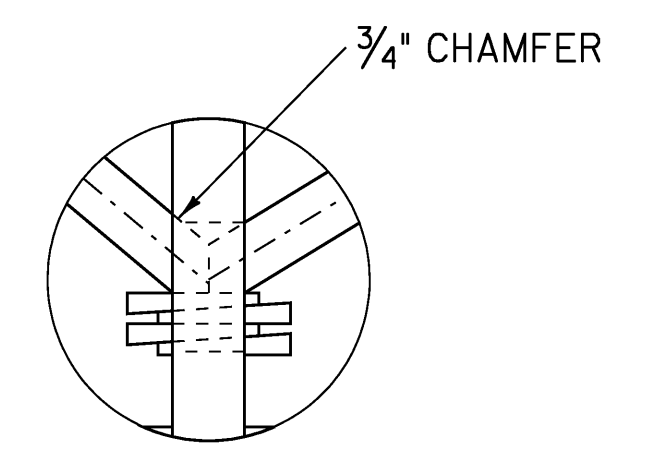
UPPER LATERAL BRACING  
ABUTMENT 2



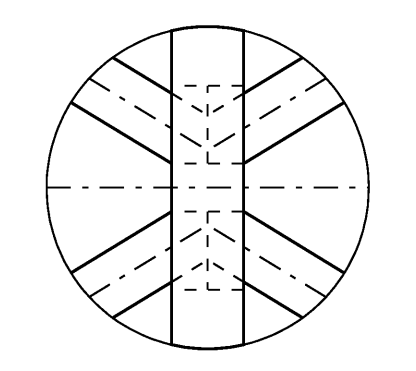
LATERAL BRACE WEDGE



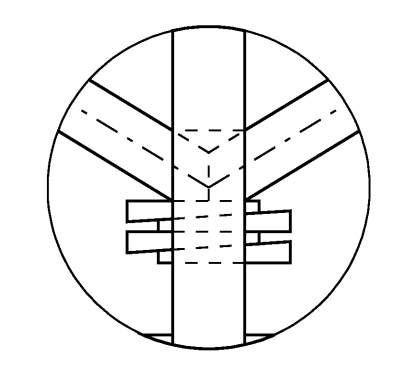
JOINT DETAIL A



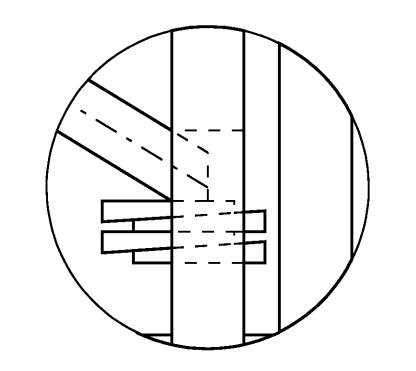
JOINT DETAIL B



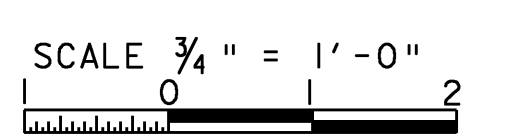
JOINT DETAIL C



JOINT DETAIL D



JOINT DETAIL E



PROJECT NAME:	NEWFANE
PROJECT NUMBER:	BHF 0106 (4)S
FILE NAME:	s96j230str.dgn
PROJECT LEADER:	R. WHITCOMB
DESIGNED BY:	T. LACKEY
UPPER LATERAL BRACING DETAILS 2	
PLOT DATE:	29-APR-2009
DRAWN BY:	T. LACKEY
CHECKED BY:	R. WHITCOMB
SHEET 44	OF 67