

UPPER LATERAL BRACING PLAN

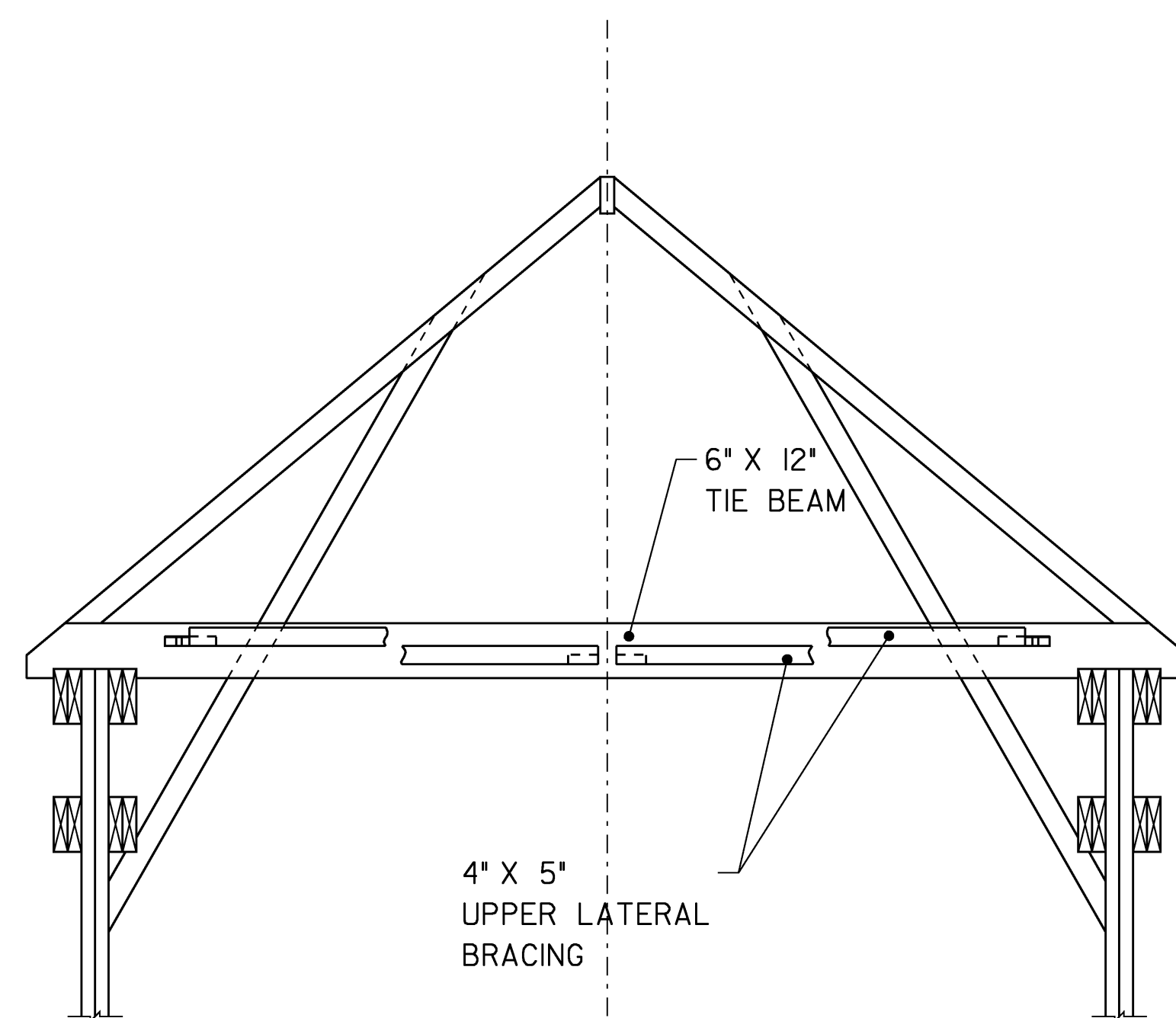
SCALE $\frac{3}{16}$ " = 1'-0"
 1 0 2 4 6 8

TIE BEAM LEGEND

- TIE BEAM 1
- TIE BEAM 2
- PORTAL TIE BEAM
- SPACER TIE BEAM

LATERAL BRACE LEGEND

- UPPER LATERAL BRACE 1
- UPPER LATERAL BRACE 2
- UPPER LATERAL BRACE 3
- UPPER LATERAL BRACE 4



TIE BEAM PROFILE

SCALE $\frac{3}{8}$ " = 1'-0"
 1 0 1 2 3 4

PROJECT NAME: NEWFANE	PLOT DATE: 29-APR-2009
PROJECT NUMBER: BHF 0106 (4)S	DRAWN BY: T. LACKEY
FILE NAME: s96j230str.dgn	CHECKED BY: R. WHITCOMB
PROJECT LEADER: R. WHITCOMB	UPPER LATERAL BRACING DETAILS 1
DESIGNED BY: T. LACKEY	SHEET 43 OF 67